

13345

KIA SEDONA / HYUNDAI ENTOURAGE

(FITS LONG WHEEL
BASE ONLY! 119")

7/16/2012

GROSS LOAD CAPACITY WHEN USED AS A WEIGHT CARRYING HITCH: 3,500 LBS. TRAILER WEIGHT & 350 LBS. TONGUE WEIGHT.
GROSS LOAD CAPACITY WHEN USED AS A WEIGHT DISTRIBUTION HITCH: 4,000 LBS. TRAILER WEIGHT & 400 LBS. TONGUE WEIGHT

DO NOT EXCEED VEHICLE MANUFACTURER'S RECOMMENDED TOWING CAPACITY.

Parts List			
ITEM	QTY	PART NUMBER	DESCRIPTION
1	6	M12-1.25 x 30mm	HEX BOLT
2	6	1/2"	CONICAL TOOTHED WASHER

RUBBER ISOLATOR REMOVAL DIAGRAM

This technique can be used if an Exhaust Hanger Removal Pliers is not available.

Using a 5/8" open end wrench, slide the wrench up to the rubber isolator, cradling the hanger rod as shown. Next place the flat edge of a pry bar between the wrench and the hanger stop or hanger rod. Then simply rotate the pry bar toward the wrench to remove the rubber isolator.

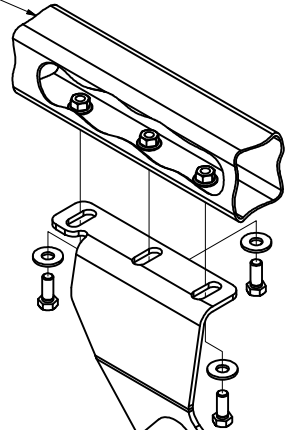
Note: Using a spray lubricant or soapy water on the hanger rod and the rubber isolator helps removal.



TOOLS REQUIRED

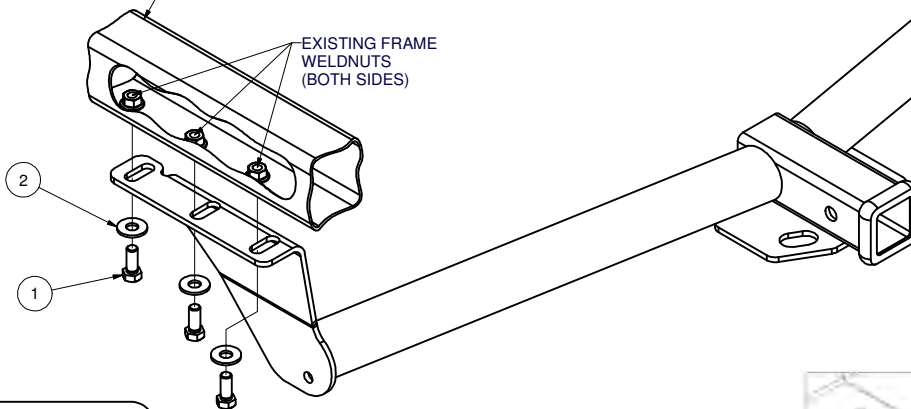
RATCHET
19mm SOCKET
TORQUE WRENCH

PASSENGER SIDE FRAME RAIL



DRIVER SIDE FRAME RAIL

EXISTING FRAME
WELDNUTS
(BOTH SIDES)



HITCH WEIGHT: 35 LBS.

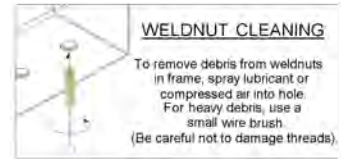
INSTALL TIME: 15 MINUTES

INSTALL NOTES:

- NO DRILLING REQUIRED
- LOWER EXHAUST FOR EASE OF INSTALL

WELDNUT CLEANING

To remove debris from weldnuts in frame, spray lubricant or compressed air into hole. For heavy debris, use a small wire brush. (Be careful not to damage threads).



INSTALLATION STEPS

- 1) Remove the exhaust from it's hangers to provide access to frame fastener locations.
- 2) Raise hitch on the passenger side over exhaust pipe and rotate hitch into position.
- 3) Secure hitch by loosely installing all (6) 12mm hex bolts and (6) conical washers as shown.
- 4) Push hitch forward against installed bolts.
- 5) Torque all 12mm fasteners to 86 ft-lb.
- 6) Re-attach previously removed exhaust hangers.

PERIODICALLY CHECK THIS RECEIVER HITCH TO ENSURE THAT ALL FASTENERS ARE TIGHT AND THAT ALL STRUCTURAL COMPONENTS ARE SOUND.

Curt Manufacturing Inc., warrants this product to be free of defects in material and/or workmanship at the time of retail purchase by the original purchaser. If the product is found to be defective, Curt Manufacturing Inc., may repair or replace the product, at their option, when the product is returned, prepaid, with proof of purchase. Alteration to, misuse of, or improper installation of this product voids the warranty. Curt Manufacturing Inc.'s liability is limited to repair or replacement of products found to be defective, and specifically excludes liability for incidental or consequential loss or damage.