

13349

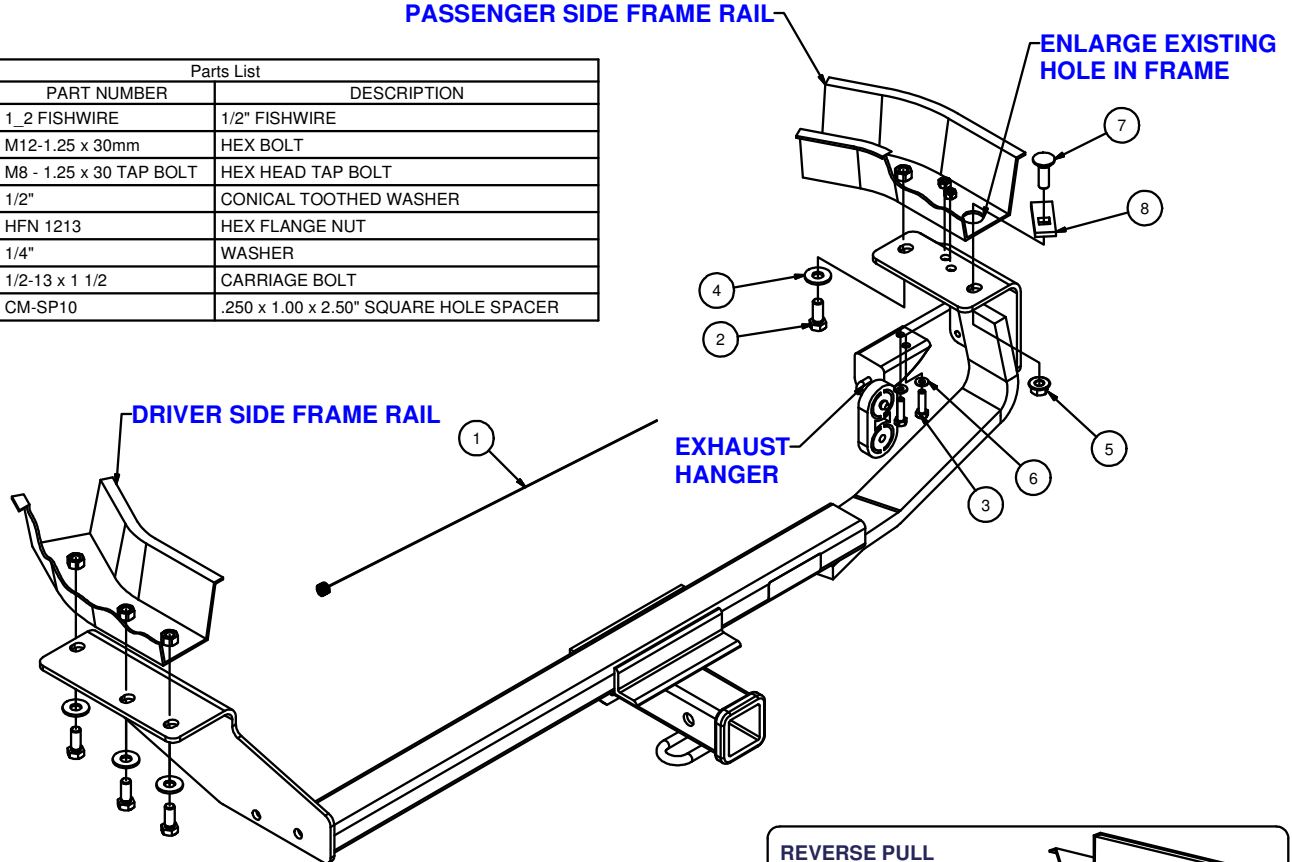
KIA SEDONA (113.8") SHORT WHEEL BASE

11/19/2012

GROSS LOAD CAPACITY WHEN USED AS A WEIGHT CARRYING HITCH: 3500 LBS. TRAILER WEIGHT & 350 LBS. TONGUE WEIGHT.
*****DO NOT EXCEED VEHICLE MANUFACTURER'S RECOMMENDED TOWING CAPACITY.*****

PASSENGER SIDE FRAME RAIL

Parts List			
ITEM	QTY	PART NUMBER	DESCRIPTION
1	1	1_2 FISHWIRE	1/2" FISHWIRE
2	4	M12-1.25 x 30mm	HEX BOLT
3	2	M8 - 1.25 x 30 TAP BOLT	HEX HEAD TAP BOLT
4	4	1/2"	CONICAL TOOTHED WASHER
5	1	HFN 1213	HEX FLANGE NUT
6	2	1/4"	WASHER
7	1	1/2-13 x 1 1/2	CARRIAGE BOLT
8	1	CM-SP10	.250 x 1.00 x 2.50" SQUARE HOLE SPACER



HITCH WEIGHT: 44 LBS.

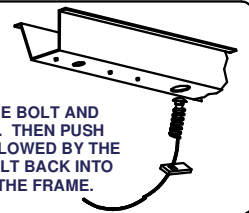
INSTALL TIME: 30 MINUTES

INSTALL NOTES:

- LOWER EXHAUST
- ENLARGE EXISTING HOLE
- FISHWIRING REQUIRED

**REVERSE PULL
FISHWIRE TECHNIQUE**

TO FISHWIRE CENTER SLOT, ATTACH FISHWIRE TO CARRIAGE BOLT AND SLIDE SPACER ONTO FISHWIRE. THEN PUSH THE BOLT THRU THE HOLE FOLLOWED BY THE SPACER (AS SHOWN). PULL BOLT BACK INTO POSITION, PROTRUDING FROM THE FRAME.


INSTALLATION STEPS

- 1) Remove tow hook on driver side frame rail and return it to customer.
- 2) Lower exhaust bracket by removing two M8 bolts from frame rail on passenger side of vehicle.
- 3) Enlarge existing hole on passenger side frame rail with 1" hole saw. When enlarged, reverse fishwire a 1/2 - 13 x 1 1/2" carriage bolt and CM-SP10 spacer into enlarged hole as shown in illustrations above.
- 4) Raise hitch into position. Finger tight 1/2" flange nut on carriage bolt and proceed to finger tight all M12 bolts as shown in illustrations above.
- 5) Raise exhaust hanger back into position and finger tight to the sideplate with Curt supplied M8 bolts.
- 6) Torque 1/2" hardware to 110 ft.-lb., M12 hardware to 86 ft.-lb., and M8 hardware to 23 ft.-lb.

PERIODICALLY CHECK THIS RECEIVER HITCH TO ENSURE THAT ALL FASTENERS ARE TIGHT AND THAT ALL STRUCTURAL COMPONENTS ARE SOUND.

Curt Manufacturing Inc., warrants this product to be free of defects in material and/or workmanship at the time of retail purchase by the original purchaser. If the product is found to be defective, Curt Manufacturing Inc., may repair or replace the product, at their option, when the product is returned, prepaid, with proof of purchase. Alteration to, misuse of, or improper installation of this product voids the warranty. Curt Manufacturing Inc.'s liability is limited to repair or replacement of products found to be defective, and specifically excludes liability for incidental or consequential loss or damage.