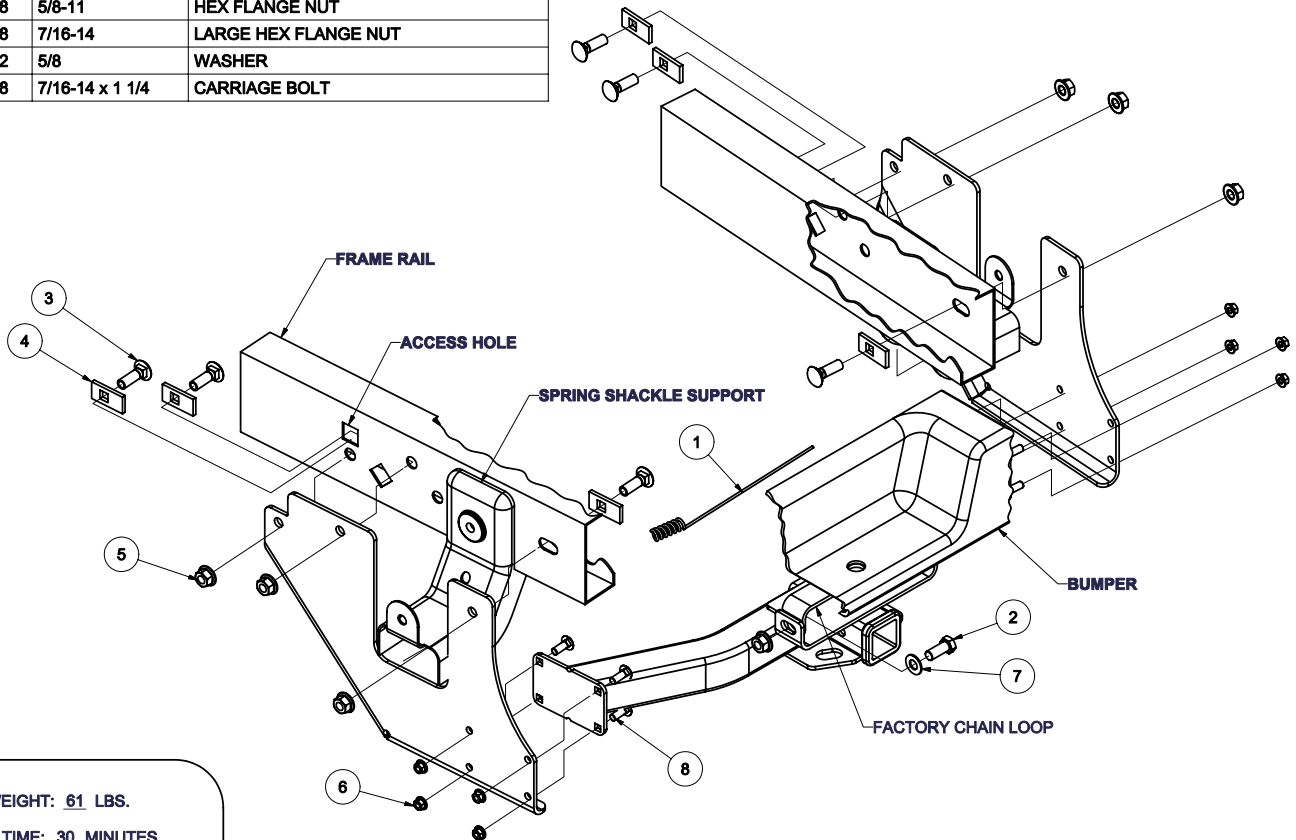


**13353****2004-05 FORD F-150**

5/26/2009

**GROSS LOAD CAPACITY WHEN USED AS A WEIGHT CARRYING HITCH: 6,000 LBS. TRAILER WEIGHT & 600 LBS. TONGUE WEIGHT.**  
**GROSS LOAD CAPACITY WHEN USED AS A WEIGHT DISTRIBUTION HITCH: 10,000 LBS. TRAILER WEIGHT & 1,000 LBS. TONGUE WEIGHT.**  
**\*\*\*DO NOT EXCEED VEHICLE MANUFACTURER'S RECOMMENDED TOWING CAPACITY.\*\*\***

Parts List			
ITEM	QTY	PART NUMBER	DESCRIPTION
1	1	CM-625-FW	5/8 FISHWIRE TOOL
2	2	5/8-11 x 1 1/2	HEX BOLT
3	6	5/8-11 x 2	CARRIAGE BOLT
4	6	CM-SP9	.250 x 1.25 x 2.50" SQUARE HOLE SPACER
5	8	5/8-11	HEX FLANGE NUT
6	8	7/16-14	LARGE HEX FLANGE NUT
7	2	5/8	WASHER
8	8	7/16-14 x 1 1/4	CARRIAGE BOLT

HITCH WEIGHT: 61 LBS.INSTALL TIME: 30 MINUTES

INSTALL NOTES:

**NO DRILLING REQUIRED****INSTALLATION STEPS**

- 1) Raise center section of hitch into position and attach to factory chain loops using 5/8" hex bolts and flange nuts.
- 2) Insert 5/8" carriage bolt and spacer through rearward slot in frame, each side.
- 3) Position side plate on vehicle frame and fasten with flange nut at rearmost attachment. Hand tighten only.
- 4) Attach side plates to hitch center section with 7/16" carriage bolts and fasten with flange nuts as shown.
- 5) Fishwire remaining 5/8" carriage bolts and spacers through forwardmost square hole in frame. Pull bolts through holes in frame and out hitch side plate mounting holes, as shown. Fasten with 5/8" flange nuts.
- 6) Torque all 5/8" fasteners to 150 lb.-ft. Torque all 7/16" fasteners to 50 lb.-ft.

**PERIODICALLY CHECK THIS RECEIVER HITCH TO ENSURE THAT ALL FASTENERS ARE TIGHT AND THAT ALL STRUCTURAL COMPONENTS ARE SOUND.**

Curt Manufacturing Inc., warrants this product to be free of defects in material and/or workmanship at the time of retail purchase by the original purchaser. If the product is found to be defective, Curt Manufacturing Inc., may repair or replace the product, at their option, when the product is returned, prepaid, with proof of purchase. Alteration to, misuse of, or improper installation of this product voids the warranty. Curt Manufacturing Inc.'s liability is limited to repair or replacement of products found to be defective, and specifically excludes liability for incidental or consequential loss or damage.