

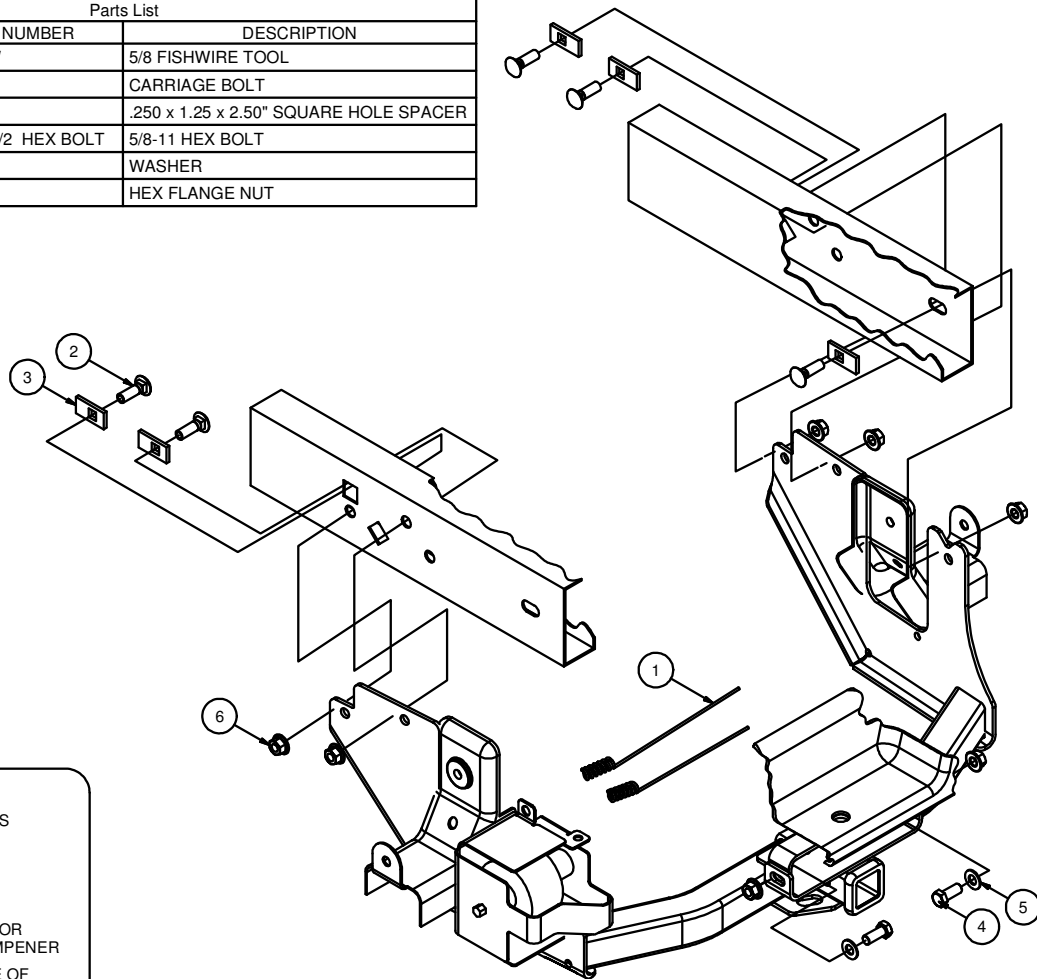
13357 / RRH13357**04-05 FORD F-150**

7/18/2012

GROSS LOAD CAPACITY WHEN USED AS A WEIGHT CARRYING HITCH: 6,000 LBS. TRAILER WEIGHT & 600 LBS. TONGUE WEIGHT.
 GROSS LOAD CAPACITY WHEN USED AS A WEIGHT DISTRIBUTION HITCH: 10,000 LBS. TRAILER WEIGHT & 1,000 LBS. TONGUE WEIGHT

*****DO NOT EXCEED VEHICLE MANUFACTURER'S RECOMMENDED TOWING CAPACITY.*****

Parts List			
ITEM	QTY	PART NUMBER	DESCRIPTION
1	2	CM-625-FW	5/8 FISHWIRE TOOL
2	5	5/8-11 x 2	CARRIAGE BOLT
3	5	CM-SP9	.250 x 1.25 x 2.50" SQUARE HOLE SPACER
4	2	5/8-11 x 1 1/2 HEX BOLT	5/8-11 HEX BOLT
5	2	5/8	WASHER
6	7	5/8-11	HEX FLANGE NUT



HITCH WEIGHT: 54 LBS.
 INSTALL TIME: 30 MINUTES
 INSTALL NOTES:
 - NO DRILLING REQUIRED
 - FISHWIRE HARDWARE
 - WILL FIT VEHICLES WITH OR WITHOUT VIBRATION DAMPENER
 - LOWER SPARE FOR EASE OF INSTALLATION

INSTALLATION STEPS

- 1) Lower exhaust for ease of installation by removing exhaust hanger from frame.
- 2) Raise hitch into position and insert 5/8" hex bolts and washers through factory chain loop holes and holes in top plate of hitch. Secure with 5/8" flange nuts as shown, finger tighten.
- 3) Install 5/8" carriage bolt and spacer into rearmost hole on passenger side frame rail and hitch side plate. Secure with 5/8" flange nut, finger tighten.
- 4) Fishwire remaining 5/8" carriage bolts and spacers through square access holes in frame rails. Pull bolts through holes in frame and out hitch side plate mounting holes, as shown. Secure with 5/8" flange nuts.
- 5) Torque all 5/8" fasteners to 210 lb.-ft.
- 6) Reinstall exhaust lowered in Step 1.

PERIODICALLY CHECK THIS RECEIVER HITCH TO ENSURE THAT ALL FASTENERS ARE TIGHT AND THAT ALL STRUCTURAL COMPONENTS ARE SOUND.

Curt Manufacturing Inc., warrants this product to be free of defects in material and/or workmanship at the time of retail purchase by the original purchaser. If the product is found to be defective, Curt Manufacturing Inc., may repair or replace the product, at their option, when the product is returned, prepaid, with proof of purchase. Alteration to, misuse of, or improper installation of this product voids the warranty. Curt Manufacturing Inc.'s liability is limited to repair or replacement of products found to be defective, and specifically excludes liability for incidental or consequential loss or damage.