

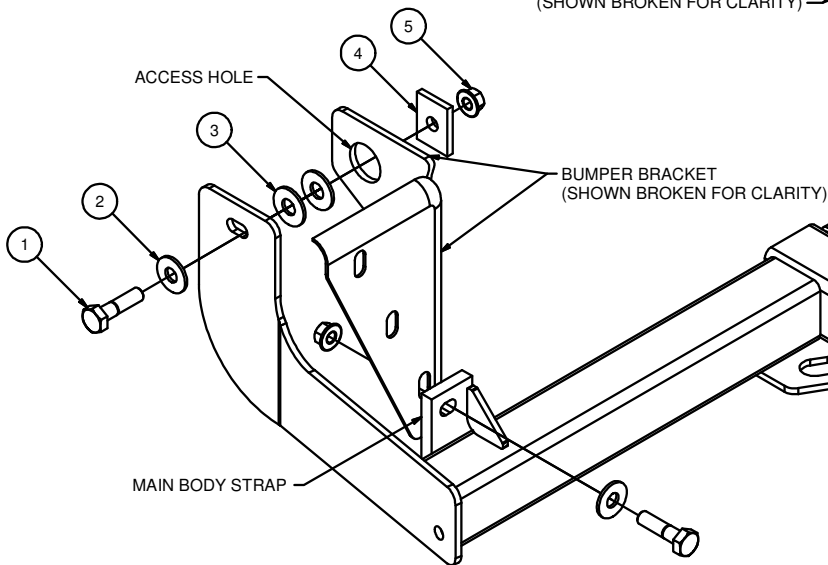
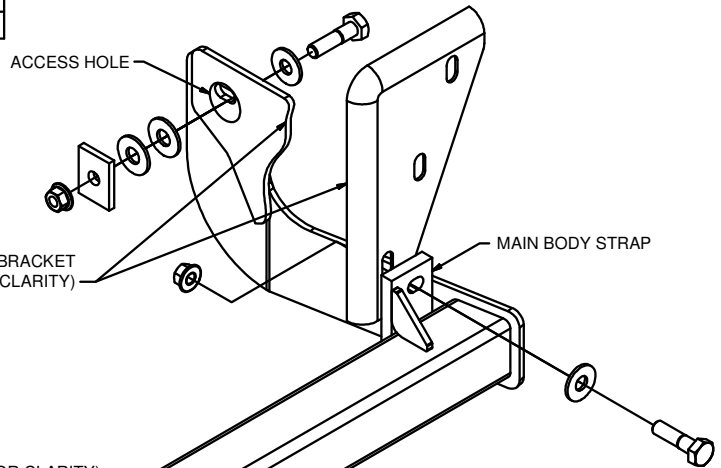
13368**FORD F-150****6/15/2012**

**GROSS LOAD CAPACITY WHEN USED AS A WEIGHT CARRYING HITCH: 6,000 LBS. TRAILER WEIGHT & 600 LBS. TONGUE WEIGHT.
 GROSS LOAD CAPACITY WHEN USED AS A WEIGHT DISTRIBUTION HITCH: 11,000 LBS. TRAILER WEIGHT & 1,100 LBS. TONGUE WEIGHT**

*****DO NOT EXCEED VEHICLE MANUFACTURER'S RECOMMENDED TOWING CAPACITY.*****

Parts List			
ITEM	QTY	PART NUMBER	DESCRIPTION
1	4	1/2-13 x 2"	HEX BOLT
2	4	FW12	FW, 12, ZP
3	4	9_16 WASHER USS FLAT	FLAT WASHER
4	2	CM-SP16	.250 x 1.50 x 2.00" RND HOLE SPCR
5	4	HFN 1213	HEX FLANGE NUT

TOOLS REQUIRED
3/4" WRENCH
3/4" SOCKET
RATCHET
TORQUE WRENCH



HITCH WEIGHT: 35 LBS.
 INSTALL TIME: 15 MINUTES
 INSTALL NOTES:
 - REMOVE SPARE (OPTIONAL)

INSTALLATION STEPS

Note: Removal of the spare tire may ease hitch installation, although it is not necessary.

1. Raise hitch into position and fasten the hitch to the bumper brackets using the main body straps as shown.
2. Attach remaining fasteners as shown, placing (2) 9/16" washers inside the access hole in the bumper bracket on each side. Use the hitch and CM-SP16 spacer to retain the washers.
3. Torque all fasteners to 110 lb-ft.
4. Reinstall spare tire if it was removed for hitch installation. Make sure the spare tire does not contact the bolts.

PERIODICALLY CHECK THIS RECEIVER HITCH TO ENSURE THAT ALL FASTENERS ARE TIGHT AND THAT ALL STRUCTURAL COMPONENTS ARE SOUND.

Curt Manufacturing Inc., warrants this product to be free of defects in material and/or workmanship at the time of retail purchase by the original purchaser. If the product is found to be defective, Curt Manufacturing Inc., may repair or replace the product, at their option, when the product is returned, prepaid, with proof of purchase. Alteration to, misuse of, or improper installation of this product voids the warranty. Curt Manufacturing Inc.'s liability is limited to repair or replacement of products found to be defective, and specifically excludes liability for incidental or consequential loss or damage.