

**13371****FORD F-150**

7/11/2012

GROSS LOAD CAPACITY WHEN USED AS A WEIGHT CARRYING HITCH: 6,000 LBS. TRAILER WEIGHT & 600 LBS. TONGUE WEIGHT.  
 GROSS LOAD CAPACITY WHEN USED AS A WEIGHT DISTRIBUTION HITCH: 11,000 LBS. TRAILER WEIGHT & 1,000 LBS. TONGUE WEIGHT

**\*\*\* DO NOT EXCEED VEHICLE MANUFACTURER'S RECOMMENDED TOWING CAPACITY.\*\*\***

HAVING INSTALLATION QUESTIONS? CALL TECHNICAL SUPPORT AT 1-800-798-0813

| Parts List |     |                      |                                       |
|------------|-----|----------------------|---------------------------------------|
| ITEM       | QTY | PART NUMBER          | DESCRIPTION                           |
| 1          | 4   | 1/2-13 x 2"          | HEX BOLT                              |
| 2          | 4   | FW12                 | FW, 12, ZP                            |
| 3          | 4   | 9_16 WASHER USS FLAT | FLAT WASHER                           |
| 4          | 2   | CM-SP16              | .250 x 1.50 x 2.00" ROUND HOLE SPACER |
| 5          | 4   | HFN 1213             | HEX FLANGE NUT                        |

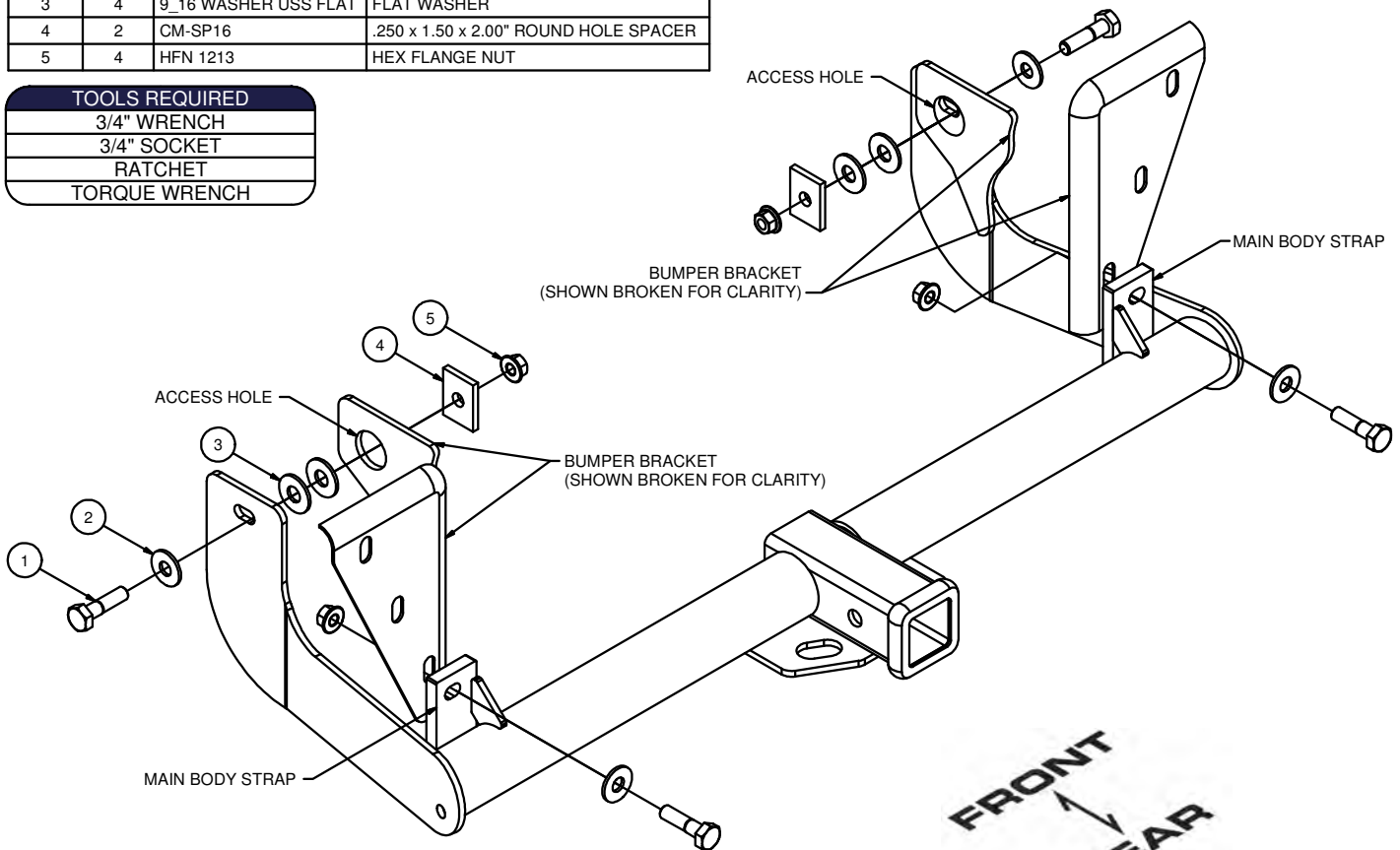
**TOOLS REQUIRED**

3/4" WRENCH

3/4" SOCKET

RATCHET

TORQUE WRENCH



HITCH WEIGHT: 33 LBS.

**INSTALL TIME**

PROFESSIONAL: 15 MINUTES

NOVICE (DIY): 30 MINUTES

**INSTALL NOTES:****INSTALLATION STEPS**

Note: Removal of the spare tire may ease hitch installation, although it is not necessary.

1. Raise hitch into position and fasten the hitch to the bumper brackets using the main body straps as shown.
2. Attach remaining fasteners as shown, placing (2) 9/16" washers inside the access hole in the bumper bracket on each side. Use the hitch and CM-SP16 spacer to retain the washers.
3. Torque all fasteners to 110 lb-ft.
4. Reinstall spare tire if it was removed for hitch installation. Make sure the spare tire does not contact the bolts.

**PERIODICALLY CHECK THIS RECEIVER HITCH TO ENSURE THAT ALL FASTENERS ARE TIGHT AND THAT ALL STRUCTURAL COMPONENTS ARE SOUND.**

Curt Manufacturing Inc., warrants this product to be free of defects in material and/or workmanship at the time of retail purchase by the original purchaser. If the product is found to be defective, Curt Manufacturing Inc., may repair or replace the product, at their option, when the product is returned, prepaid, with proof of purchase. Alteration to, misuse of, or improper installation of this product voids the warranty. Curt Manufacturing Inc.'s liability is limited to repair or replacement of products found to be defective, and specifically excludes liability for incidental or consequential loss or damage.