

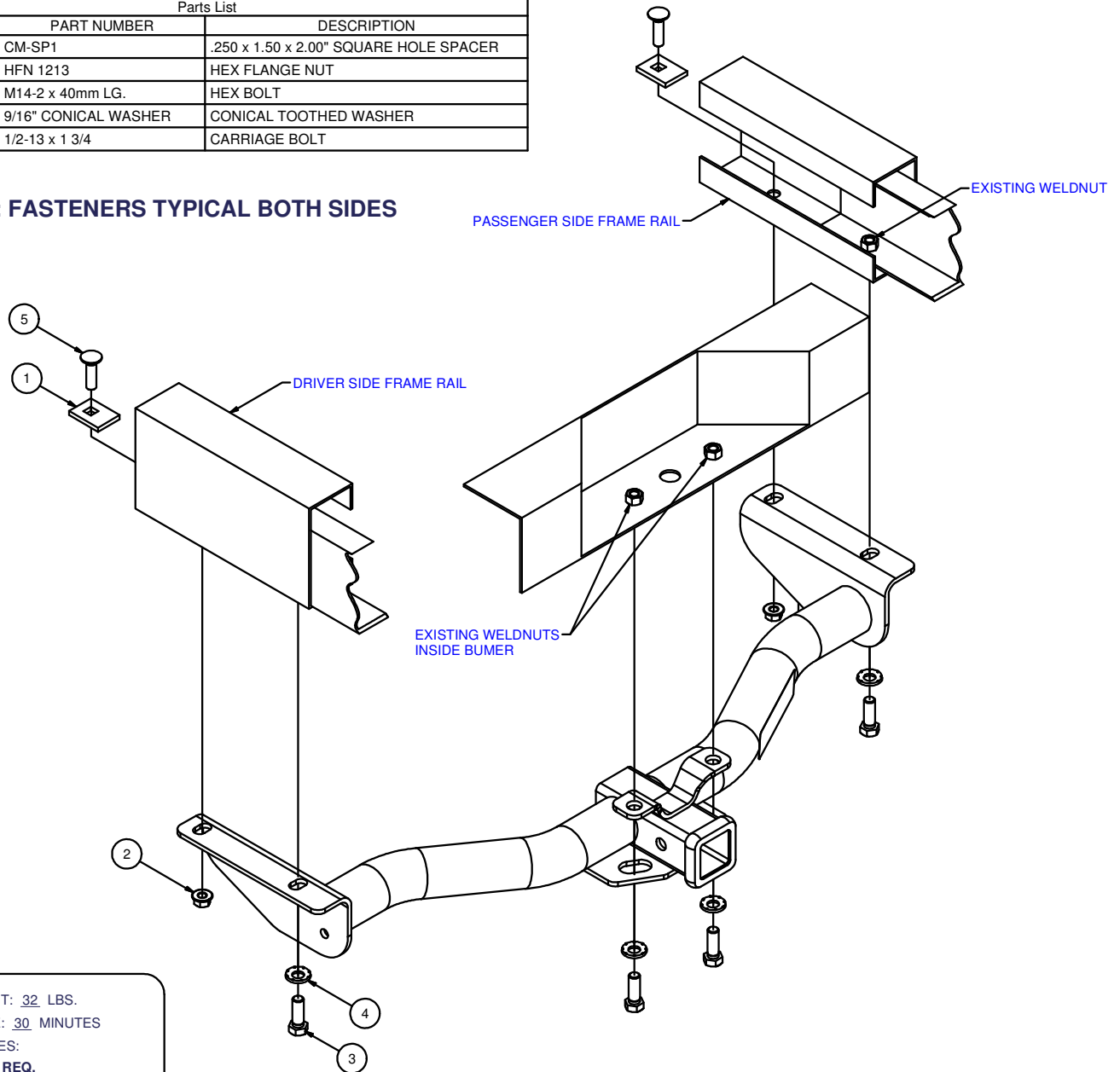
13422 / RRH13422**03-06 CADILLAC ESCALADE, SUBURBAN, YUKON, TAHOE
03-06 CHEVY AVALANCHE**

7/17/2012

EXCLUDES MODELS WITH CANISTER ON PASSENGER SIDE FRAME RAIL

GROSS LOAD CAPACITY WHEN USED AS A WEIGHT CARRYING HITCH: 6,000 LBS. TRAILER WEIGHT & 600 LBS. TONGUE WEIGHT.
GROSS LOAD CAPACITY WHEN USED AS A WEIGHT DISTRIBUTION HITCH: 10,000 LBS. TRAILER WEIGHT & 1,000 LBS. TONGUE WEIGHT*****DO NOT EXCEED VEHICLE MANUFACTURER'S RECOMMENDED TOWING CAPACITY.*****

Parts List				
ITEM	QTY	PART NUMBER	DESCRIPTION	
1	2	CM-SP1	.250 x 1.50 x 2.00" SQUARE HOLE SPACER	
2	2	HFN 1213	HEX FLANGE NUT	
3	4	M14-2 x 40mm LG.	HEX BOLT	
4	4	9/16" CONICAL WASHER	CONICAL TOOTHED WASHER	
5	2	1/2-13 x 1 3/4	CARRIAGE BOLT	

NOTE: FASTENERS TYPICAL BOTH SIDES

HITCH WEIGHT: 32 LBS.
 INSTALL TIME: 30 MINUTES
 INSTALL NOTES:
NO DRILLING REQ.

INSTALLATION STEPS

- 1) Remove existing M14 bumper bracket bolts from the bottom surface of frame and return to vehicle owner. (Both sides)
- 2) Raise hitch into position and install fasteners as shown.
- 3) Torque all 1/2" fasteners to 110 lb.-ft. Torque all M14 fasteners to 126 lb.-ft.

PERIODICALLY CHECK THIS RECEIVER HITCH TO ENSURE THAT ALL FASTENERS ARE TIGHT AND THAT ALL STRUCTURAL COMPONENTS ARE SOUND.

Curt Manufacturing Inc., warrants this product to be free of defects in material and/or workmanship at the time of retail purchase by the original purchaser. If the product is found to be defective, Curt Manufacturing Inc., may repair or replace the product, at their option, when the product is returned, prepaid, with proof of purchase. Alteration to, misuse of, or improper installation of this product voids the warranty. Curt Manufacturing Inc.'s liability is limited to repair or replacement of products found to be defective, and specifically excludes liability for incidental or consequential loss or damage.