

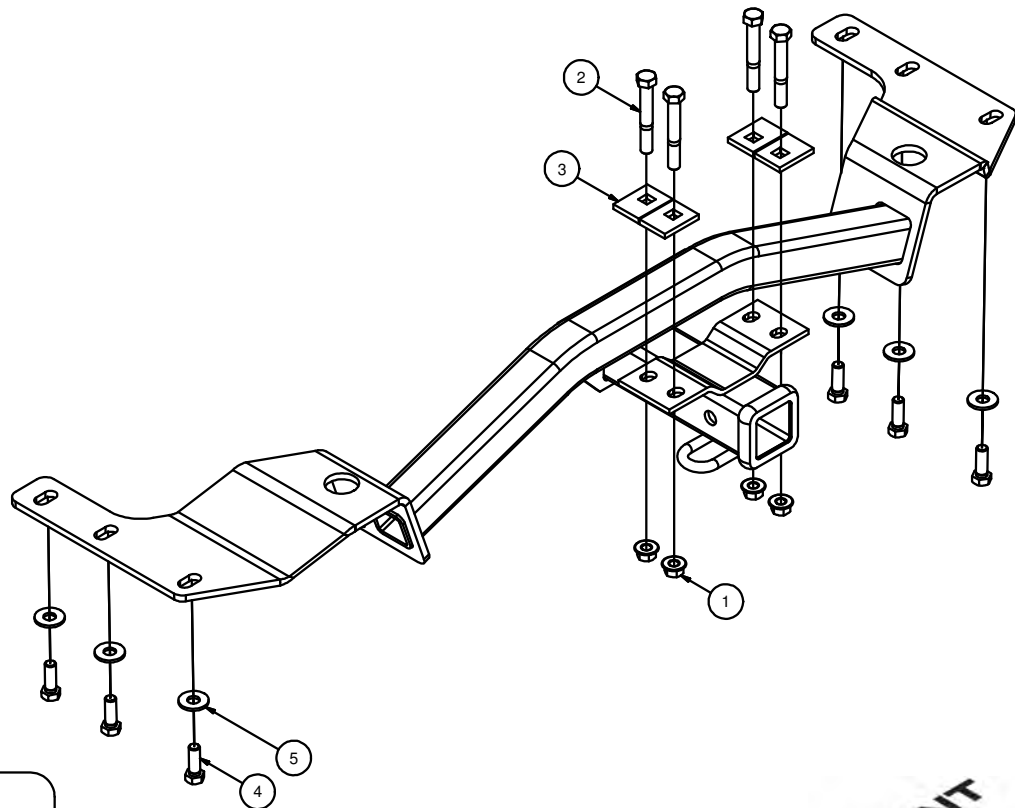
13440**01-07 TOYOTA SEQUOIA****10/5/2012**

GROSS LOAD CAPACITY WHEN USED AS A WEIGHT CARRYING HITCH: 5000 LBS. TRAILER WEIGHT & 500 LBS. TONGUE WEIGHT.
 GROSS LOAD CAPACITY WHEN USED AS A WEIGHT DISTRIBUTION HITCH: 6500 LBS. TRAILER WEIGHT & 650 LBS. TONGUE WEIGHT

***** DO NOT EXCEED VEHICLE MANUFACTURER'S RECOMMENDED TOWING CAPACITY.*****

HAVING INSTALLATION QUESTIONS? CALL TECHNICAL SUPPORT AT 1-800-798-0813

Parts List				
ITEM	QTY	PART NUMBER	DESCRIPTION	
1	4	HFN 1213	HEX FLANGE NUT	
2	4	1/2-13 x 3 1/2"	HEX BOLT	
3	4	CM-SP1	.250 x 1.50 x 2.00" SQUARE HOLE SPACER	
4	6	M12 x 1.25 x 45	HEX BOLT	
5	6	1/2"	CONICAL TOOTHED WASHER	



HITCH WEIGHT: 36 LBS.

INSTALL TIME

PROFESSIONAL: 40 MINUTES

NOVICE (DIY): 80 MINUTES

INSTALL NOTES:

-NO DRILL

INSTALLATION STEPS

- 1) LOWER SPARE TIRE.
- 2) RAISE HITCH INTO POSITION, MAKING SURE TO SLIDE BUMPER MOUNT UNDER FASCIA, AND ATTACH SIDE PLATE FASTENERS.
- 3) INSTALL FASTENERS TO BUMPER MOUNT WITH THE SPACERS ON TOP OF BUMPER MOUNT AND TIGHTEN ALL FASTENERS.
- 4) RAISE SPARE TIRE INTO POSITION.
- 5) TIGHTEN ALL M12 FASTENERS TO 86 LB-FT.
TIGHTEN ALL 1/2 FASTENERS TO 110 LB-FT.

PERIODICALLY CHECK THIS RECEIVER HITCH TO ENSURE THAT ALL FASTENERS ARE TIGHT AND THAT ALL STRUCTURAL COMPONENTS ARE SOUND.

Curt Manufacturing Inc., warrants this product to be free of defects in material and/or workmanship at the time of retail purchase by the original purchaser. If the product is found to be defective, Curt Manufacturing Inc., may repair or replace the product, at their option, when the product is returned, prepaid, with proof of purchase. Alteration to, misuse of, or improper installation of this product voids the warranty. Curt Manufacturing Inc.'s liability is limited to repair or replacement of products found to be defective, and specifically excludes liability for incidental or consequential loss or damage.