

13450

01- 05 LAND ROVER FREELANDER

11/12/2012

GROSS LOAD CAPACITY WHEN USED AS A WEIGHT CARRYING HITCH: 3500 LBS. TRAILER WEIGHT & 350 LBS. TONGUE WEIGHT.

DO NOT EXCEED VEHICLE MANUFACTURER'S RECOMMENDED TOWING CAPACITY.

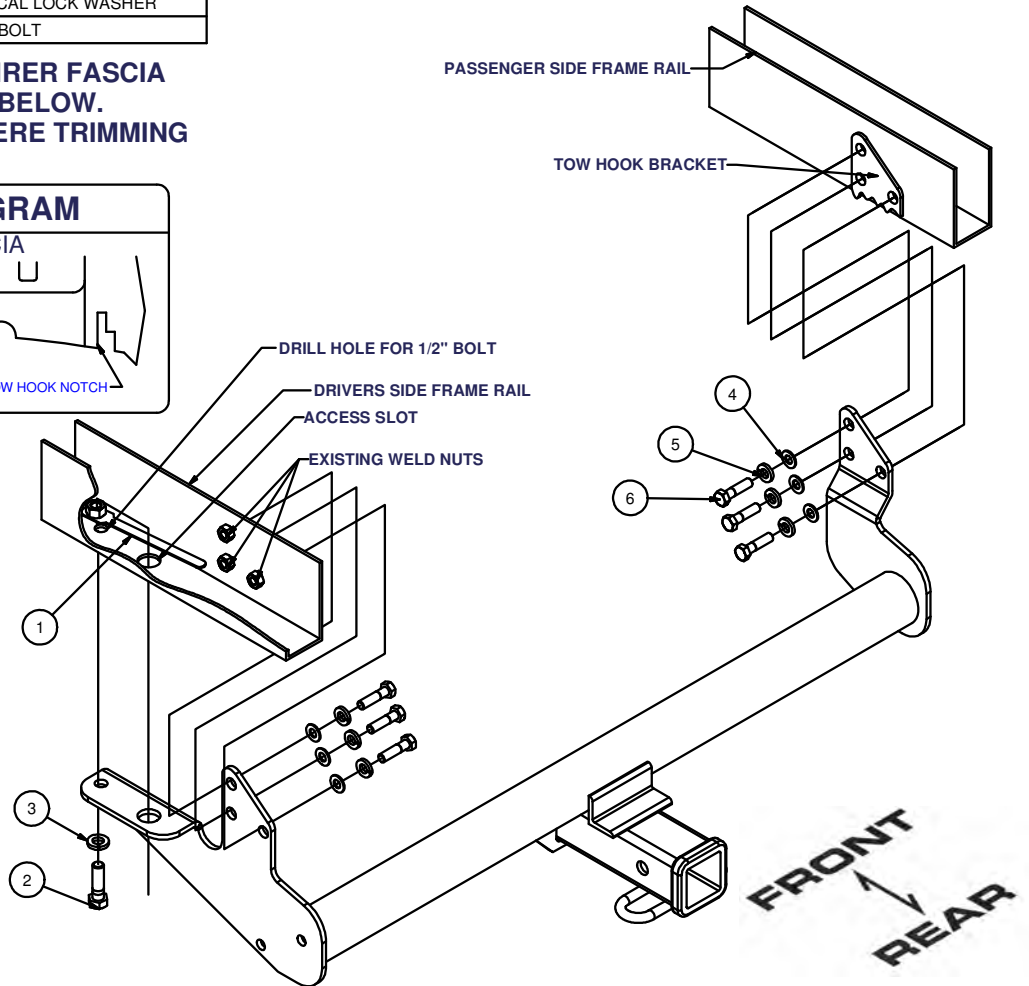
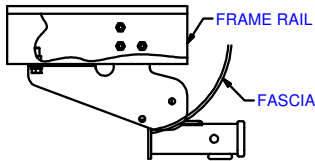
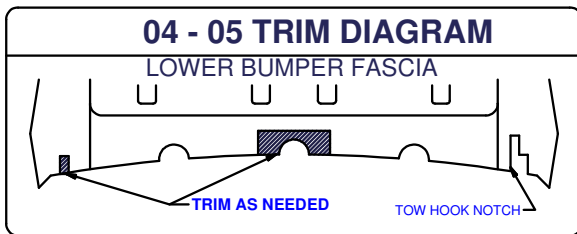
WARNING: ALL NON-TRAILER LOADS APPLIED TO THIS PRODUCT MUST BE SUPPORTED BY AUXILIARY STABILIZING STRAPS.

** FAILURE TO PROPERLY SUPPORT NON-TRAILER LOADS WILL VOID PRODUCT WARRANTY**

HAVING INSTALLATION QUESTIONS? CALL TECHNICAL SUPPORT AT 1-800-798-0813

Parts List			
ITEM	QTY	PART NUMBER	DESCRIPTION
1	1	1/2-13	HANDLE NUT
2	1	1/2-13 x 1 3/4	HEX BOLT
3	1	1/2"	LOCK WASHER
4	6	3/8"	WASHER
5	6	7/16 LOCK WASHER	HELICAL LOCK WASHER
6	6	M10 - 1.5 x 40mm	HEX BOLT

04 - 05 MODELS MAY REQUIRER FASCIA TRIMMING AS SHOWN BELOW. FIT HITCH TO SEE IF AND WHERE TRIMMING IS NEEDED.



HITCH WEIGHT: 29 LBS.

INSTALL TIME

PROFESSIONAL: 20 MINUTES

NOVICE (DIY): 40 MINUTES

INSTALL NOTES:

- DRILLING REQUIRED
- REMOVE BOLTS FROM TOW LOOP BRACKET

INSTALLATION STEPS

1. Remove fasteners from inside of tow loop bracket on passenger side frame rail as shown.
2. Lift hitch into position between frame rails and attach at weld nuts using fasteners as shown.
3. Using hitch as a template, drill hole for 1/2" fastener in drivers side frame rail. Manipulate 1/2" handle nut into frame rail at access hole as shown and install fasteners.
4. Torque 1/2" fasteners to 110 lb-ft
10mm fasteners to 45 lb-ft

PERIODICALLY CHECK THIS RECEIVER HITCH TO ENSURE THAT ALL FASTENERS ARE TIGHT AND THAT ALL STRUCTURAL COMPONENTS ARE SOUND.

Curt Manufacturing Inc., warrants this product to be free of defects in material and/or workmanship at the time of retail purchase by the original purchaser. If the product is found to be defective, Curt Manufacturing Inc., may repair or replace the product, at their option, when the product is returned, prepaid, with proof of purchase. Alteration to, misuse of, or improper installation of this product voids the warranty. Curt Manufacturing Inc.'s liability is limited to repair or replacement of products found to be defective, and specifically excludes liability for incidental or consequential loss or damage.