

LAND ROVER LR3 05-09

13456

LAND ROVER RANGE ROVER SPORT HSE 06-CURRENT LAND ROVER LR4 05-CURRENT

7/18/2012

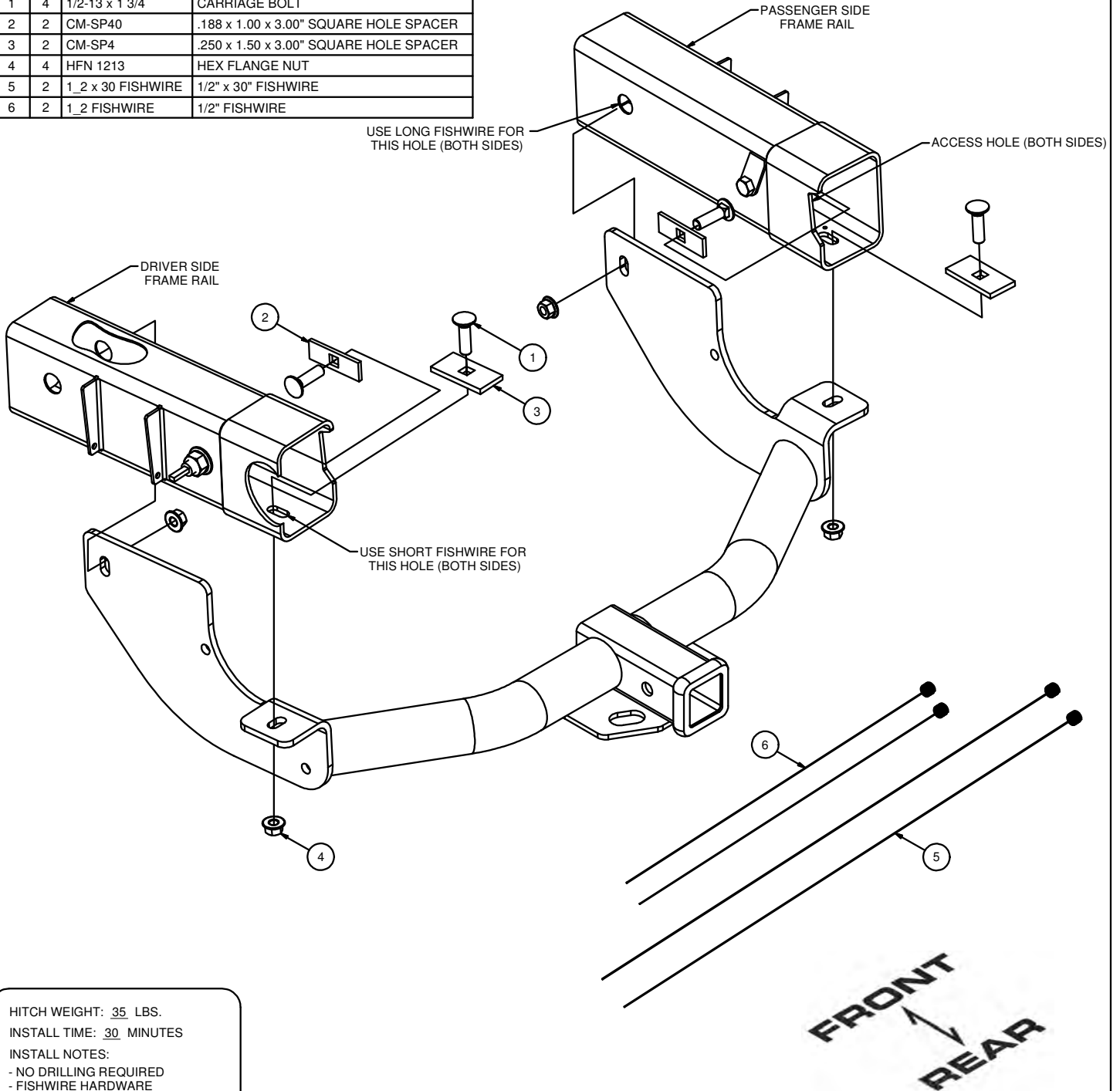
EXCEPT FULL SIZE SPARE TIRE

GROSS LOAD CAPACITY WHEN USED AS A WEIGHT CARRYING HITCH: 6,000 LBS. TRAILER WEIGHT & 600 LBS. TONGUE WEIGHT.
GROSS LOAD CAPACITY WHEN USED AS A WEIGHT DISTRIBUTION HITCH: 8,000 LBS. TRAILER WEIGHT & 800 LBS. TONGUE WEIGHT

*****DO NOT EXCEED VEHICLE MANUFACTURER'S RECOMMENDED TOWING CAPACITY.*****

HAVING INSTALLATION QUESTIONS? CALL TECHNICAL SUPPORT AT 1-800-798-0813

Parts List			
ITEM	QTY	PART NUMBER	DESCRIPTION
1	4	1/2-13 x 1 3/4	CARRIAGE BOLT
2	2	CM-SP40	.188 x 1.00 x 3.00" SQUARE HOLE SPACER
3	2	CM-SP4	.250 x 1.50 x 3.00" SQUARE HOLE SPACER
4	4	HFN 1213	HEX FLANGE NUT
5	2	1_2 x 30 FISHWIRE	1/2" x 30" FISHWIRE
6	2	1_2 FISHWIRE	1/2" FISHWIRE



HITCH WEIGHT: 35 LBS.
INSTALL TIME: 30 MINUTES
INSTALL NOTES:
- NO DRILLING REQUIRED
- FISHWIRE HARDWARE
- LOWER SPARE TIRE

PERIODICALLY CHECK THIS RECEIVER HITCH TO ENSURE THAT ALL FASTENERS ARE TIGHT AND THAT ALL STRUCTURAL COMPONENTS ARE SOUND.

Curt Manufacturing Inc., warrants this product to be free of defects in material and/or workmanship at the time of retail purchase by the original purchaser. If the product is found to be defective, Curt Manufacturing Inc., may repair or replace the product, at their option, when the product is returned, prepaid, with proof of purchase. Alteration to, misuse of, or improper installation of this product voids the warranty. Curt Manufacturing Inc.'s liability is limited to repair or replacement of products found to be defective, and specifically excludes liability for incidental or consequential loss or damage.

LAND ROVER LR3 05-09

13456

LAND ROVER RANGE ROVER SPORT HSE 06-CURRENT LAND ROVER LR4 05-CURRENT

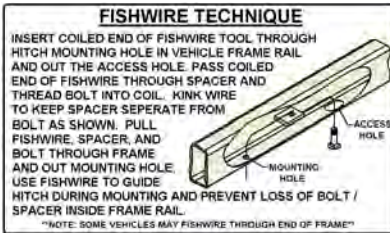
7/18/2012

EXCEPT FULL SIZE SPARE TIRE

GROSS LOAD CAPACITY WHEN USED AS A WEIGHT CARRYING HITCH: 6,000 LBS. TRAILER WEIGHT & 600 LBS. TONGUE WEIGHT.
GROSS LOAD CAPACITY WHEN USED AS A WEIGHT DISTRIBUTION HITCH: 8,000 LBS. TRAILER WEIGHT & 800 LBS. TONGUE WEIGHT

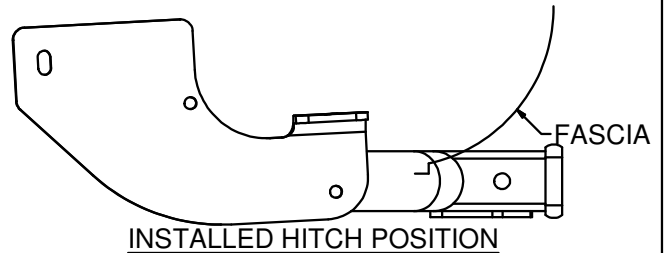
*****DO NOT EXCEED VEHICLE MANUFACTURER'S RECOMMENDED TOWING CAPACITY.*****

HAVING INSTALLATION QUESTIONS? CALL TECHNICAL SUPPORT AT 1-800-798-0813



TOOLS REQUIRED
SOCKET WRENCH
3/4" SOCKET
TORQUE WRENCH

VIBRATION DAMPENING WEIGHT



INSTALLATION STEPS

1. Lower spare tire for ease of installation.
2. Locate access hole for fishwiring hardware. The access hole is located on the inside of the frame rails between the frame and bumper beam. Push vibration dampening weights toward front of vehicle to locate the hole.
Note: See Access Hole Location Diagram.
3. Using long (30 in.) fishwires, pull 1/2-13 x 1 3/4 carriage bolts and CM-SP40 spacers through access holes and out hole on inside of frame rails. See Fishwire Technique diagram.
4. Using short fishwires, pull 1/2-13 x 1 3/4 carriage bolts and CM-SP4 spacers through access holes and out slots in bottom of frame rails. See Fishwire Technique diagram.
5. Raise hitch into position and secure with 1/2-13 hex flange nuts.
6. Torque 1/2 in. hardware to 110 lb-ft.
7. Raise spare tire.

PERIODICALLY CHECK THIS RECEIVER HITCH TO ENSURE THAT ALL FASTENERS ARE TIGHT AND THAT ALL STRUCTURAL COMPONENTS ARE SOUND.

Curt Manufacturing Inc., warrants this product to be free of defects in material and/or workmanship at the time of retail purchase by the original purchaser. If the product is found to be defective, Curt Manufacturing Inc., may repair or replace the product, at their option, when the product is returned, prepaid, with proof of purchase. Alteration to, misuse of, or improper installation of this product voids the warranty. Curt Manufacturing Inc.'s liability is limited to repair or replacement of products found to be defective, and specifically excludes liability for incidental or consequential loss or damage.