

13529

CHRYSLER PACIFICA

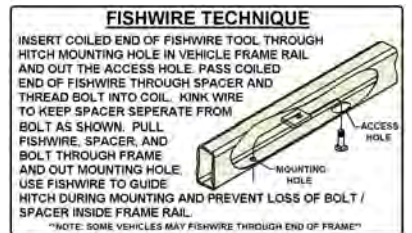
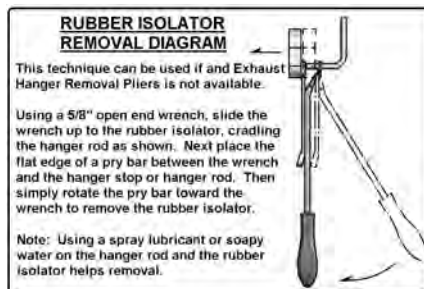
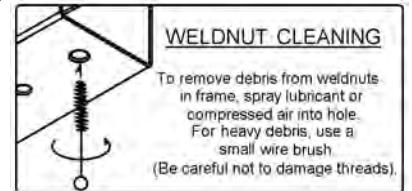
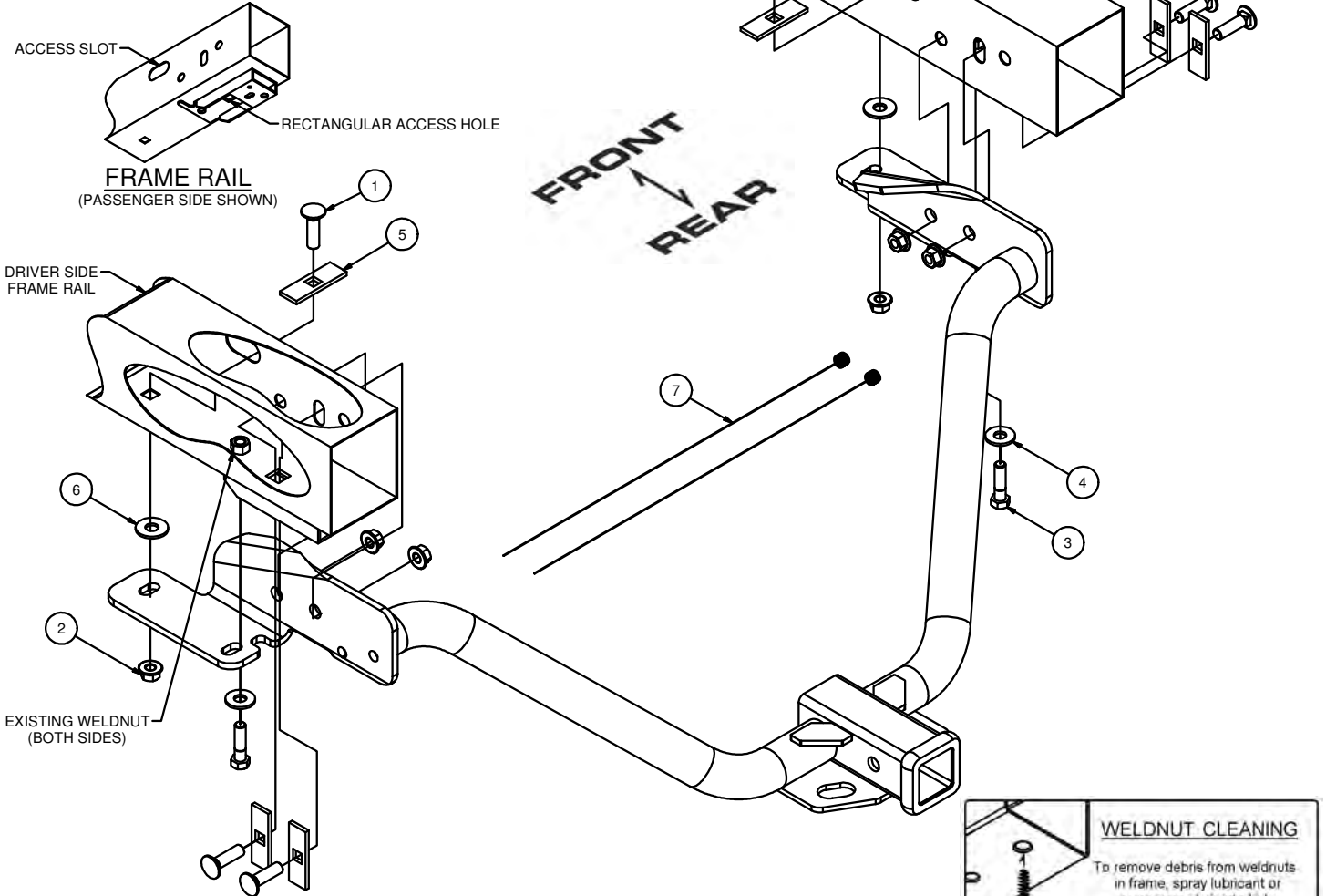
7/17/2012

GROSS LOAD CAPACITY WHEN USED AS A WEIGHT CARRYING HITCH: 3,500 LBS. TRAILER WEIGHT & 350 LBS. TONGUE WEIGHT.
GROSS LOAD CAPACITY WHEN USED AS A WEIGHT DISTRIBUTION HITCH: 5,000 LBS. TRAILER WEIGHT & 500 LBS. TONGUE WEIGHT

*****DO NOT EXCEED VEHICLE MANUFACTURER'S RECOMMENDED TOWING CAPACITY.*****

HAVING INSTALLATION QUESTIONS? CALL TECHNICAL SUPPORT AT 1-800-798-0813

| Parts List | | | |
|------------|-----|-------------------------|--|
| ITEM | QTY | PART NUMBER | DESCRIPTION |
| 1 | 6 | 1/2-13 x 1 3/4 | CARRIAGE BOLT |
| 2 | 6 | HFN 1213 | HEX FLANGE NUT |
| 3 | 2 | M12-1.75 x 45mm CL 10.9 | CLASS 10.9 HEX BOLT |
| 4 | 2 | 1/2" | CONICAL TOOTHED WASHER |
| 5 | 6 | CM-SP40 | .188 x 1.00 x 3.00" SQUARE HOLE SPACER |
| 6 | 2 | FW12 | FW, 12, ZP |
| 7 | 2 | 1_2 FISHWIRE | 1/2" FISHWIRE |



HITCH WEIGHT: 34 LBS.

INSTALL TIME

PROFESSIONAL: 30 MINUTES

NOVICE (DIY): 60 MINUTES

INSTALL NOTES:

- NO DRILLING REQUIRED
- LOWER SPARE TIRE
- LOWER EXHAUST
- REMOVE EXISTING BOLTS
- FISHWIRE HARDWARE

PERIODICALLY CHECK THIS RECEIVER HITCH TO ENSURE THAT ALL FASTENERS ARE TIGHT AND THAT ALL STRUCTURAL COMPONENTS ARE SOUND.

Curt Manufacturing Inc., warrants this product to be free of defects in material and/or workmanship at the time of retail purchase by the original purchaser. If the product is found to be defective, Curt Manufacturing Inc., may repair or replace the product, at their option, when the product is returned, prepaid, with proof of purchase. Alteration to, misuse of, or improper installation of this product voids the warranty. Curt Manufacturing Inc.'s liability is limited to repair or replacement of products found to be defective, and specifically excludes liability for incidental or consequential loss or damage.

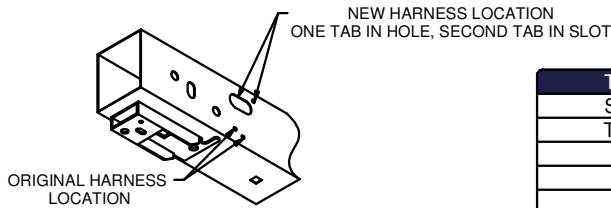
13529**CHRYSLER PACIFICA**

7/17/2012

GROSS LOAD CAPACITY WHEN USED AS A WEIGHT CARRYING HITCH: 3,500 LBS. TRAILER WEIGHT & 350 LBS. TONGUE WEIGHT.
 GROSS LOAD CAPACITY WHEN USED AS A WEIGHT DISTRIBUTION HITCH: 5,000 LBS. TRAILER WEIGHT & 500 LBS. TONGUE WEIGHT

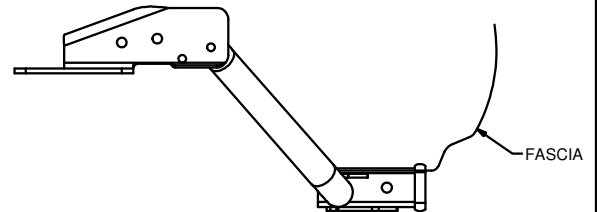
***** DO NOT EXCEED VEHICLE MANUFACTURER'S RECOMMENDED TOWING CAPACITY.*****

HAVING INSTALLATION QUESTIONS? CALL TECHNICAL SUPPORT AT 1-800-798-0813



WIRING HARNESS
RELOCATION DIAGRAM
(DRIVER SIDE FRAME RAIL)

| TOOLS REQUIRED |
|----------------|
| SOCKET WRENCH |
| TORQUE WRENCH |
| 3/4" SOCKET |
| 18mm SOCKET |
| 19mm SOCKET |



INSTALLED HITCH POSITION

INSTALLATION STEPS

1. Lower spare tire for ease of installation.
2. Lower exhaust by removing rubber exhaust isolators. Note: If vehicle has dual exhaust, remove isolators on driver and passenger side of vehicle. (See RUBBER ISOLATOR REMOVAL DIAGRAM.)
3. Remove M12 bolts from front attachment point between bumper beam and frame rail on driver and passenger side frame rails. Return bolts to vehicle owner.
4. If wiring harness is present on driver side frame rail, remove the harness. The harness will be relocated after hitch installation.
5. Fishwire 1/2 in. carriage bolts and CM-SP40 spacers through access slot and out square mounting hole in bottom of driver and passenger side frame rails, as shown. (See FISHWIRE TECHNIQUE diagram.)
6. Install 1/2 in. flat washers onto carriage bolts from Step 5, as shown.
7. Raise hitch into position.
8. Secure hitch with 1/2 in. hex flange nuts onto carriage bolts from Step 5, as shown.
9. Install supplied M12 bolts and 1/2 in. conical toothed washers through weldnuts where existing bolts were removed in Step 3.
10. Fishwire 1/2 in. carriage bolts and CM-SP40 spacers through rectangular access hole and out mounting holes in side of driver and passenger side frame rail, as shown.
11. Secure carriage bolts from Step 10 with 1/2 in. hex flange nuts.
12. Torque 1/2 in. hardware to 110 lb-ft and M12 10.9 hardware to 86 lb-ft.
13. Raise exhaust back into position.
14. Relocate wiring harness from Step 3. (See WIRING HARNESS RELOCATION DIAGRAM.)
15. Raise spare tire back into position.

**PERIODICALLY CHECK THIS RECEIVER HITCH TO ENSURE THAT ALL FASTENERS
ARE TIGHT AND THAT ALL STRUCTURAL COMPONENTS ARE SOUND.**

Curt Manufacturing Inc., warrants this product to be free of defects in material and/or workmanship at the time of retail purchase by the original purchaser. If the product is found to be defective, Curt Manufacturing Inc., may repair or replace the product, at their option, when the product is returned, prepaid, with proof of purchase. Alteration to, misuse of, or improper installation of this product voids the warranty. Curt Manufacturing Inc.'s liability is limited to repair or replacement of products found to be defective, and specifically excludes liability for incidental or consequential loss or damage.