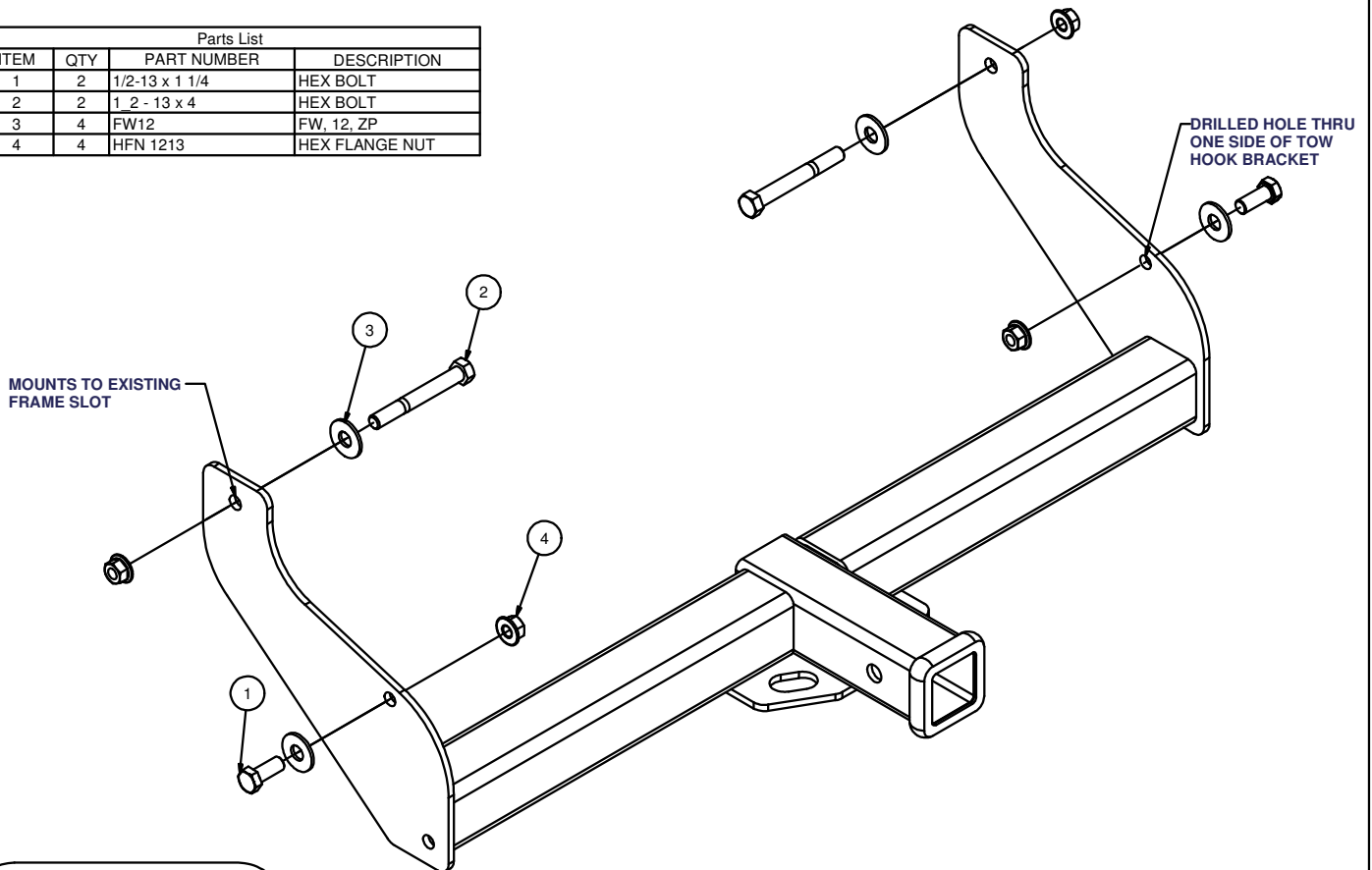


13537**95-04 KIA SPORTAGE**

10/5/2012

GROSS LOAD CAPACITY WHEN USED AS A WEIGHT CARRYING HITCH: 3,500 LBS. TRAILER WEIGHT & 350 LBS. TONGUE WEIGHT.
 *****DO NOT EXCEED VEHICLE MANUFACTURER'S RECOMMENDED TOWING CAPACITY.*****

Parts List			
ITEM	QTY	PART NUMBER	DESCRIPTION
1	2	1/2-13 x 1 1/4	HEX BOLT
2	2	1 2 - 13 x 4	HEX BOLT
3	4	FW12	FW. 12. ZP
4	4	HFN 1213	HEX FLANGE NUT



HITCH WEIGHT: 30 LBS.
 INSTALL TIME: 30 MINUTES
 INSTALL NOTES:
 - DRILLING REQ.

INSTALLATION STEPS

- 1) Raise hitch up to frame and install a 1/2" hex bolt through the rearmost hole of the hitch and through the existing frame slots.(Both sides)
- 2) Attach hitch with the 1/2" flange nuts provided, finger tight only.
- 3) Rotate the hitch upward to a level position and clamp it to the tow hook supports.
- 4) When the hitch is level and properly positioned use the hole in the hitch mounting plate as a guide to drill a 1/2" hole through the tow hook bracket. (Both sides)
- 5) After drilling through the tow hook brackets install the 1/2" hex bolts and washers, attach with the 1/2" flange nuts.
- 6) Torque all 1/2" hardware to 110 FT/LBS.

PERIODICALLY CHECK THIS RECEIVER HITCH TO ENSURE THAT ALL FASTENERS ARE TIGHT AND THAT ALL STRUCTURAL COMPONENTS ARE SOUND.

Curt Manufacturing Inc., warrants this product to be free of defects in material and/or workmanship at the time of retail purchase by the original purchaser. If the product is found to be defective, Curt Manufacturing Inc., may repair or replace the product, at their option, when the product is returned, prepaid, with proof of purchase. Alteration to, misuse of, or improper installation of this product voids the warranty. Curt Manufacturing Inc.'s liability is limited to repair or replacement of products found to be defective, and specifically excludes liability for incidental or consequential loss or damage.