

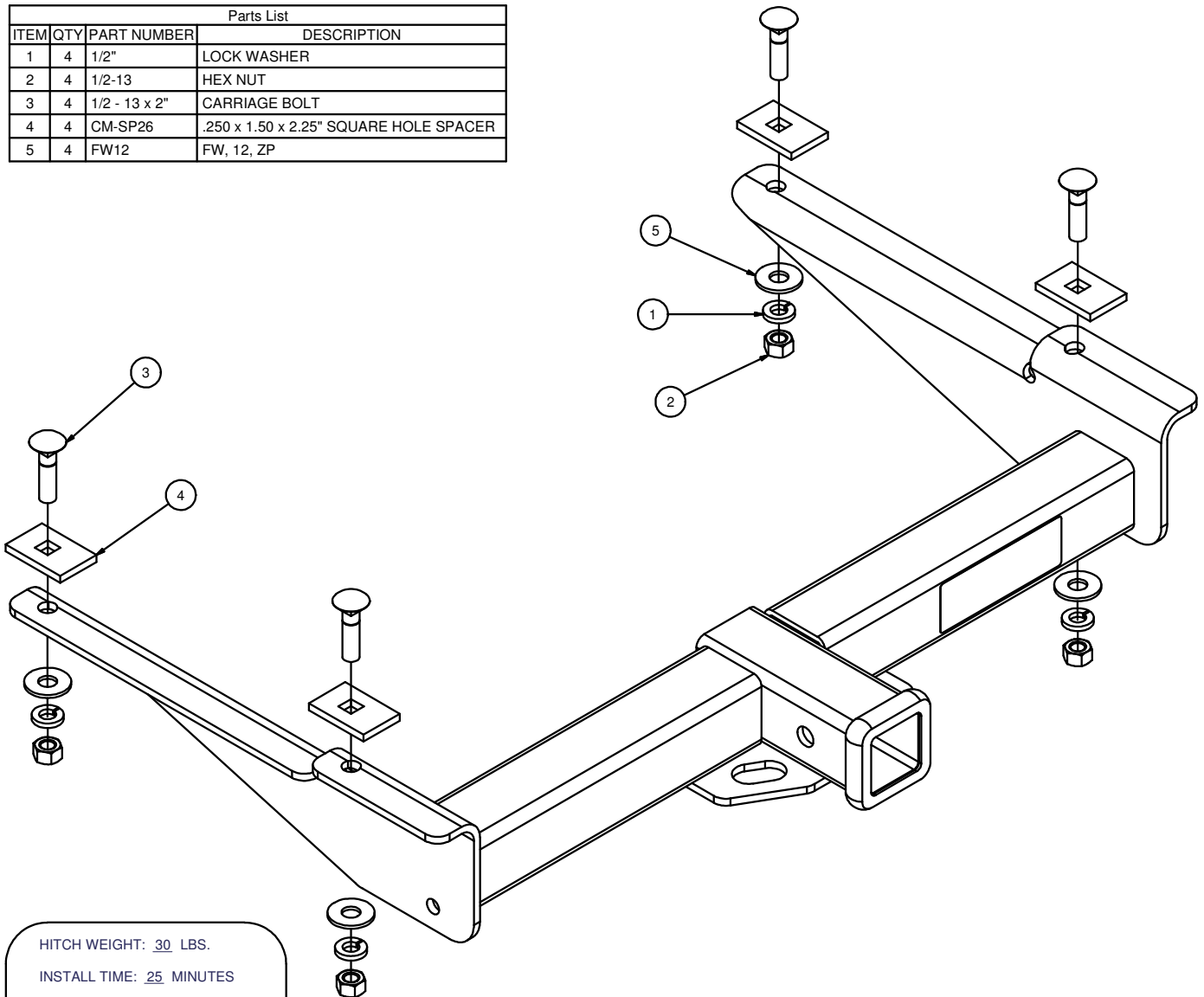
13580

71-80 INTERNATIONAL SCOUT 2, TERRA, TRAVELER, 2 &amp; 4WD

11/26/2012

GROSS LOAD CAPACITY WHEN USED AS A WEIGHT CARRYING HITCH: 5,000 LBS. TRAILER WEIGHT & 500 LBS. TONGUE WEIGHT.  
**\*\*\*DO NOT EXCEED VEHICLE MANUFACTURER'S RECOMMENDED TOWING CAPACITY.\*\*\***

Parts List				
ITEM	QTY	PART NUMBER	DESCRIPTION	
1	4	1/2"	LOCK WASHER	
2	4	1/2-13	HEX NUT	
3	4	1/2 - 13 x 2"	CARRIAGE BOLT	
4	4	CM-SP26	.250 x 1.50 x 2.25" SQUARE HOLE SPACER	
5	4	FW12	FW, 12, ZP	



HITCH WEIGHT: 30 LBS.

INSTALL TIME: 25 MINUTES

INSTALL NOTES:

- NO DRILLING REQUIRED
- BUMPER BRACKET MODIFICATION REQUIRED FOR STEP BUMPER

## INSTALLATION STEPS

- 1) Place carriage bolts in spacers and set in place on frame rails.
- 2) Raise hitch into position and fasten to vehicle using the supplied flange nuts.
- 3) Torque all 1/2" flange nuts to 110 lb-ft.

**PERIODICALLY CHECK THIS RECEIVER HITCH TO ENSURE THAT ALL FASTENERS ARE TIGHT AND THAT ALL STRUCTURAL COMPONENTS ARE SOUND.**

Curt Manufacturing Inc., warrants this product to be free of defects in material and/or workmanship at the time of retail purchase by the original purchaser. If the product is found to be defective, Curt Manufacturing Inc., may repair or replace the product, at their option, when the product is returned, prepaid, with proof of purchase. Alteration to, misuse of, or improper installation of this product voids the warranty. Curt Manufacturing Inc.'s liability is limited to repair or replacement of products found to be defective, and specifically excludes liability for incidental or consequential loss or damage.