

13587**04-07 FORD FREESTAR, 04-07 MERCURY MONTEREY**

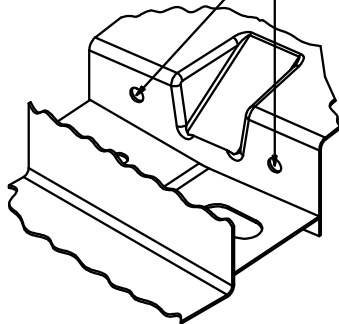
7/18/2012

GROSS LOAD CAPACITY WHEN USED AS A WEIGHT CARRYING HITCH: 3,500 LBS. TRAILER WEIGHT & 350 LBS. TONGUE WEIGHT.
 GROSS LOAD CAPACITY WHEN USED AS A WEIGHT DISTRIBUTION HITCH: 5,000 LBS. TRAILER WEIGHT & 500 LBS. TONGUE WEIGHT

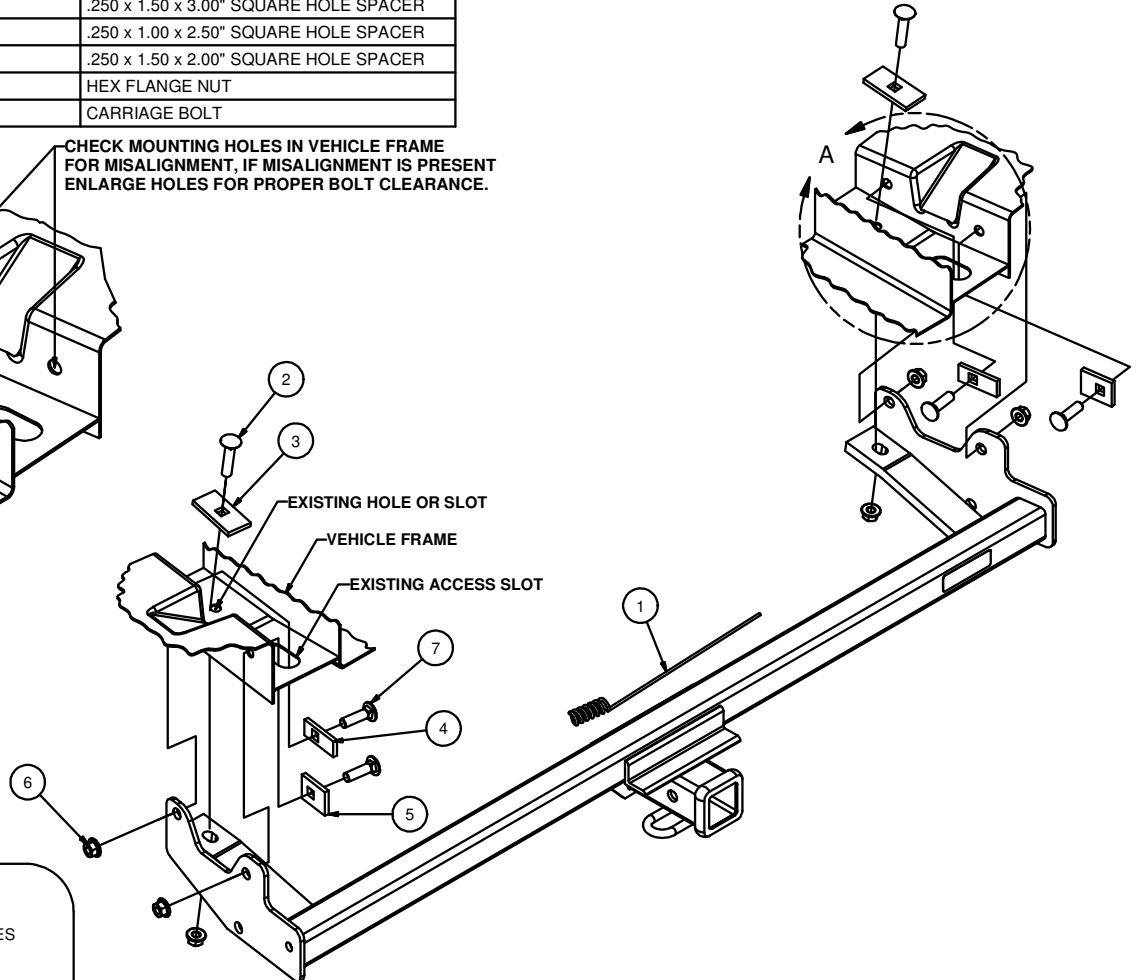
*****DO NOT EXCEED VEHICLE MANUFACTURER'S RECOMMENDED TOWING CAPACITY.*****

Parts List			
ITEM	QTY	PART NUMBER	DESCRIPTION
1	1	1/2"	FISHWIRE TOOL
2	2	1/2 - 13 x 2 1/4	CARRIAGE BOLT
3	2	CM-SP4	.250 x 1.50 x 3.00" SQUARE HOLE SPACER
4	2	CM-SP10	.250 x 1.00 x 2.50" SQUARE HOLE SPACER
5	2	CM-SP1	.250 x 1.50 x 2.00" SQUARE HOLE SPACER
6	6	HFN 1213	HEX FLANGE NUT
7	4	1/2-13 x 1 3/4	CARRIAGE BOLT

CHECK MOUNTING HOLES IN VEHICLE FRAME FOR MISALIGNMENT, IF MISALIGNMENT IS PRESENT ENLARGE HOLES FOR PROPER BOLT CLEARANCE.



DETAIL A

HITCH WEIGHT: 45 LBS.INSTALL TIME: 30 MINUTES

INSTALL NOTES:

FISHWIRE HARDWARE INTO POSITION,
 LOWER EXHAUST FOR EASE OF INSTALL

INSTALLATION STEPS

- 1) Lower exhaust by removing the rearmost exhaust hanger.
- 2) Fishwire the large spacer blocks and long carriage bolts into existing slots located on the bottom of the frame.
- 3) Raise the hitch into position under the frame and over the previously installed bolts. Attach a flange nut to each bolt. (Hand tighten only).
- 4) With the hitch in position fishwire the remaining fasteners through the large access slot on the bottom of the frame and out the existing holes on the side of the frame.
- 5) Torque the 1/2" hardware to 110 lb.-ft. and re-attach the exhaust.

PERIODICALLY CHECK THIS RECEIVER HITCH TO ENSURE THAT ALL FASTENERS ARE TIGHT AND THAT ALL STRUCTURAL COMPONENTS ARE SOUND.

Curt Manufacturing Inc., warrants this product to be free of defects in material and/or workmanship at the time of retail purchase by the original purchaser. If the product is found to be defective, Curt Manufacturing Inc., may repair or replace the product, at their option, when the product is returned, prepaid, with proof of purchase. Alteration to, misuse of, or improper installation of this product voids the warranty. Curt Manufacturing Inc.'s liability is limited to repair or replacement of products found to be defective, and specifically excludes liability for incidental or consequential loss or damage.

7/18/2012