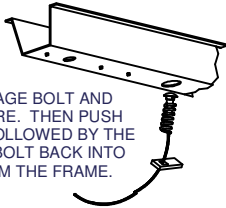


GROSS LOAD CAPACITY WHEN USED AS A WEIGHT CARRYING HITCH: 3,500 LBS. TRAILER WEIGHT & 350 LBS. TONGUE WEIGHT.
DO NOT EXCEED VEHICLE MANUFACTURER'S RECOMMENDED TOWING CAPACITY.

Parts List			
ITEM	QTY	PART NUMBER	DESCRIPTION
1	1	1/2"	FISHWIRE TOOL
2	6	1/2-13 x 1 1/2	CARRIAGE BOLT
3	6	CM-SP40	.188 x 1.00 x 3.00" SQUARE HOLE SPACER
4	6	HFN 1213	HEX FLANGE NUT

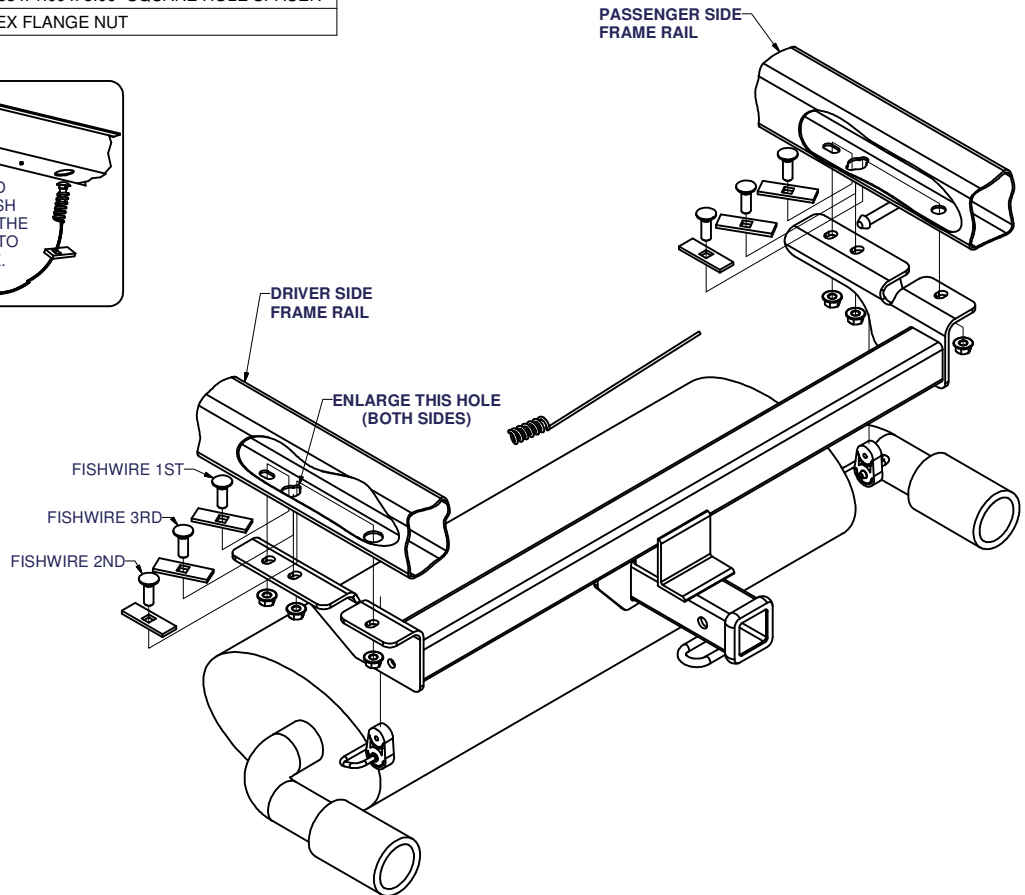
**REVERSE PULL
FISHWIRE TECHNIQUE**

TO FISHWIRE CENTER HOLE,
ATTACH FISHWIRE TO CARRIAGE BOLT AND
SLIDE SPACER ONTO FISHWIRE. THEN PUSH
THE BOLT THRU THE HOLE FOLLOWED BY THE
SPACER (AS SHOWN). PULL BOLT BACK INTO
POSITION, PROTRUDING FROM THE FRAME.



FRAME RAIL
DIRECTION

CENTER HOLE
ENLARGEMENT DIAGRAM



HITCH WEIGHT: 36 LBS.

INSTALL TIME: 30 MINUTES

INSTALL NOTES:

- LOWER EXHAUST
- ENLARGE HOLES (2)
- FISHWIRING REQUIRED

INSTALLATION STEPS

- 1) Lower (4) muffler exhaust hangers (recommend sliding rubber hanger off chassis side).
- 2) Enlarge center hole (enough to allow spacer and carriage bolts to pass through), on both sides as shown in diagram above.
- 3) Fishwire all carriage bolts and spacers into position (fishwire forward and aft fasteners first, then use reverse pull method for center hole as shown above).
- 4) Raise hitch into position and attach using supplied 1/2" hex flange nuts.
- 5) Torque all 1/2" fasteners to 110 lb-ft.
- 6) Re-install exhaust into original position.

PERIODICALLY CHECK THIS RECEIVER HITCH TO ENSURE THAT ALL FASTENERS ARE TIGHT AND THAT ALL STRUCTURAL COMPONENTS ARE SOUND.