

13842

03-04 NISSAN FRONTIER 2 & 4DR (LONG BOX)

10/8/2012

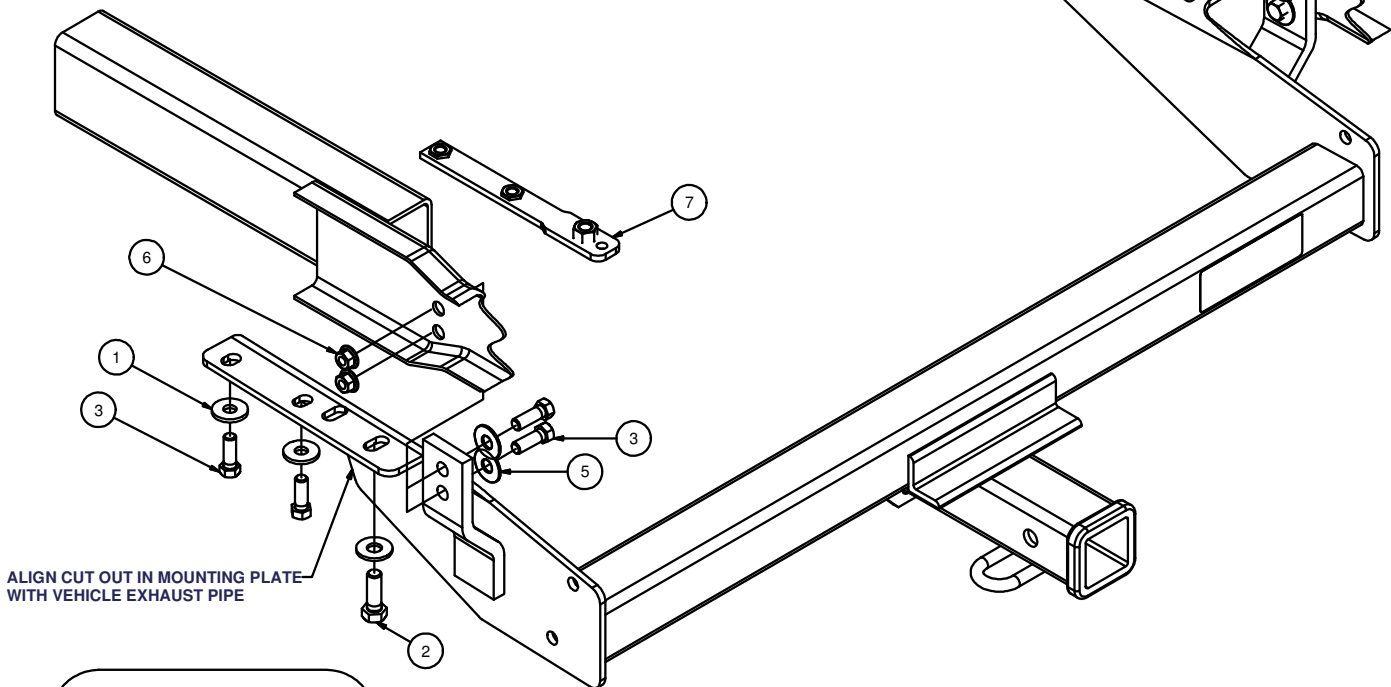
GROSS LOAD CAPACITY WHEN USED AS A WEIGHT CARRYING HITCH: 5,000 LBS. TRAILER WEIGHT & 500 LBS. TONGUE WEIGHT.
 GROSS LOAD CAPACITY WHEN USED AS A WEIGHT DISTRIBUTION HITCH: 8,000 LBS. TRAILER WEIGHT & 800 LBS. TONGUE WEIGHT

*****DO NOT EXCEED VEHICLE MANUFACTURER'S RECOMMENDED TOWING CAPACITY.*****

Parts List			
ITEM	QTY	PART NUMBER	DESCRIPTION
1	4	7/16"	CONICAL TOOTHED WASHER
2	2	1/2 - 13 x 1 1/2	HEX BOLT
3	8	7/16-14 x 1 1/4	HEX BOLT
4	2	1/2"	CONICAL TOOTHED WASHER
5	4	7/16 WASHER	WASHER
6	4	7/16-14	HEX FLANGE NUT
7	2	CM-NP2W	NUT PLATE WELDMENT

ALIGN PLATE WITH EXISTING
FRAME HOLES (BOTH SIDES)

MOUNTS TO INSIDE OF
BUMPER BRACKET
AS SHOWN



HITCH WEIGHT: 44 LBS.

INSTALL TIME: 30 MINUTES

INSTALL NOTES:

NO DRILLING REQUIRED

INSTALLATION STEPS

- 1) Insert nut plate into frame. Align hole in frame with nut plate.
- 2) Raise the hitch into position. Loosely attach hitch to frame at mounting locations near the bumper with the 1/2" hex bolts provided. Use 7/16" hex bolts in remaining fastener locations as shown.
- 3) Torque all 7/16" fasteners to 70 lb.-ft. and all 1/2" fasteners to 110 lb.-ft.

PERIODICALLY CHECK THIS RECEIVER HITCH TO ENSURE THAT ALL FASTENERS ARE TIGHT AND THAT ALL STRUCTURAL COMPONENTS ARE SOUND.

Curt Manufacturing Inc., warrants this product to be free of defects in material and/or workmanship at the time of retail purchase by the original purchaser. If the product is found to be defective, Curt Manufacturing Inc., may repair or replace the product, at their option, when the product is returned, prepaid, with proof of purchase. Alteration to, misuse of, or improper installation of this product voids the warranty. Curt Manufacturing Inc.'s liability is limited to repair or replacement of products found to be defective, and specifically excludes liability for incidental or consequential loss or damage.