

14080

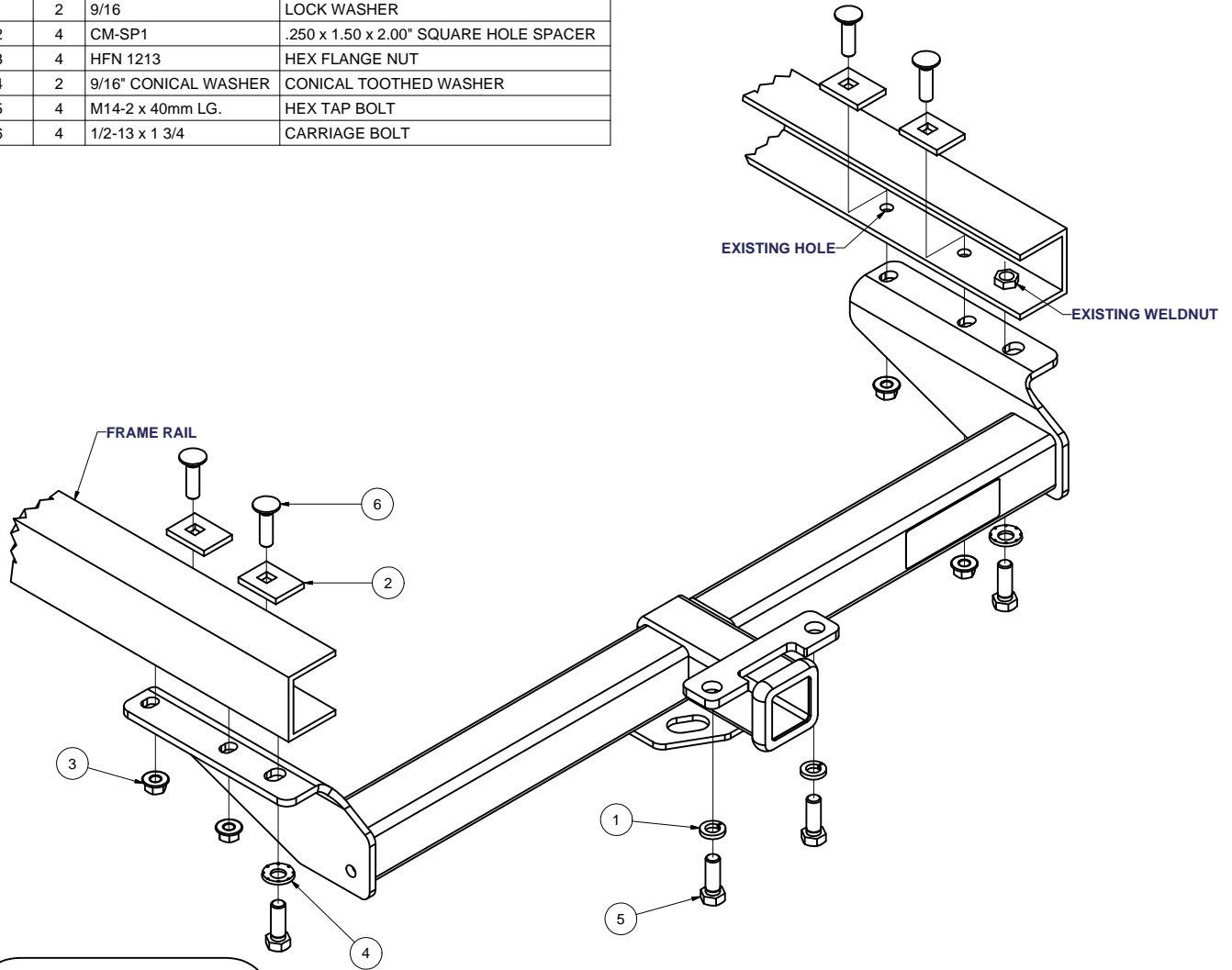
2000-02 CADILLAC ESCALADE SUV,
2002 CHEVY/GMC AVALANCHE,
2000-02 CHEVY/GMC SUBURBAN, YUKON XL, TAHOE, DENALI

7/7/2015

GROSS LOAD CAPACITY WHEN USED AS A WEIGHT CARRYING HITCH: 10,000 LBS. TRAILER WEIGHT & 1,000 LBS. TONGUE WEIGHT.
GROSS LOAD CAPACITY WHEN USED AS A WEIGHT DISTRIBUTION HITCH: 12,000 LBS. TRAILER WEIGHT & 1,200 LBS. TONGUE WEIGHT

DO NOT EXCEED VEHICLE MANUFACTURER'S RECOMMENDED TOWING CAPACITY.

Parts List			
ITEM	QTY	PART NUMBER	DESCRIPTION
1	2	9/16	LOCK WASHER
2	4	CM-SP1	.250 x 1.50 x 2.00" SQUARE HOLE SPACER
3	4	HFN 1213	HEX FLANGE NUT
4	2	9/16" CONICAL WASHER	CONICAL TOOTHED WASHER
5	4	M14-2 x 40mm LG.	HEX TAP BOLT
6	4	1/2-13 x 1 3/4	CARRIAGE BOLT



HITCH WEIGHT: 39 LBS.

INSTALL TIME: 30 MINUTES

INSTALL NOTES:

NO DRILLING REQUIRED

INSTALLATION STEPS

- 1) Remove the 14mm hex bolt from each side of the frame.
- 2) Raise the hitch into position, install the fasteners as shown.
- 3) Torque all 1/2" fasteners to 110 lb.-ft. and all 14mm fasteners to 126 lb.-ft.

PERIODICALLY CHECK THIS RECEIVER HITCH TO ENSURE THAT ALL FASTENERS ARE TIGHT AND THAT ALL STRUCTURAL COMPONENTS ARE SOUND.

Curt Manufacturing Inc., warrants this product to be free of defects in material and/or workmanship at the time of retail purchase by the original purchaser. If the product is found to be defective, Curt Manufacturing Inc., may repair or replace the product, at their option, when the product is returned, prepaid, with proof of purchase. Alteration to, misuse of, or improper installation of this product voids the warranty. Curt Manufacturing Inc.'s liability is limited to repair or replacement of products found to be defective, and specifically excludes liability for incidental or consequential loss or damage.