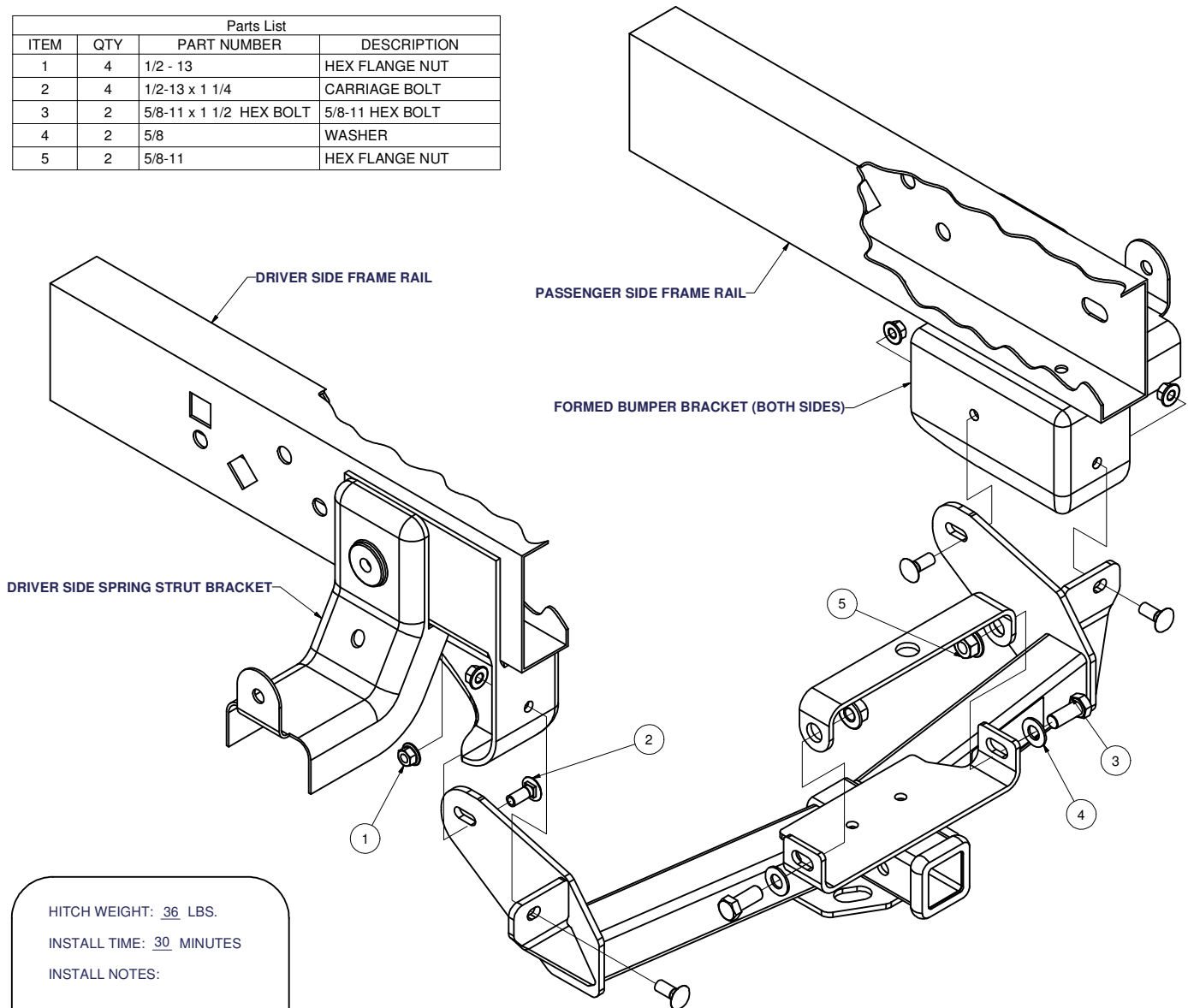


GROSS LOAD CAPACITY WHEN USED AS A WEIGHT CARRYING HITCH: 10,000 LBS. TRAILER WEIGHT & 1,000 LBS. TONGUE WEIGHT.  
GROSS LOAD CAPACITY WHEN USED AS A WEIGHT DISTRIBUTION HITCH: 12,000 LBS. TRAILER WEIGHT & 1,200 LBS. TONGUE WEIGHT  
**\*\*\*DO NOT EXCEED VEHICLE MANUFACTURER'S RECOMMENDED TOWING CAPACITY.\*\*\***

| Parts List |     |                         |                 |
|------------|-----|-------------------------|-----------------|
| ITEM       | QTY | PART NUMBER             | DESCRIPTION     |
| 1          | 4   | 1/2 - 13                | HEX FLANGE NUT  |
| 2          | 4   | 1/2-13 x 1 1/4          | CARRIAGE BOLT   |
| 3          | 2   | 5/8-11 x 1 1/2 HEX BOLT | 5/8-11 HEX BOLT |
| 4          | 2   | 5/8                     | WASHER          |
| 5          | 2   | 5/8-11                  | HEX FLANGE NUT  |



HITCH WEIGHT: 36 LBS.  
 INSTALL TIME: 30 MINUTES  
 INSTALL NOTES:  
**NO DRILLING REQUIRED**

### **INSTALLATION STEPS**

NOTE: If necessary, loosen (4) bumper bolts for improved hitch alignment.

- 1) Raise hitch into position between frame rails.
- 2) Install 5/8" fasteners into bumper with loops as shown.
- 3) Install remaining 1/2" fasteners as shown into each bumper bracket.
- 4) Torque all 5/8" fasteners to 210 lb-ft and all 1/2" fasteners to 110 lb-ft.

**PERIODICALLY CHECK THIS RECEIVER HITCH TO ENSURE THAT ALL FASTENERS ARE TIGHT AND THAT ALL STRUCTURAL COMPONENTS ARE SOUND.**