

15312

2001-10 CHEVY/GMC 2500HD AND 3500 LONG BED
(OEM REPLACEMENT WITH FACTORY CUTOUT BUMPER ONLY)

1/22/2013

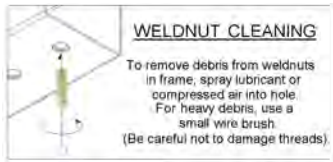
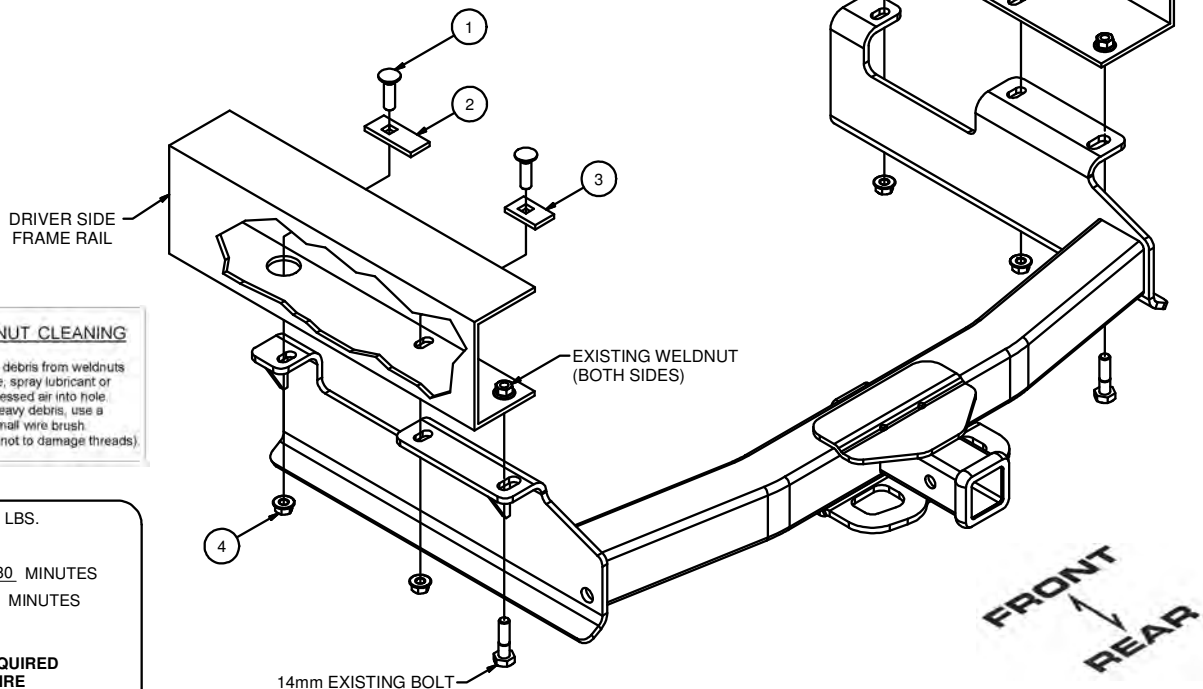
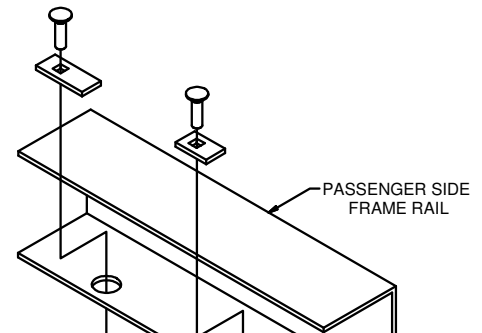
GROSS LOAD CAPACITY WHEN USED AS A WEIGHT CARRYING HITCH: 16,000 LBS. TRAILER WEIGHT & 2,400 LBS. TONGUE WEIGHT.
GROSS LOAD CAPACITY WHEN USED AS A WEIGHT DISTRIBUTION HITCH: 17,000 LBS. TRAILER WEIGHT & 2,400 LBS. TONGUE WEIGHT

DO NOT EXCEED VEHICLE MANUFACTURER'S RECOMMENDED TOWING CAPACITY.

HAVING INSTALLATION QUESTIONS? CALL TECHNICAL SUPPORT AT 1-800-798-0813

Parts List			
ITEM	QTY	PART NUMBER	DESCRIPTION
1	4	1/2-13 x 1 3/4	CARRIAGE BOLT
2	2	CM-SP19	.250 x 1.25 x 3.00" SQUARE HOLE SPACER
3	2	CM-SP3	.250 x 1.25 x 2.00" SQUARE HOLE SPACER
4	4	HFN 1213	HEX FLANGE NUT

TOOLS REQUIRED
SOCKET WRENCH
TORQUE WRENCH
21MM SOCKET
SOCKET EXTENSION
3/4" SOCKET



HITCH WEIGHT: 61 LBS.

INSTALL TIME

PROFESSIONAL: 30 MINUTES

NOVICE (DIY): 60 MINUTES

INSTALL NOTES:

- NO DRILLING REQUIRED
- LOWER SPARE TIRE

INSTALLATION STEPS

1. Remove spare tire for ease of installation.
2. Remove existing 14mm bolt from bumper bracket on both sides. Save bolt for reinstallation in Step 4.
3. Raise hitch and align it with the weldnuts from the 14mm bolts removed in Step 2.
4. Reinstall 14mm bolts in both sides.
5. Install 1/2-13 carriage bolt and SP19 spacer in the forward-most holes. Install 1/2-13 carriage bolt and SP3 spacer in the middle holes. Install 1/2-13 hex flange nuts onto carriage bolts as shown.
6. Reinstall spare tire.
7. Torque all 1/2" hardware to 110 ft-lbs. Torque all 14mm hardware to 126 ft-lbs.

PERIODICALLY CHECK THIS RECEIVER HITCH TO ENSURE THAT ALL FASTENERS ARE TIGHT AND THAT ALL STRUCTURAL COMPONENTS ARE SOUND.

Curt Manufacturing LLC., warrants this product to be free of defects in material and/or workmanship at the time of retail purchase by the original purchaser. If the product is found to be defective, Curt Manufacturing LLC., may repair or replace the product, at their option, when the product is returned, prepaid, with proof of purchase. Alteration to, misuse of, or improper installation of this product voids the warranty. Curt Manufacturing LLC.'s liability is limited to repair or replacement of products found to be defective, and specifically excludes liability for incidental or consequential loss or damage.