

15318

1994-1998 DODGE RAM LONG AND SHORT BED PICKUP WITH FACTORY BUMPER 1999-2002 DODGE RAM SHORT BED PICKUP WITH FACTORY BUMPER

8/20/2012

WILL NOT FIT SPORT WITH DUAL EXHAUST

GROSS LOAD CAPACITY WHEN USED AS A WEIGHT CARRYING HITCH: 16,000 LBS. TRAILER WEIGHT & 2,400 LBS. TONGUE WEIGHT.
GROSS LOAD CAPACITY WHEN USED AS A WEIGHT DISTRIBUTION HITCH: 17,000 LBS. TRAILER WEIGHT & 2,400 LBS. TONGUE WEIGHT

***** DO NOT EXCEED VEHICLE MANUFACTURER'S RECOMMENDED TOWING CAPACITY. *****

HAVING INSTALLATION QUESTIONS? CALL TECHNICAL SUPPORT AT 1-800-798-0813

Parts List			
ITEM	QTY	PART NUMBER	DESCRIPTION
1	2	9_16-12 x 1 3/4	CARRIAGE BOLT
2	2	CM-SP74	.250 x 1.50 x 3.00" 9/16" SQUARE HOLE SPACER
3	2	9_16-12 FLANGE NUT	HEX FLANGE NUT
4	4	1/2-13 x 1 3/4	CARRIAGE BOLT
5	2	CM-SP1	.250 x 1.50 x 2.00" SQUARE HOLE SPACER
6	2	CM-SP6	.250 x 1.00 x 3.00" SQUARE HOLE SPACER
7	4	HFN 1213	HEX FLANGE NUT

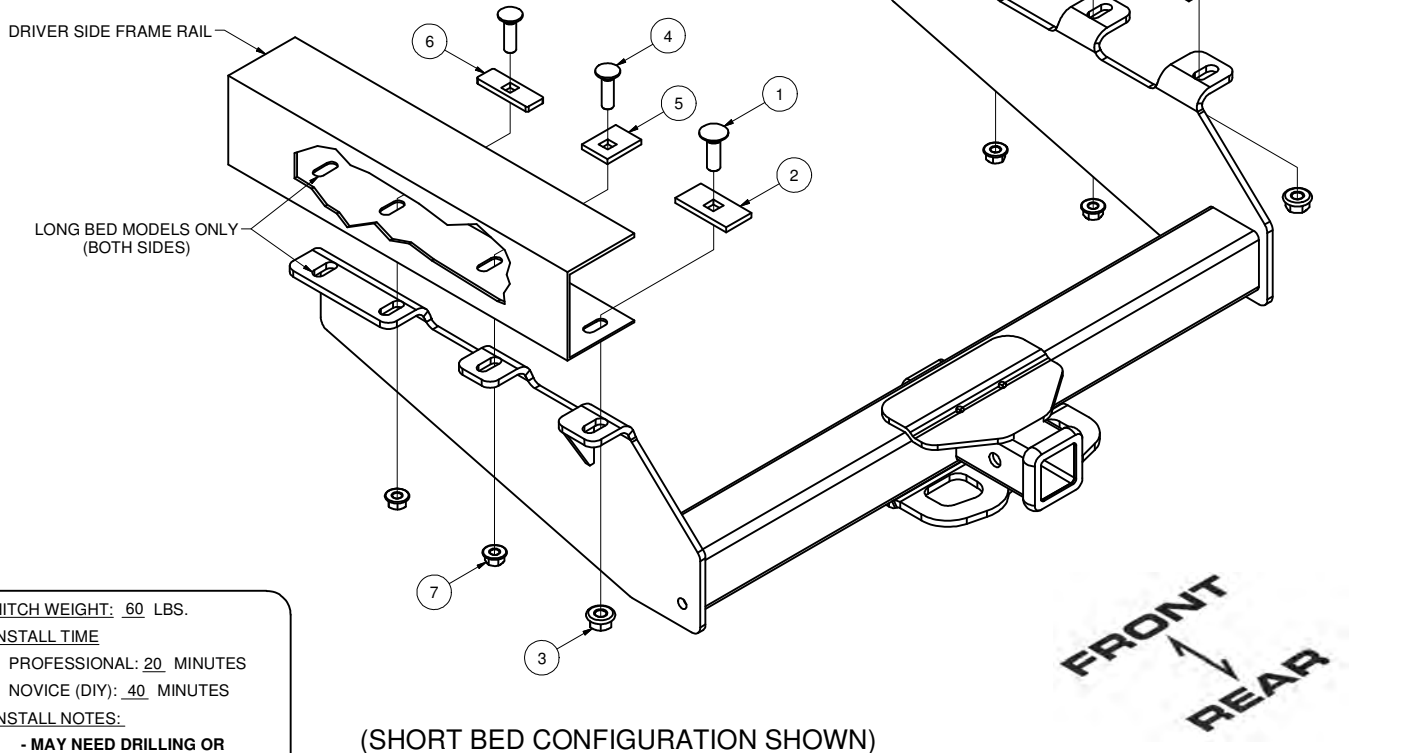
TOOLS REQUIRED

RATCHET

TORQUE WRENCH

3/4" SOCKET

7/8" SOCKET



HITCH WEIGHT: 60 LBS.

INSTALL TIME

PROFESSIONAL: 20 MINUTES

NOVICE (DIY): 40 MINUTES

INSTALL NOTES:

- MAY NEED DRILLING OR HOLE ENLARGEMENT

INSTALLATION STEPS

1. Raise hitch into position. Align rear holes in side plates with 1 1/8" round holes in rear of frame. On long bed models, forward most holes will line up with holes 16" forward of rear holes in frame.
2. Install hardware, as shown above. **Note:** 9/16" hardware should be located in vehicles rearmost mounting locations with CM-SP74 spacers. CM-SP1 spacers are used in middle holes and CM-SP6 spacers are used in forward most holes.
3. Torque all 1/2" hardware to 110 ft-lbs and all 9/16" hardware to 150 ft-lbs.

PERIODICALLY CHECK THIS RECEIVER HITCH TO ENSURE THAT ALL FASTENERS ARE TIGHT AND THAT ALL STRUCTURAL COMPONENTS ARE SOUND.

Curt Manufacturing LLC., warrants this product to be free of defects in material and/or workmanship at the time of retail purchase by the original purchaser. If the product is found to be defective, Curt Manufacturing LLC., may repair or replace the product, at their option, when the product is returned, prepaid, with proof of purchase. Alteration to, misuse of, or improper installation of this product voids the warranty. Curt Manufacturing LLC.'s liability is limited to repair or replacement of products found to be defective, and specifically excludes liability for incidental or consequential loss or damage.