

# 15319 1994-2002 DODGE RAM LONG BED WITH FACTORY BUMPER

4/29/2013

WILL NOT FIT SPORT WITH DAUL EXHAUST AND 2002 1500 SERIES

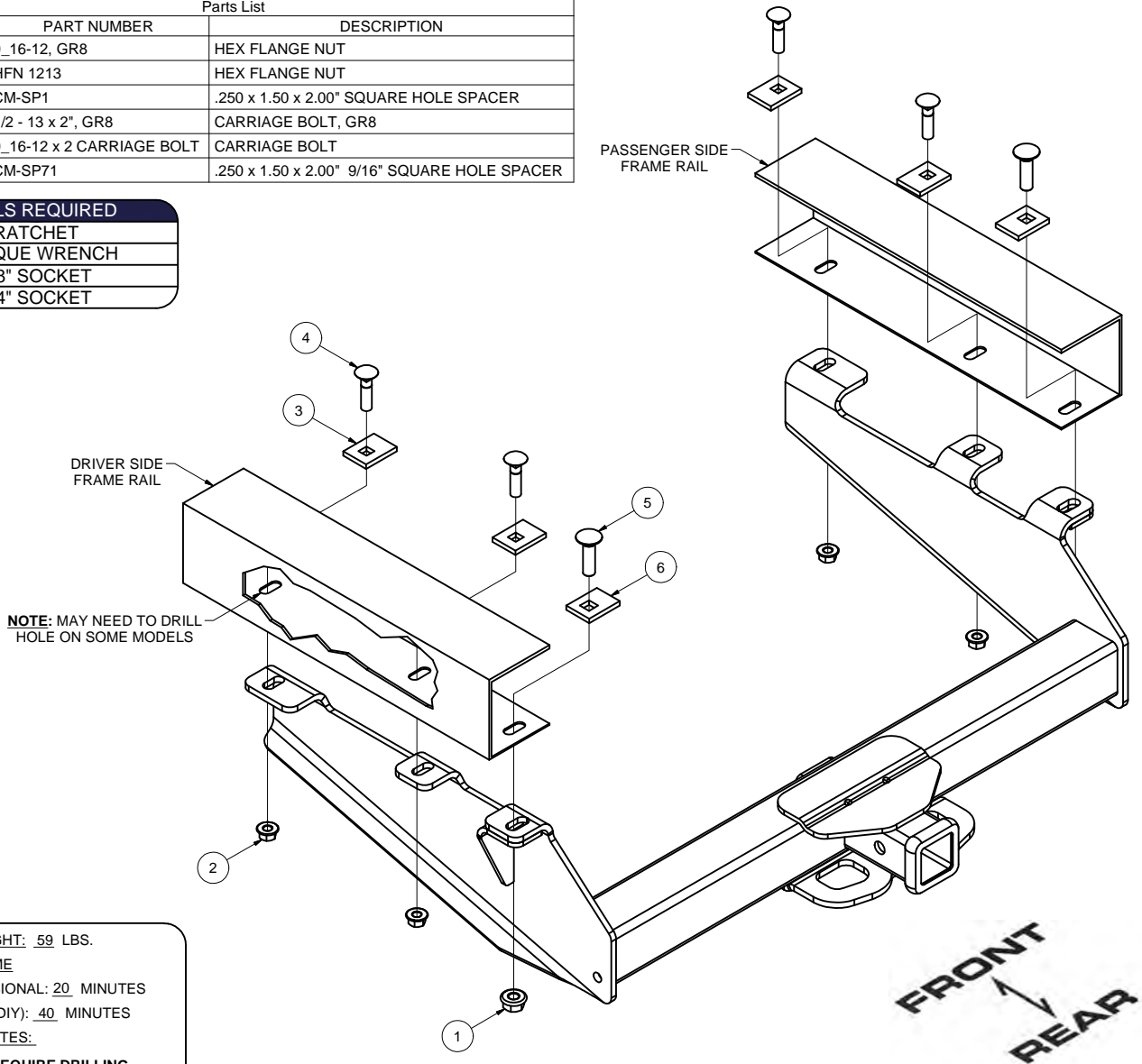
GROSS LOAD CAPACITY WHEN USED AS A WEIGHT CARRYING HITCH: 16,000 LBS. TRAILER WEIGHT & 2,400 LBS. TONGUE WEIGHT.  
 GROSS LOAD CAPACITY WHEN USED AS A WEIGHT DISTRIBUTION HITCH: 17,000 LBS. TRAILER WEIGHT & 2,400 LBS. TONGUE WEIGHT

\*\*\*DO NOT EXCEED VEHICLE MANUFACTURER'S RECOMMENDED TOWING CAPACITY.\*\*\*

HAVING INSTALLATION QUESTIONS? CALL TECHNICAL SUPPORT AT 1-800-798-0813

Parts List			
ITEM	QTY	PART NUMBER	DESCRIPTION
1	2	9_16-12, GR8	HEX FLANGE NUT
2	4	HFN 1213	HEX FLANGE NUT
3	4	CM-SP1	.250 x 1.50 x 2.00" SQUARE HOLE SPACER
4	4	1/2 - 13 x 2", GR8	CARRIAGE BOLT, GR8
5	2	9_16-12 x 2 CARRIAGE BOLT	CARRIAGE BOLT
6	2	CM-SP71	.250 x 1.50 x 2.00" 9/16" SQUARE HOLE SPACER

TOOLS REQUIRED
RATCHET
TORQUE WRENCH
7/8" SOCKET
3/4" SOCKET



HITCH WEIGHT: 59 LBS.

**INSTALL TIME**

PROFESSIONAL: 20 MINUTES

NOVICE (DIY): 40 MINUTES

**INSTALL NOTES:**

- MAY REQUIRE DRILLING

## INSTALLATION STEPS

1. Raise hitch and align rear mounting holes with 1-1/8" round holes at rear of driver and passenger side frame rails.
2. Install 9/16" carriage bolts and SP71 spacers in the rear most hole and 1/2" carriage bolts and SP1 spacers in the two forward most holes, both sides.
3. Secure hitch with hex flange nuts.
4. Torque all 1/2" hardware to 110 ft-lbs.  
Torque all 9/16" hardware to 150 ft-lbs.

PERIODICALLY CHECK THIS RECEIVER HITCH TO ENSURE THAT ALL FASTENERS ARE TIGHT AND THAT ALL STRUCTURAL COMPONENTS ARE SOUND.

Curt Manufacturing LLC., warrants this product to be free of defects in material and/or workmanship at the time of retail purchase by the original purchaser. If the product is found to be defective, Curt Manufacturing LLC., may repair or replace the product, at their option, when the product is returned, prepaid, with proof of purchase. Alteration to, misuse of, or improper installation of this product voids the warranty. Curt Manufacturing LLC.'s liability is limited to repair or replacement of products found to be defective, and specifically excludes liability for incidental or consequential loss or damage.