

16426

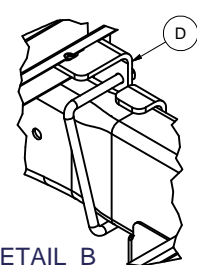
RAM 2500 AND 3500

6/9/2014

1 of 3

*** DO NOT EXCEED VEHICLE MANUFACTURER'S RECOMENDED TOWING CAPACITY ***

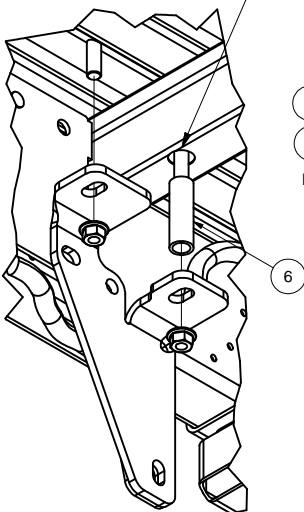
Parts List				Parts List			
ITEM	QTY	PART NUMBER	DESCRIPTION	ITEM	QTY	PART NUMBER	DESCRIPTION
1	3	1/2-13 x 4 1/2	CARRIAGE BOLT	A	1	16426-DSF	DRIVER SIDE FRONT BRACKET
2	8	1/2-13 x 1 3/4	CARRIAGE BOLT	B	1	16426-DSR	DRIVER SIDE REAR BRACKET
3	4	CM-SP33	.250 x 1.50 x 2.00" SQUARE HOLE SPACER	C	1	16426-DSRS	DRIVER SIDE REAR SPACER PLATE
4	8	CM-SP136	.313" x 1.00 x 2.00" U-SHAPE SPACER	D	1	16426-PSF	PASSENGER SIDE FRONT BRACKET
5	19	HFN 1213, GR8	HEX FLANGE NUT	E	1	16426-PSR-WA	PASSENGER SIDE REAR BRACKET
6	2	16426-TS	TUBE SPACER				
7	4	CM-1214-UBS	1/2-13 x 4.5 x 7.25 x 1 3/4 SQ U-BOLT				
8	1	CM-SP3	.250 x 1.25 x 2.00" SQUARE HOLE SPACER				
9	1	CM-116415-CT	CABLE TIE 11/64 X 15" 50# UV BLACK				



DETAIL B

TOOLS REQUIRED
RATCHET
TORQUE WRENCH
3/4" SOCKET
DRILL
CENTER PUNCH
1/8", 9/16", & 7/8" DRILL BITS
3/4" WRENCH
MEASURING TAPE
SAFETY GLASSES

TUBE SPACER ACCESS HOLE (DRILLED BOTH SIDES)



DETAIL A: SPACER DIAGRAM

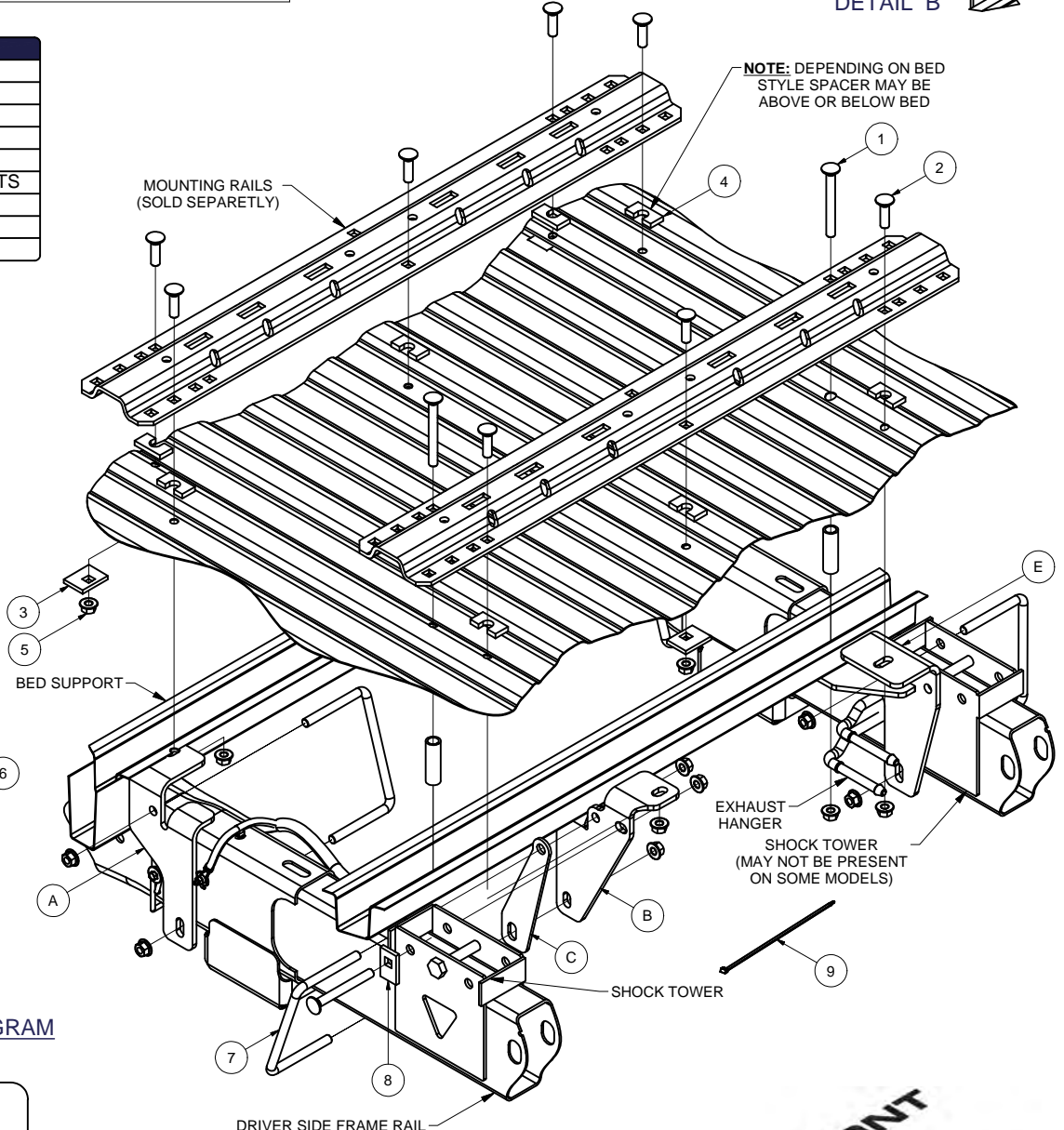


FIGURE 1: ASSEMBLY DIAGRAM

FRONT
↑
REAR

HITCH WEIGHT: 24 LBS.
 INSTALL TIME
 PROFESSIONAL: 90 MINUTES
 NOVICE (DIY): 180 MINUTES
 INSTALL NOTES:
 - LOWER SPARE TIRE
 - NO DRILLING REQUIRED

Curt Manufacturing LLC., warrants this product to be free of defects in material and/or workmanship at the time of retail purchase by the original purchaser. If the product is found to be defective, Curt Manufacturing LLC., may repair or replace the product, at their option, when the product is returned, prepaid, with proof of purchase. Alteration to, misuse of, or improper installation of this product voids the warranty. Curt Manufacturing LLC.'s liability is limited to repair or replacement of products found to be defective, and specifically excludes liability for incidental or consequential loss or damage.

WARNING:

- Do not install mounting rails over plastic bed liners. Plastic liners must be trimmed for metal to metal contact. (Mounting rails may be installed on spray on liner.)
- Use only supplied fasteners for installation.
- Before installing mounting rails and hitch, measure to be sure there will be enough clearance between the truck and trailer to allow for turns.

Installation Instructions:

1. Lower and remove the spare tire.
2. Place the rear mounting rail in the box of the truck. Using a tape measure center the rail between the box sides. Position the rail at the proper distance from the rear edge of the truck box as shown in Figure 2. **Note:** Rail must be perpendicular to the length of the truck bed.

WARNING: When drilling holes be aware of potential risks to vehicle components and make appropriate safe guards to protect them from damage.

- 3a. Mark and center punch the bolt positions, as shown in Figure 2. Move rail out of the way, drill (2) 1/8" holes in Row 1. Hold the (B) driver side rear bracket and (C) driver side rear spacer plate in position and verify they align with the hole in the bed and the hole in the shock tower, as shown in Figure 1. **Note:** If the wire harness interferes with the bracket, detach it from the inside of the driver side frame between the fuel tank and the shock tower. Hold the (E) passenger side rear bracket in position and verify it aligns with the hole in the bed and if present the shock tower hole, as shown in Figure 1. **Note:** If needed, lower the exhaust and heat shield to gain access to the passenger side frame.
- 3b. Reposition rear rail in place and measure 22" on center from rear to front rails. Drill 1/8" hole in Row 3. Check location of front holes in relation to the bed support to be sure there is space for the front brackets and fasteners to be secured. This process is to verify that the hole locations are correct due to bed support location variances.
- 3c. If an interference issue exists with the front bed support, it will be necessary to slightly shift the location of the holes and brackets towards the rear of the vehicle. Shift the (B & E) rear brackets toward the rear of the vehicle while checking that the supplied hardware will still pass through the bracket and the existing hole in the shock tower (if present). Mark and drill new hole locations through rear frame brackets. Verify bed support clearance similar to Step 3b. Repeat this entire process as necessary. If the vehicle does not have the passenger shock tower similar to the driver side, The supplied U-bolt will pass through the slot in the mounting bracket.
4. Temporarily position the rear frame brackets on the frame and check that the 1/8" drilled holes align with the slots in the brackets. Once in position center punch and drill the rest of the holes in Rows 1 and 2, as shown in Figure 2. Remove the frame brackets from the vehicle.
5. Enlarge the 1/8" holes to 9/16" in Rows 1 and 2.
6. From under the vehicle, enlarge the holes in the rear bed support to 7/8". This will allow the tube spacers to pass through.

Note: Do not enlarge the holes in the bed.

7. Reposition the rear mounting rail over the holes enlarged in Step 5.
8. Install the 1/2" x 1-3/4" carriage bolts with the u-shaped spacers in the rear holes of the rear rail (Row 1). Place the u-shaped spacers between the bracket and the bed to prevent the bed from collapsing when the bolts are tightened. Install the 1/2" x 4-1/2" carriage bolts in the front holes of the rear rail (Row 2).

Note: Depending on bed style, place spacers above or below bed.

9. On the rear driver side, slide the tube spacer up through the bed support, around the carriage bolt as shown in Detail A. While holding the tube spacers in position, Place the (B) driver side rear bracket and (C) driver side rear spacer plate on the inside of the frame, as shown in Figure 1. Install a U-bolt to hold the plate in position. The U-bolt wraps around the outside of the frame, right behind the rear bed support. Loosely install 1/2" flange nuts onto the ends of the bolts.
10. On the rear passenger side, slide the tube spacer up through the bed support, around the carriage bolt as shown in Detail A. While holding the tube spacers in position, place the (E) passenger side rear bracket on the inside of the frame, as shown in Figure 1. Install a U-bolt to hold the plate in position. The U-bolt wraps around the outside of the frame, right behind the rear bed support or if the shock tower is present, the top passes through the forward most hole in the shock tower. Loosely install 1/2" flange nuts onto the ends of the bolts.
11. Install the 1/2" x 1-3/4" carriage bolt in the center hole of the rear rail as shown in Figure 1. Place a u-shaped spacer between the rail and the bed, and secure the bolt with as 1-1/2" x 2" spacer and 1/2" flange nut on the bottom.
12. Place the unassembled 5th wheel saddles / slider / goose into the already installed mounting rail. Position the second mounting rail with saddles / slider / goose by inserting the tabs into the mounting rail and pushing the mounting rail tight towards the other mounting rail. Ensure that the mounting rail is centered between the box sides on the length of the truck box floor. This will position the mounting rail in the correct location and ensure that the 5th wheel will have a snug fit to the truck.

Note: If more than one hitch product will be used with the rails then both should be used at the same time to align the second rail. This will ensure that one product does not compromise the fit of the other.

WARNING:

- Do not install mounting rails over plastic bed liners. Plastic liners must be trimmed for metal to metal contact. (Mounting rails may be installed on spray on liner.)
- Use only supplied fasteners for installation.
- Before installing mounting rails and hitch, measure to be sure there will be enough clearance between the truck and trailer to allow for turns.

Installation Instructions:

13. Repeat Steps 3, 4, and 5 using the front frame brackets. The front edge of the bracket should be just behind the front bed support.
14. Loosely install the front frame brackets as follows:
 - a) Place both of the front brackets on the outside of the frame, as shown in Figure 1.
 - b) Secure each of the brackets with a u-bolt and 1/2" flange nuts as shown.

Note: The U-bolt on the driver side must be placed between the brake line and the frame. Improper placement of the driver side U-bolt may result in damage to the vehicle's braking system.
15. Install the 1/2" x 1-3/4" carriage bolts and u-shaped spacers in the front rail as shown in Figure 1. Place the u-shaped spacers between the rail and the bed. Attach the carriage bolts to the front frame brackets using 1/2" flange nuts. Attach the other carriage bolts to the bed using 1-1/2" x 2" spacers and 1/2" flange nuts.
16. Torque the fasteners to 110 lb-ft in the following sequence:
 - a) Torque the mounting rails to the frame brackets.
 - b) Torque the frame brackets to the truck frame.
17. If detached, reattach the wire harness to the inside of the passenger side frame. If necessary, use the supplied cable tie.
18. If lowered, reinstall the exhaust, heat shield, and spare tire.

FIGURE 2: RAIL LOCATION DIAGRAM