

# 16427

# RAM 2500 (WITHOUT PREP PACKAGE)

8/17/2015

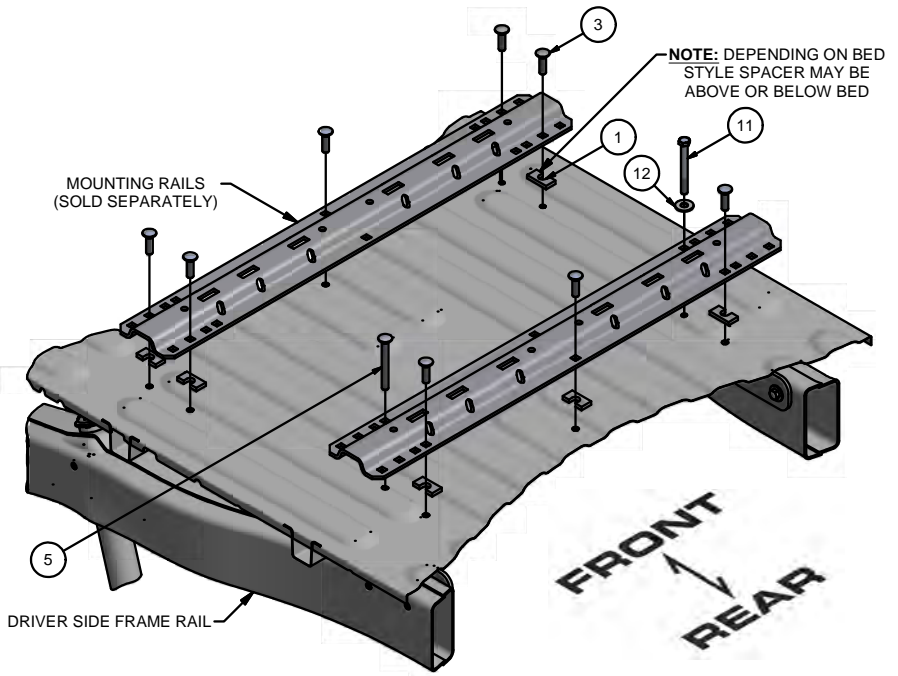
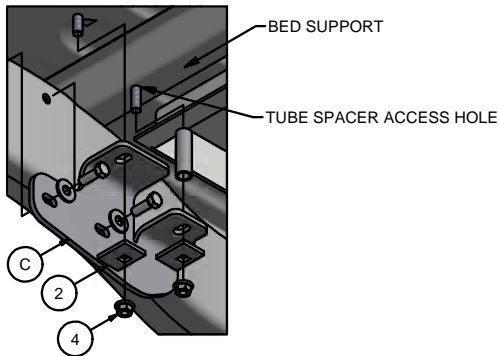
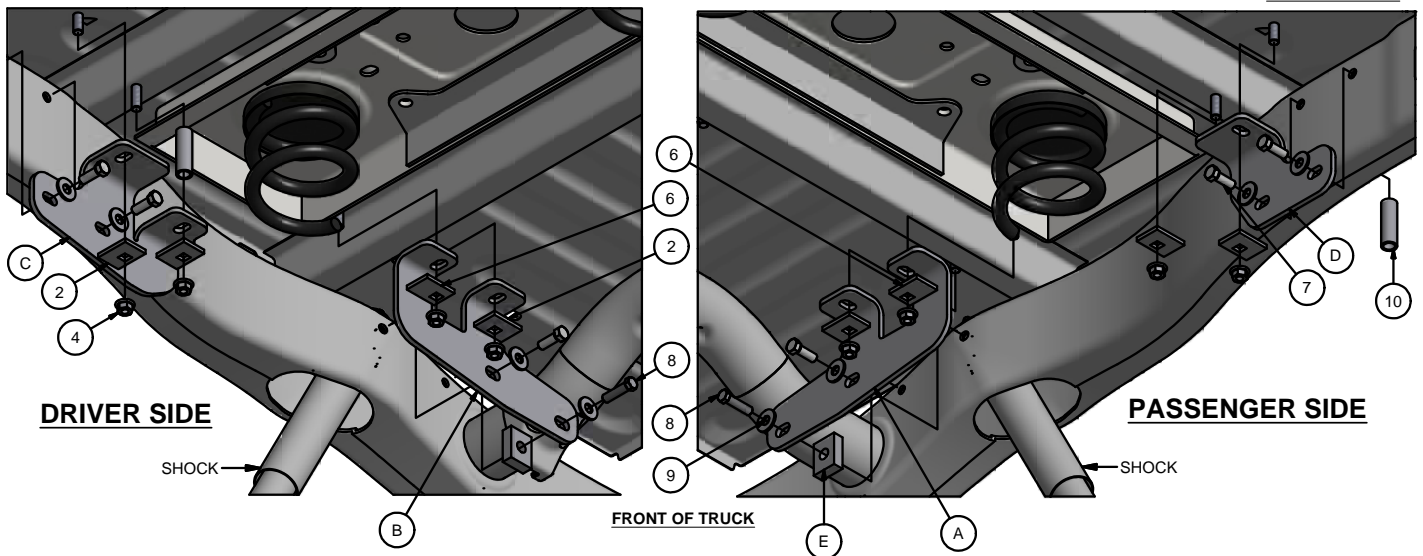
1 of 3

\*\*\* DO NOT EXCEED VEHICLE MANUFACTURER'S RECOMENDED TOWING CAPACITY \*\*\*

Parts List				Parts List			
ITEM	QTY	PART NUMBER	DESCRIPTION	ITEM	QTY	PART NUMBER	DESCRIPTION
1	10	CM-SP136	.313" x 1.00 x 2.00" U-SHAPE SPACER	A	1	16427-PSF	.313" PASSENGER SIDE FRONT PLATE
2	8	CM-SP33	.250 x 1.50 x 2.00" SQUARE HOLE SPACER	B	1	16427-DSF	.313" DRIVER SIDE FRONT PLATE
3	8	1/2-13 x 1 3/4	CARRIAGE BOLT	C	1	16427-DSR	.313" DRIVER SIDE REAR PLATE
4	10	HFN 1213, GR8	HEX FLANGE NUT	D	1	16427-PSR	.313" PASSENGER SIDE REAR PLATE
5	1	1/2-13 x 4 1/2	CARRIAGE BOLT	E	2	16427-SP	.625 x 2.00 SPACER
6	2	CM-SP44	.250 x 1.50 x 2.00" SQUARE HOLE SPACER				
7	6	M12-1.5 x 35mm	HEX BOLT				
8	2	M12 - 1.50 x 45 HEX TAP BOLT	HEX BOLT				
9	8	1/2"	CONICAL TOOTHED WASHER				
10	2	16427-TS	TUBE SPACER				
11	1	1_2 - 13 x 4 1_2 HEX	HEX BOLT				
12	1	FW12	FW, 12, ZP				

REAR OF TRUCK

REAR OF TRUCK



HITCH WEIGHT: 25 LBS.  
 INSTALL TIME  
 PROFESSIONAL: 90 MINUTES  
 NOVICE (DIY): 180 MINUTES  
 INSTALL NOTES:  
 - LOWER SPARE TIRE  
 - NO DRILLING REQUIRED

Curt Manufacturing LLC., warrants this product to be free of defects in material and/or workmanship at the time of retail purchase by the original purchaser. If the product is found to be defective, Curt Manufacturing LLC., may repair or replace the product, at their option, when the product is returned, prepaid, with proof of purchase. Alteration to, misuse of, or improper installation of this product voids the warranty. Curt Manufacturing LLC.'s liability is limited to repair or replacement of products found to be defective, and specifically excludes liability for incidental or consequential loss or damage.

**WARNING:**

- Do not install mounting rails over plastic bed liners. Plastic liners must be trimmed for metal to metal contact. (Mounting rails may be installed on spray on liner.)
- Use only supplied fasteners for installation.
- Before installing mounting rails and hitch, measure to be sure there will be enough clearance between the truck and trailer to allow for turns.

**Installation Instructions:**

1. Lower and remove the spare tire and exhaust heat shield for ease of installation.

**WARNING:** When drilling holes be aware of potential risks to vehicle components and make appropriate safe guards to protect them from damage.

2. Temporarily detach the wire and vacuum lines from in between the frame and the fuel tank to allow for the driver side front plate (B) to be placed into position.
3. Temporarily install the front mounting brackets (A & B) into position on the frame using 12mm bolts and 1/2" conical tooth washers into existing weldnuts in the frame (use spacers (E) as needed in front) with the plate straddling the truck bed support as shown on sheet 1. Pull the plates tight to the back of the bed support so that they are the same distance forward and aft. This is to make sure the mounting rail will be perpendicular to the length of the truck bed. Using a center punch, mark the locations of the center of the mounting rail hole locations in the bottom of the bed. Place the forward mounting rail in the bed of the truck and check to see that Rows 3 and 4 align with the center punch marks. Adjust center marks side to side as required. Move rail out of the way and drill 1/8" holes in Row 4 mounting locations. Check forward mounting brackets (A & B) to make sure they are aligned. Drill 1/8" holes in Row 3 mounting locations.
4. Remove the mounting rail and forward brackets (A & B) and enlarge the 1/8" holes to 9/16" in Rows 3 and 4. Reinstall the forward mounting brackets (A & B) and mounting rail with the 1/2" x 1-3/4" carriage bolts with the u-shaped spacers. Place the u-shaped spacers between the bracket or mounting rail and the bed to prevent the bed from collapsing when the bolts are tightened. Loosely install the supplied 1/2" flange nuts.
- 5a. Place the unassembled 5th wheel saddles / slider / goose into the already installed mounting rail. Position the second mounting rail with saddles / slider / goose by inserting the tabs into the mounting rail and pushing the mounting rail tight towards the other mounting rail. Ensure that the mounting rail is centered between the box sides on the length of the truck box floor. This will position the mounting rail in the correct location and ensure that the 5th wheel will have a snug fit to the truck. Drill the 1/8" holes in Row 1 and 2.

**Note:** If more than one hitch product will be used with the rails then both should be used at the same time to align the second rail. This will ensure that one product does not compromise the fit of the other.

**If hitch attachment is not available use step 5b for rear mounting rail placement**

- 5b. Place the rear mounting rail in the bed of the truck and place 22" on center from forward to rear rails. Center the rail side to side. Center punch the Row 1 hole locations. This process is to verify that the hole locations are correct due to bed support location variances. When aligned, drill the 1/8" holes in Row 1 and 2.

**Note:** If the wire harness interferes with the driver side rear bracket, Temporarily detach it from the inside of the driver side frame.

6. Enlarge the 1/8" holes to 9/16" in Rows 1 and 2.
7. From under the vehicle, enlarge the driver side hole in the rear bed support to 7/8". **Note:** Do not enlarge the holes in the bed. This will allow the tube spacer (10) to pass through easier. On the passenger side, slide the tube spacer (10) through the end of the bed support and into position of the drilled hole.

**NOTE:** Tube spacers may need to be shortened depending on the bed corrugation.

8. Install the 1/2" x 4-1/2" carriage bolt in the front hole of the rear rail on the driver side and the 1/2" x 4-1/2" hex bolt with 1/2" washer on the passenger side (Row 2).
9. On the rear driver side, slide the tube spacer up through the bed support, around the carriage bolt. While holding the tube spacers in position, reinstall the rear mounting brackets (C & D) and mounting rail with the 1/2" x 1-3/4" carriage bolts with the u-shaped spacers in Row 1. Loosely install the supplied 12mm bolts and 1/2" conical washers and 1/2" flange nuts as shown on sheet 1.
10. Install the 1/2" x 1-3/4" carriage bolt in the center hole of the mounting rails as shown on sheet 1. Place a u-shaped spacer between the rail and the bed, and secure the bolt with as 1-1/2" x 2" spacer and 1/2" flange nut on the bottom.
11. Torque the fasteners in the following sequence:
  - a) mounting rails to the frame brackets to 110 lb-ft.
  - b) frame brackets to the truck frame to 96 lb-ft.
12. If detached, reattach the wire harness / vacuum lines, heat shield and spare tire.

Curt Manufacturing LLC, warrants this product to be free of defects in material and/or workmanship at the time of retail purchase by the original purchaser. If the product is found to be defective, Curt Manufacturing LLC., may repair or replace the product, at their option, when the product is returned, prepaid, with proof of purchase. Alteration to, misuse of, or improper installation of this product voids the warranty. Curt Manufacturing LLC.'s liability is limited to repair or replacement of products found to be defective, and specifically excludes liability for incidental or consequential loss or damage.

**WARNING:**

- Do not install mounting rails over plastic bed liners. Plastic liners must be trimmed for metal to metal contact. (Mounting rails may be installed on spray on liner.)
- Use only supplied fasteners for installation.
- Before installing mounting rails and hitch, measure to be sure there will be enough clearance between the truck and trailer to allow for turns.

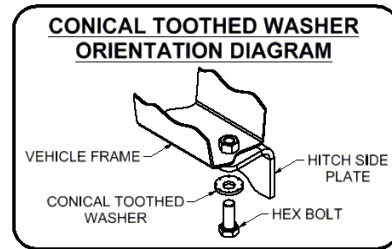
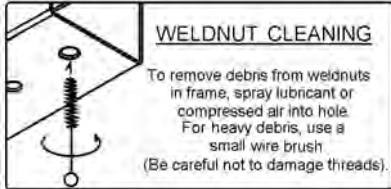
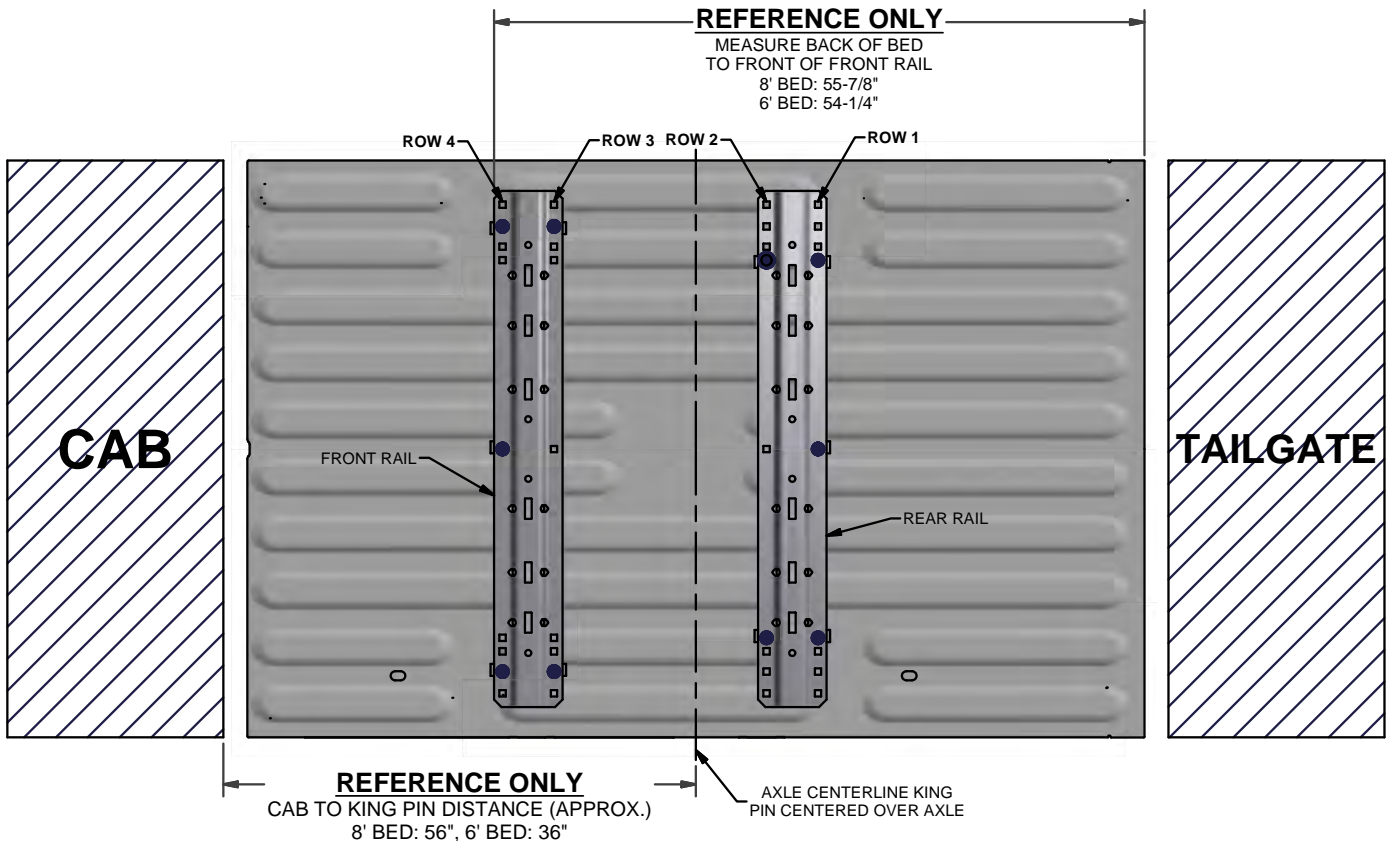


FIGURE 2: RAIL LOCATION DIAGRAM



Curt Manufacturing Inc., warrants this product to be free of defects in material and/or workmanship at the time of retail purchase by the original purchaser. If the product is found to be defective, Curt Manufacturing Inc., may repair or replace the product, at their option, when the product is returned, prepaid, with proof of purchase. Alteration to, misuse of, or improper installation of this product voids the warranty. Curt Manufacturing Inc.'s liability is limited to repair or replacement of products found to be defective, and specifically excludes liability for incidental or consequential loss or damage.