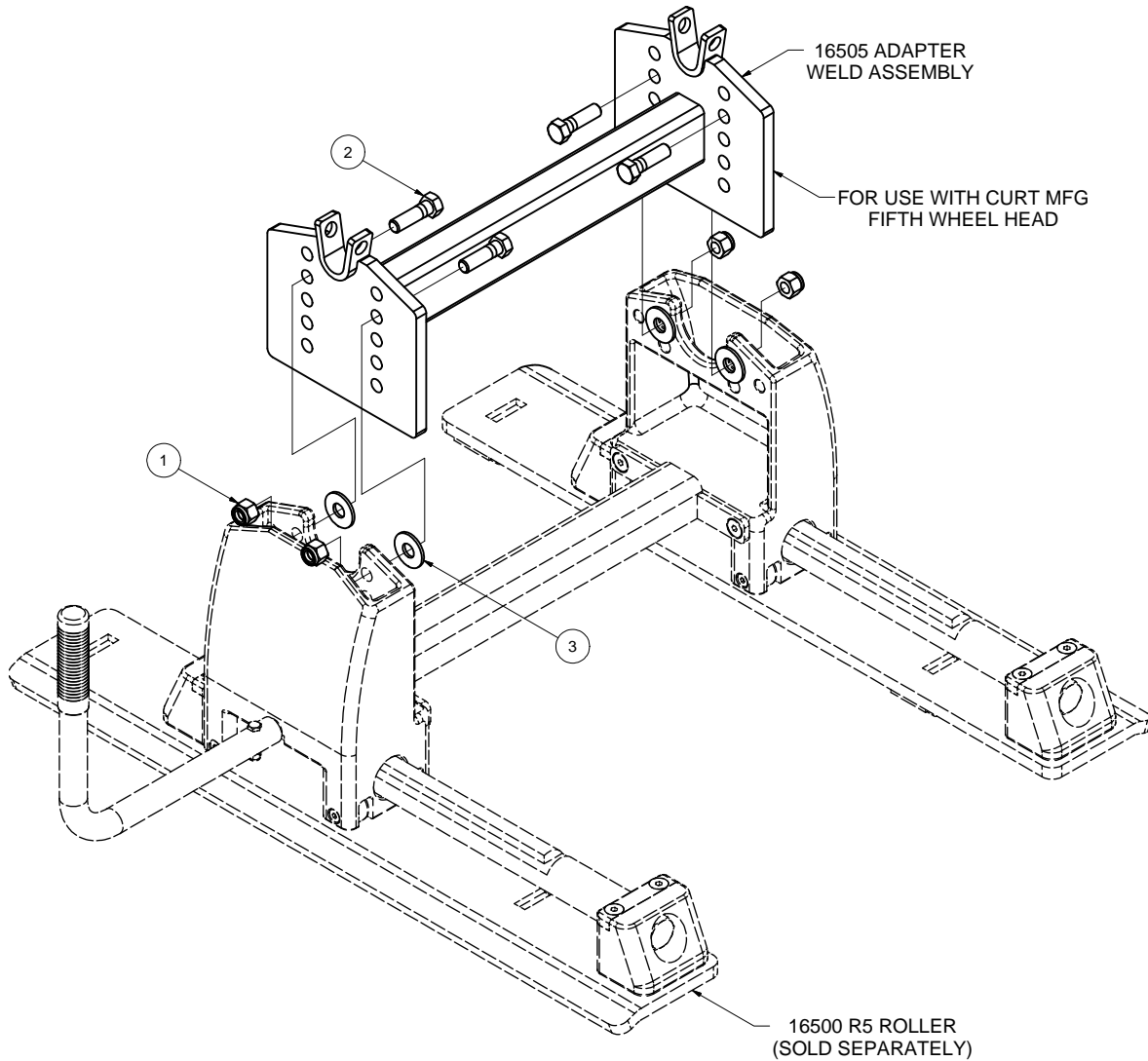


# 16505

# CURT 16115 ADAPTER KIT

4/2/2014

Parts List			
ITEM	QTY	PART NUMBER	DESCRIPTION
1	4	1_2 - 13	NYLOCK HEX NUT
2	4	1/2-13 x 1 3/4	HEX BOLT
3	4	FW12	FW, 12, ZP



## INSTALLATION STEPS

1. Insert 16505 Adapter Weld Assembly between castings of 16500 R5 Roller as shown.
2. Adjust assembly to desired height and secure with 1/2"-13 bolts and nylock nuts.  
**Note:** Use 1/2" washers to shim center if needed.
3. Torque all 1/2" fasteners to 55-65 lb-ft.
4. Install Curt 16115 fifth wheel head and secure with existing hardware.

**PERIODICALLY CHECK THIS RECEIVER HITCH TO ENSURE THAT ALL FASTENERS ARE TIGHT AND THAT ALL STRUCTURAL COMPONENTS ARE SOUND.**

Curt Manufacturing Inc., warrants this product to be free of defects in material and/or workmanship at the time of retail purchase by the original purchaser. If the product is found to be defective, Curt Manufacturing Inc., may repair or replace the product, at their option, when the product is returned, prepaid, with proof of purchase. Alteration to, misuse of, or improper installation of this product voids the warranty. Curt Manufacturing Inc.'s liability is limited to repair or replacement of products found to be defective, and specifically excludes liability for incidental or consequential loss or damage.