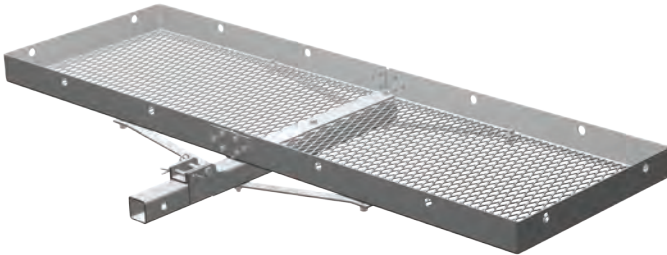


INSTALLATION INSTRUCTIONS

WARNING: NEVER EXCEED YOUR VEHICLE MANUFACTURER'S RECOMMENDED TOWING CAPACITY

FOLDABLE HITCH-MOUNTED CARGO CARRIER



PARTS LIST

Item#	Qty	Description
1	2	Platform half
2	4	Carriage bolt, M10*30
3	1	Flat brace
4	2	Carriage bolt, M10*80
5	14	Locknut, M10
6	1	Shank, 2"
7	2	Support bridge
8	1	Hex head bolt, M16*80
9	1	Foldable connection bar
10	1	Clip
11	1	Pin, 5/8"
12	1	Locknut, M16
13	2	Connecting plate
14	2	Brace
15	8	Carriage bolt, M10*20

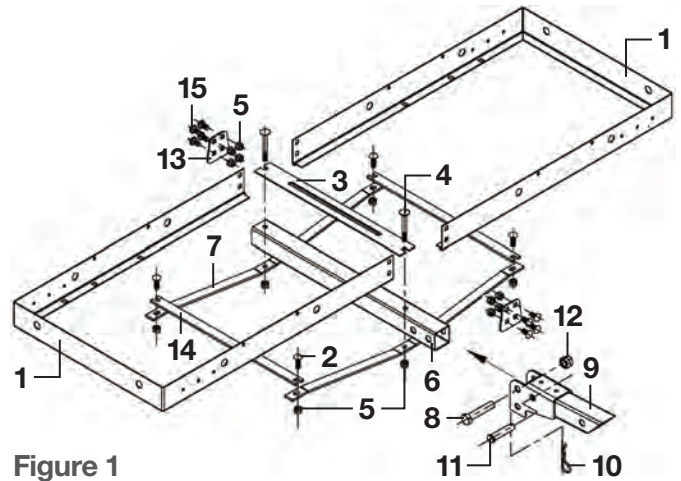


Figure 1

SUGGESTED TOOLS

Open wrench, 17mm and 24mm



Adjustable wrench, 0 to 300mm



WARNINGS

Do not exceed maximum weight capacity of 500 lbs. when using 2" receiver tube. Distribute the weight evenly on platform when hauling a load. **NOTE:** This carrier is not intended for transporting people.

Do not carry loads wider or deeper than carrier. Do not carry flammable items on carrier. Do not allow exhaust fumes to blow directly on items. This is a fire hazard.

CURT Manufacturing, LLC is not responsible for any damage if warnings are not heeded.

ASSEMBLY

Step 1

Align the two platform halves (#1), as shown below. Using the top two holes only, connect the platform halves (#1) and connecting plates (#13) with M10*20 carriage bolts (#15) and M10 locknuts (#5). Tighten to 80% only.

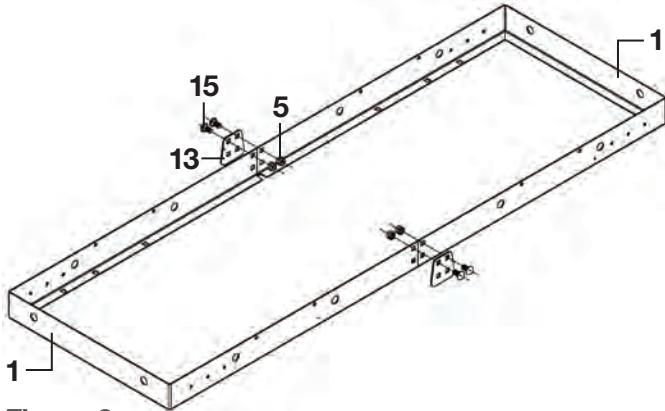


Figure 2

Step 2

Put the 2" shank (#6) under the middle of platform (#1). Place the support bridge (#7) under the 2" shank (#6). Place the flat brace (#3) in the top middle of the platform (#1). Connect by tightening the M10*80 carriage bolt (#4) and M10 locknut (#5) to 80% tightness.

Step 3

Now, place brace (#14) on the top side of each end of the support bridge (#7). Secure with M10*30 carriage bolts (#2) and M10 locknuts (#5) to 80% tightness.

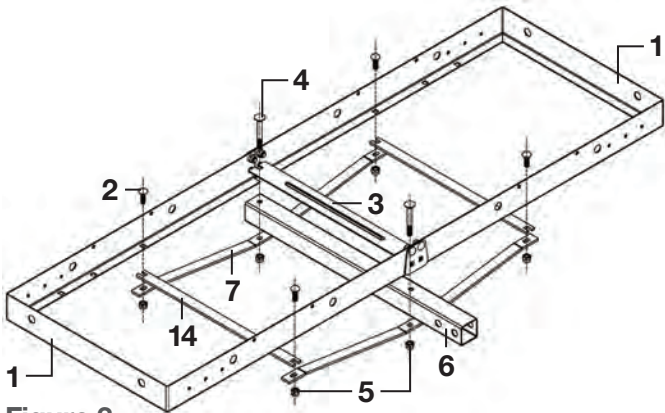


Figure 3

Step 4

Using the bottom two holes, finish connecting the platform halves (#1) and connecting plates (#13) with M10*20 carriage bolts (#15) and M10 locknuts (#5). Tighten to 80% only.

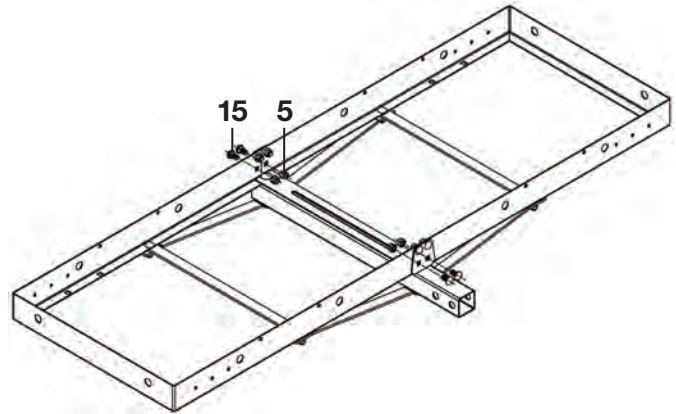


Figure 4

Step 5

Fully tighten all of the bolts and locknuts.

Step 6

Insert the 2" shank (#6) into the foldable connection bar (#9). Align all of the holes. Insert the M16*80 hex head bolt (#8) through the hole closest to the cargo carrier and secure with M16 locknut (#12). The pin (#11) should be inserted in the hole closest to the vehicle. To fold the basket, remove pin (#11), fold basket up, and place pin (#11) in the lower hole. The clip (#10) must always be attached to the pin.

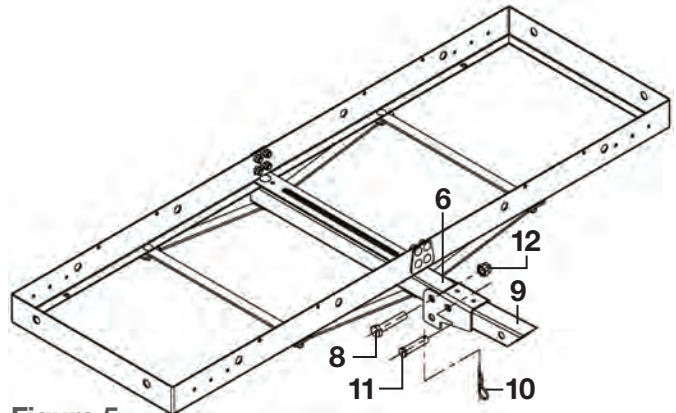


Figure 5