

# INSTALLATION INSTRUCTIONS

**WARNING: NEVER EXCEED YOUR VEHICLE MANUFACTURER'S RECOMMENDED TOWING CAPACITY**

## ATV CARGO CARRIER



### ASSEMBLY 1

Unpack and layout all parts. Identify all parts according to Figures 1 and 2 and the parts list.

Position the cargo carrier (#1) so it is centered on the rear rack of the ATV. **NOTE:** The rack extension of the ATV may have to be removed before the cargo carrier can be installed.

Position any two sets of mounting plates (#3, #4 or #5) under the ATV rack so the mounting plate's holes line up with the holes of the cargo carrier. Insert M8\*50 bolts (#6) through washers (#7), rear flat rack and into the mounting plates. Leave the bolts loose until all of the bolts have been installed. **NOTE:** If the mounting plates do not work, refer to 'Assembly 2'.

Align cargo carrier evenly on the ATV rack and tighten all bolts.

Insert the square tube plugs (#12) into square tube openings.

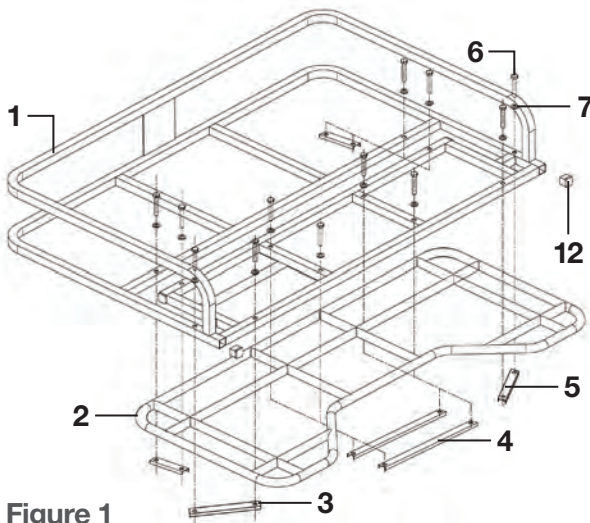


Figure 1

## PARTS LIST

Item#	Qty	Description
1	1	Cargo carrier
2	1	ATV rack (the existing rack)
3	2	Mounting plate, 3"
4	2	Mounting plate, 11.75"
5	2	Mounting plate, 5.4"
6	12	Bolt, M8*50
7	12	Flat washer, M8
8	8	Mounting bracket
9	8	Bolt, M6*75
10	16	Flat washer, M6
11	8	Lock nut, M6
12	2	Square tube plug

### ASSEMBLY 2

Position the mounting brackets (#8) so when the bolts are installed they will be on both sides of a frame rail of the cargo carrier (#1) and the ATV rack.

Using mounting brackets (8), M6\*75 bolts (#9), flat washers (#10) and lock nuts (#11), secure the rear flat rack to the ATV rack.

Repeat Steps 1 and 2, spacing the mounting brackets out evenly over the surface of the cargo carrier.

Insert the square tube plugs (#12) into square tube openings.

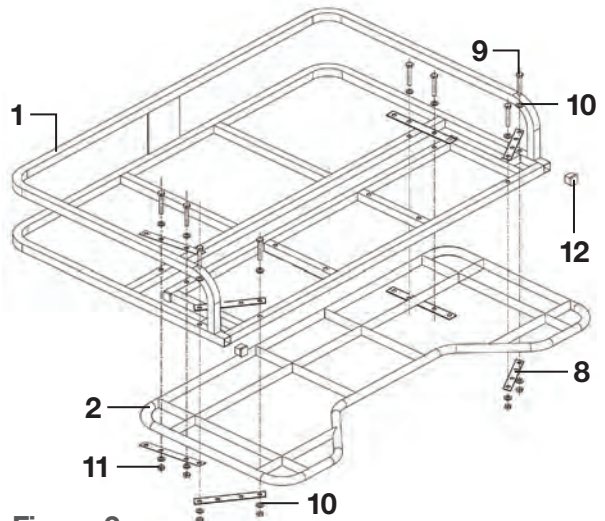


Figure 2