

# INSTALLATION INSTRUCTIONS

**WARNING: NEVER EXCEED YOUR VEHICLE MANUFACTURER'S RECOMMENDED TOWING CAPACITY**

## ROOF BASKET EXTENSION



## PARTS LIST

| Item# | Qty | Description      |
|-------|-----|------------------|
| 1     | 1   | Basket extension |
| 2     | 4   | Machine screw    |
| 3     | 1   | Allen wrench     |
| 4     | 2   | Side plate       |

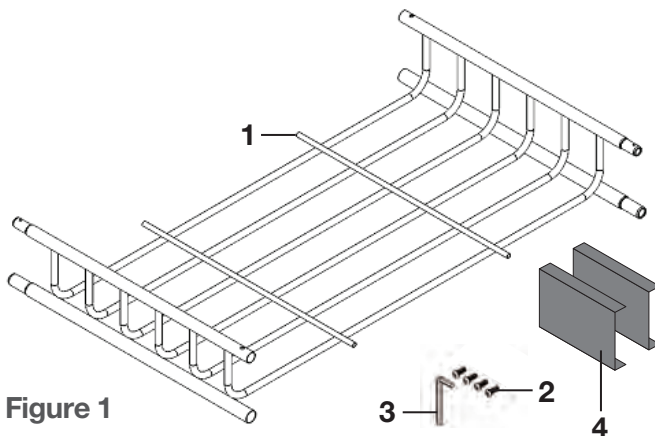


Figure 1

## WARNINGS

This roof basket and extension is designed to attach to the CURT 18115 roof basket. Before using the basket, ensure that the universal brackets are securely attached to the vehicle cross bars. Periodically check to ensure all knobs and screws are tight. Remove the basket when not in use.

## ASSEMBLY

### Step 1

Remove the screws and side plates from the the CURT roof basket and separate the two halves using the provided Allen wrench, as shown in figure 2.

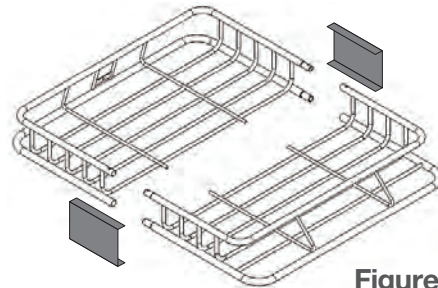


Figure 2

### Step 2

Secure the extension (#1) between the two halves of the roof basket as shown in figure 3. Attach the side plates (#4) and secure with the provided machine screws (#2).

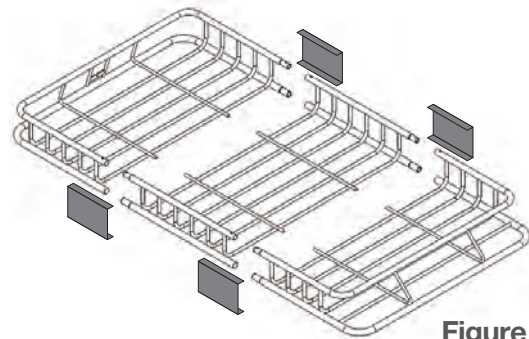


Figure 3

### Step 3

Secure the roof basket to the vehicle following the instructions provided with the CURT roof basket. See figure 4.

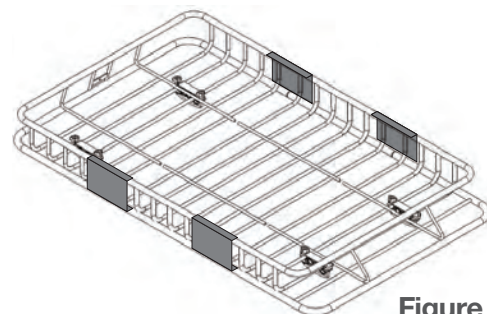


Figure 4