

**31650****FORD ESCAPE, MERCURY MARINER, MAZDA TRIBUTE**

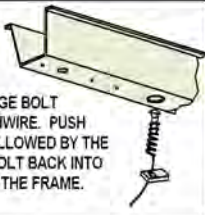
11/26/2012

GROSS LOAD CAPACITY WHEN USED AS A WEIGHT CARRYING HITCH: 3,500 LBS. TRAILER WEIGHT &amp; 350 LBS. TONGUE WEIGHT.

GROSS LOAD CAPACITY WHEN USED AS A STRAIGHT LINE PULL: 9,000 LBS. MAX. LINE PULL.

**\*\*\*DO NOT EXCEED VEHICLE MANUFACTURER'S RECOMMENDED TOWING CAPACITY.\*\*\***

Parts List			
ITEM	QTY	PART NUMBER	DESCRIPTION
1	2	HFN 1213	HEX FLANGE NUT
2	2	1/2-13 x 1 1/4	CARRIAGE BOLT
3	2	7/16-14	HEX FLANGE NUT
4	2	7/16-14 x 1 1/4	CARRIAGE BOLT
5	2	CM-SP2	.250 x .88 x 2.25" SQUARE HOLE SPACER
6	2	CM-SP6	.250 x 1.00 x 3.00" SQUARE HOLE SPACER
7	1	1_2 FISHWIRE	1/2" FISHWIRE
8	1	7_16 FISHWIRE	7/16" FISHWIRE

DRIVER SIDE  
FRAME RAIL**REVERSE PULL FISHWIRE  
TECHNIQUE**

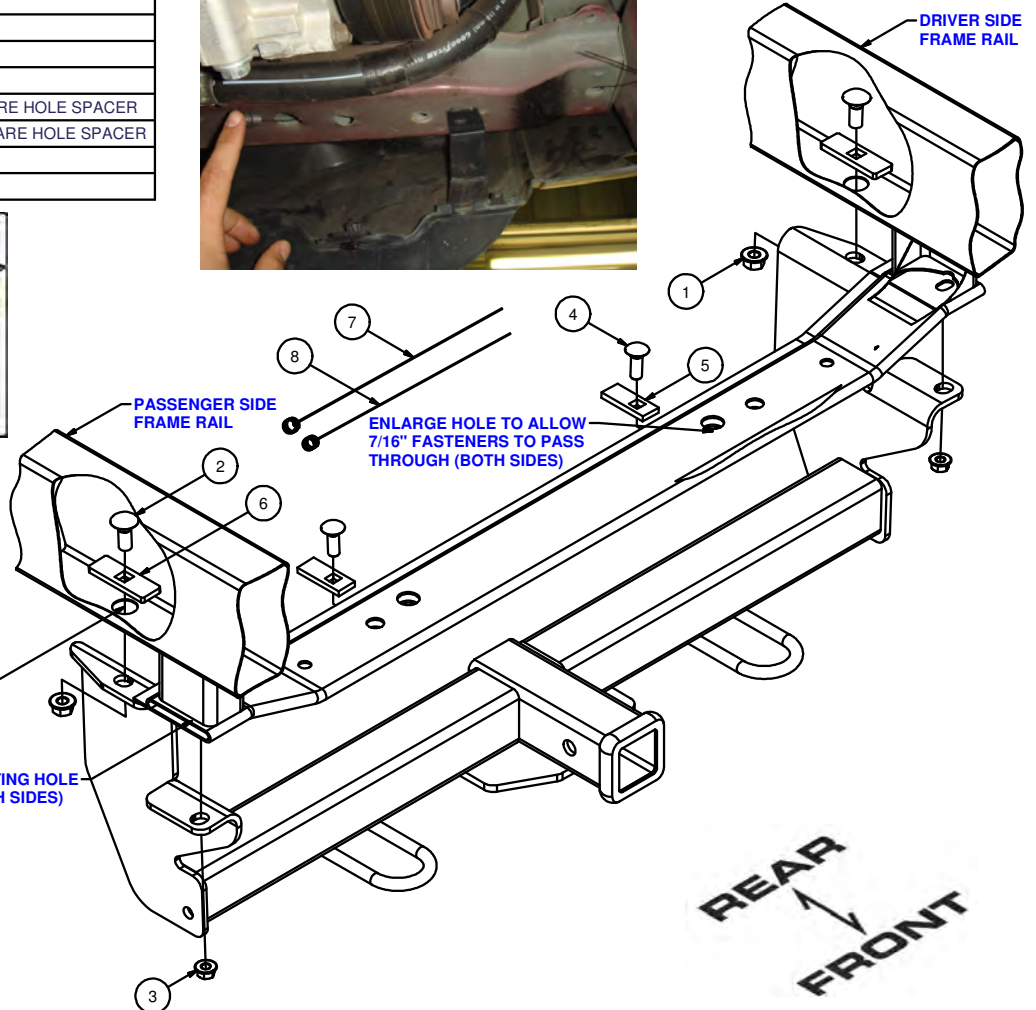
ATTACH FISHWIRE TO CARRIAGE BOLT AND SLIDE SPACER ONTO FISHWIRE. PUSH THE BOLT THRU THE HOLE FOLLOWED BY THE SPACER (AS SHOWN). PULL BOLT BACK INTO POSITION, PROTRUDING FROM THE FRAME.

**TOOLS REQUIRED**

3/8" DRIVE RATCHET  
3/8" DRIVE EXTENTION  
3/4" - 3/8" DRIVE SOCKET  
11/16" - 3/8" DRIVE SOCKET  
10mm - 3/8" DRIVE SOCKET  
3/8" DRIVE TORQUE WRENCH  
DREMEL TOOL / DIE GRINDER  
PHILLIPS HEAD SCREW DRIVER

ENLARGE HOLE TO REVERSE  
PULL 1/2" HARDWARE (BOTH SIDES)

EXISTING HOLE  
(BOTH SIDES)



REAR  
↑  
FRONT

HITCH WEIGHT: 36 LBS.INSTALL TIME: 90 MINUTES

INSTALL NOTES:

- HOLE ENLARGEMENT REQUIRED
- TRIM UNDERBODY PANELS
- FISHWIRING REQUIRED

**INSTALLATION STEPS**

- 1) Remove under body plastic panels and air dam from vehicle.
- 2) Enlarge indicated holes in frame rail and front support beam to allow hardware to pass through.
- 3) Test fit hitch on vehicle and trim plastic under body panels as needed to fit back onto vehicle. Remove hitch and re-install under body panels.
- 4) Fishwire 7/16" bolts and spacers into front support beam. Reverse fishwire pull 1/2" bolts and spacers into frame rails as shown in the diagrams above.
- 5) Raise hitch back into position and fasten with supplied nuts. Trim the plastic air dam as required for receiver tube clearance.
- 6) Torque all 7/16" fasteners to 70 lb-ft, and all 1/2" fasteners to 110 lb-ft.

**PERIODICALLY CHECK THIS RECEIVER HITCH TO ENSURE THAT ALL FASTENERS ARE TIGHT AND THAT ALL STRUCTURAL COMPONENTS ARE SOUND.**

Curt Manufacturing Inc., warrants this product to be free of defects in material and/or workmanship at the time of retail purchase by the original purchaser. If the product is found to be defective, Curt Manufacturing Inc., may repair or replace the product, at their option, when the product is returned, prepaid, with proof of purchase. Alteration to, misuse of, or improper installation of this product voids the warranty. Curt Manufacturing Inc.'s liability is limited to repair or replacement of products found to be defective, and specifically excludes liability for incidental or consequential loss or damage.

\*\*\***DO NOT EXCEED VEHICLE MANUFACTURER'S RECOMMENDED TOWING CAPACITY**\*\*\*.

### FRONT MOUNTED ACCESSORIES

1) Do not exceed front axle Gross Weight Rating (GAWR). Consult owners manual or specification plate located on driver's door frame. Measure gross front axle weight by placing front wheels of loaded vehicle on a scale.

**WARNING:** Exceeding GAWR may overload the front axle and/or suspension. This could result in **accident, property damage and personal injury.**

- 2) Reposition front mounted license plate if obstructed.
- 3) Do not obstruct vehicle lights.
- 4) Allow free air flow into grille opening.
- 5) Rear wheel traction may be reduced. This could effect handling. Reduce speed and drive with caution.
- 6) Accessories extend front of vehicle. This may reduce approach angle. Use caution when parking and maneuvering.
- 7) Do not obstruct driver view.

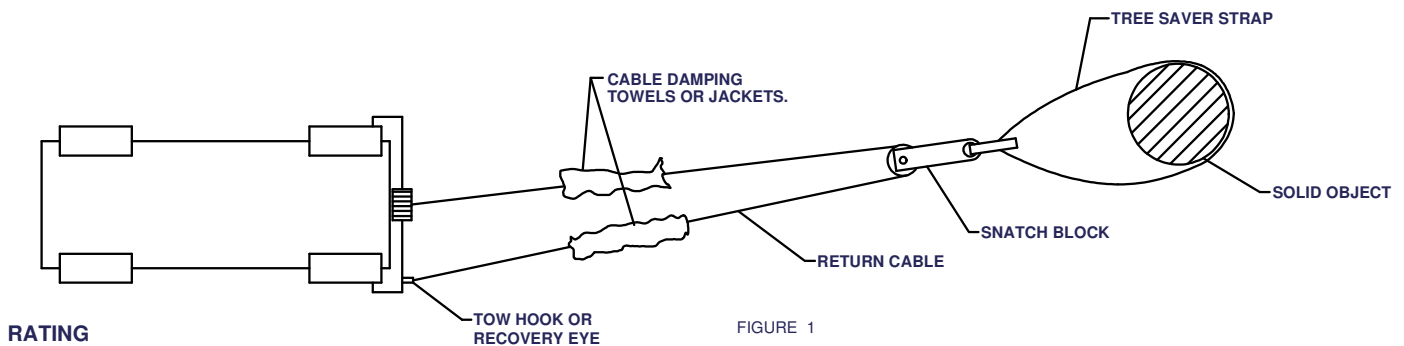
### VEHICLE RECOVERY AND WINCHING TIPS

1) Use OEM tow hooks, recovery eyes or a clevis mount for attachment of a tow strap or winch cable.

**WARNING: NEVER** use a ball and/or ball mount as an anchor point for tow strap or winch cable. Severe personal injury or death could result.

- 2) Observe winch manufacturer's recommendations, cautions and warnings.
- 3) Attach return cable to tow hook or recovery eye when using a snatch block (See figure 1).

**CAUTION:** Do not attach return cable to winch mount. This may overload winch mount and/or front mounted receiver.



### RATING

For **Maximum** line pull rating, winch cable must not exceed:

- 15 degree angle up or down from horizontal (See Figure 2).
- 45 degree angle left or right from straight ahead (See Figure 3).

**CAUTION:** Exceeding the maximum line pull rating may over load winch, winch mount, and/or front mounted receiver.

