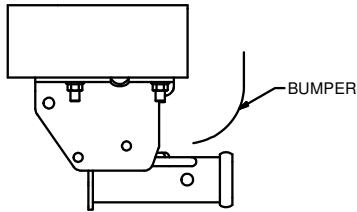


33055**1991-2007 FORD ECONOLINE VAN E-150/250/350
(INCLUDING RV CUTAWAY)**

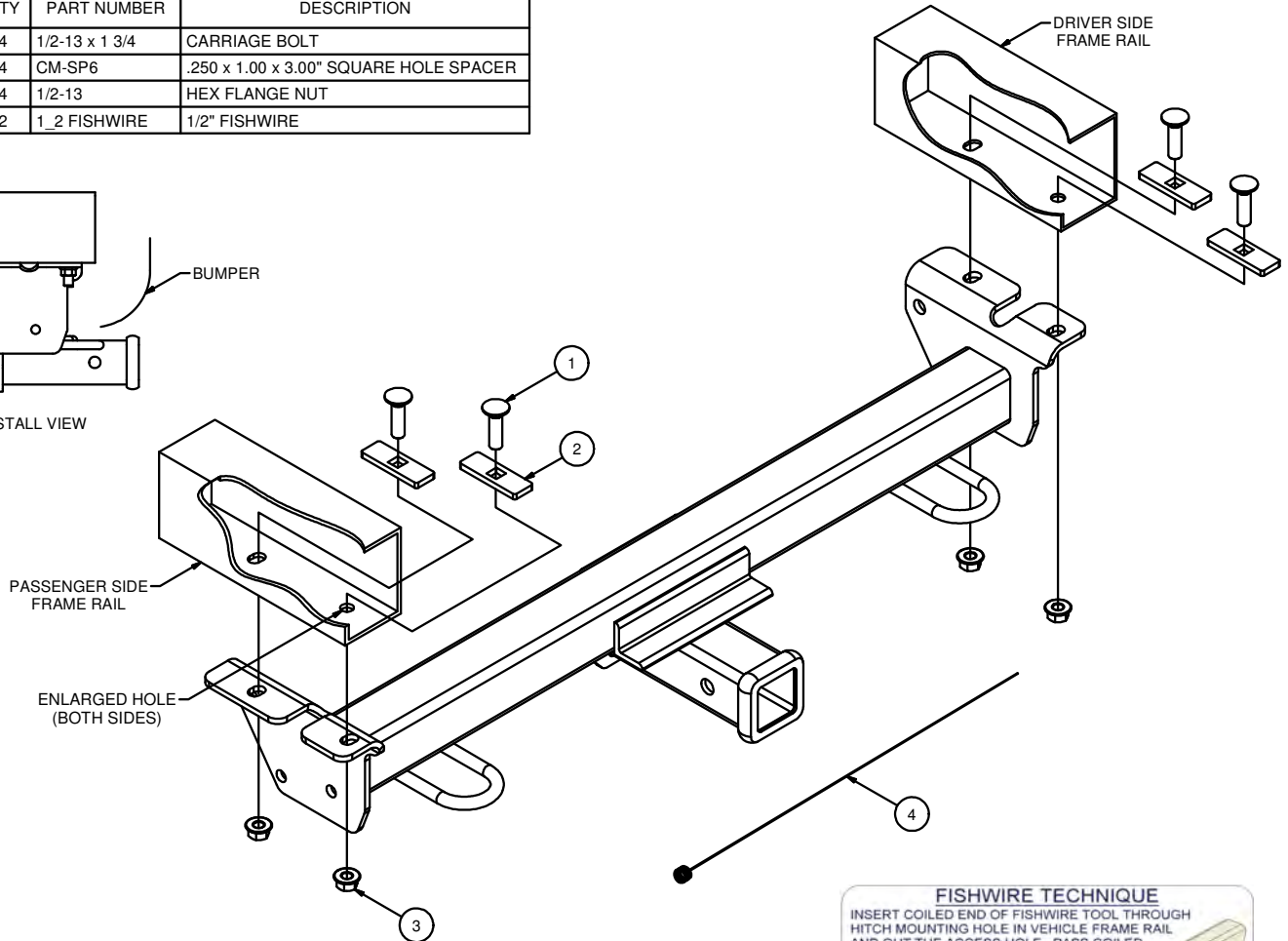
10/5/2012

GROSS LOAD CAPACITY WHEN USED AS A WEIGHT CARRYING HITCH: 5000 LBS. TRAILER WEIGHT & 500 LBS. TONGUE WEIGHT.
 GROSS LOAD CAPACITY WHEN USED AS A STRAIGHT LINE PULL: 9,000 LBS. MAX. LINE PULL.
***** DO NOT EXCEED VEHICLE MANUFACTURER'S RECOMMENDED TOWING CAPACITY. *****
 HAVING INSTALLATION QUESTIONS? CALL TECHNICAL SUPPORT AT 1-800-798-0813

Parts List			
ITEM	QTY	PART NUMBER	DESCRIPTION
1	4	1/2-13 x 1 3/4	CARRIAGE BOLT
2	4	CM-SP6	.250 x 1.00 x 3.00" SQUARE HOLE SPACER
3	4	1/2-13	HEX FLANGE NUT
4	2	1_2 FISHWIRE	1/2" FISHWIRE



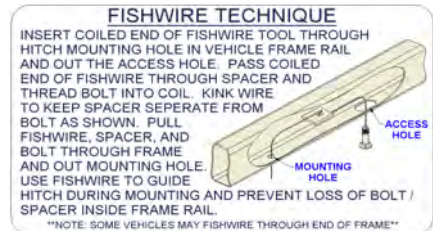
FINAL INSTALL VIEW



HITCH WEIGHT: 37 LBS.
 INSTALL TIME: 20 MINUTES
 INSTALL NOTES:

- DRILLING REQUIRED
- FISHWIRE HARDWARE

TOOLS REQUIRED
1/2" FISHWIRE
RATCHET
1/2" SOCKET
TORQUE WRENCH
DRILL
17/32" DRILL BIT

**INSTALLATION STEPS**

1. If present, remove all plastic rivets on the front valance on the vehicle. (Return to customer)
2. Enlarge the existing front hole to 17/32".
3. Fishwire a 1/2" carriage bolt and CM-SP6 spacer into each hole as shown. (See Fishwire Technique)
4. Raise the hitch into position over the 1/2" carriage bolts and secure using the (4) 1/2" flange nuts.
5. Torque all 1/2" hardware to 110 ft-lbs.

PERIODICALLY CHECK THIS RECEIVER HITCH TO ENSURE THAT ALL FASTENERS ARE TIGHT AND THAT ALL STRUCTURAL COMPONENTS ARE SOUND.

Curt Manufacturing Inc., warrants this product to be free of defects in material and/or workmanship at the time of retail purchase by the original purchaser. If the product is found to be defective, Curt Manufacturing Inc., may repair or replace the product, at their option, when the product is returned, prepaid, with proof of purchase. Alteration to, misuse of, or improper installation of this product voids the warranty. Curt Manufacturing Inc.'s liability is limited to repair or replacement of products found to be defective, and specifically excludes liability for incidental or consequential loss or damage.