

60664**04-CURRENT NISSAN TITAN
LONG AND SHORT BED**

WARNING!! BRAKE, FUEL, AND ELECTRICAL LINES MAY NEED TO BE LOOSENEED OR REPOSITIONED TO PROVIDE CLEARANCE FOR NEW HARDWARE. ALL MODELS REQUIRE MODIFICATION OR REMOVAL OF HEAT SHIELDS. ON SHORT BED MODELS, CHECK FOR ADEQUATE TURNING CLEARANCE BETWEEN THE FRONT OF ALL TRAILERS AND THE TRUCK CAB.

WARNING!! ON TWO WHEEL DRIVE TRUCKS A CLEARANCE CHECK MUST BE PERFORMED WHEN TRUCK IS LOADED AND UNLOADED TO VERIFY THE INVERTED BALL WILL NOT INTERFERE WITH THE TOP OF THE DIFFERENTIAL

INSTALLATION STEPS

BEFORE INSTALLING

An overhead lifting device, such as chain falls, engine hoist, or cable come-a-long, can be used to lift the center section of the hitch in place. Lower a loop of rope or chain through the 4" hole in the truck bed floor and attach it to the round hitch receiver tube in the center section. Use the lifting device to raise the center section until the round hitch receiver tube that protrudes from the center section fits in the 4" hole in the truck bed floor. Maintaining upward pressure may facilitate fastening the cross-member to the center section, especially if the truck bed floor has been distorted downward from heavy use. If you use an overhead-lifting device, it should be disconnected before squaring the center section across the frame, installing the sideplates and torquing fasteners.

- 1) A) Lower and remove spare tire.
 B) Remove the heat shield under the bed floor by removing the six screws with a 10 MM wrench.
 C) The fuel valve canister must be lowered during the installation to allow the handle and bolts to be installed. First remove the 3 small bolts that hold the canister bracket to the truck using a 10 MM wrench. Next, using a small screwdriver remove the vent hose from the bed cross member. Then slide the canister toward the center of the truck far enough to allow the end toward the frame to be pulled downward. Then slide the canister back toward the frame to allow the complete canister to drop down about 4-5 inches this will be enough room to complete the installation. After installation is complete, bolt the canister back to the brackets, and cable tie the vent hose to the rear cross arm.
 D) The inner fender guards toward the front of both rear fender wells will need to be removed to allow the installation of the hitch side plates. This is done by removing two screws and sliding the guard toward the tire. These guards will be re-attached after full hitch installation.
- 2) Mark the location for the hole in the truck bed. Measure from the tail gate end of the truck bed, by hooking a tape measure over the **back of the truck box** and marking the correct location. **(NOTE: DO NOT MEASURE FROM EDGE OF TAILGATE)** Next, mark the center between the wheel wells. This marks the center point for the 4" hole. This hole location is critical for the correct installation of this hitch. Measure, mark, and saw carefully. This location will put the ball 4"-6" in front of the axle.

Short Bed Installation	46 1/2"
Long Bed Installation	46 1/2"

1" BED FLOOR FLANGE IN PASSENGER SIDE WHEEL WELL

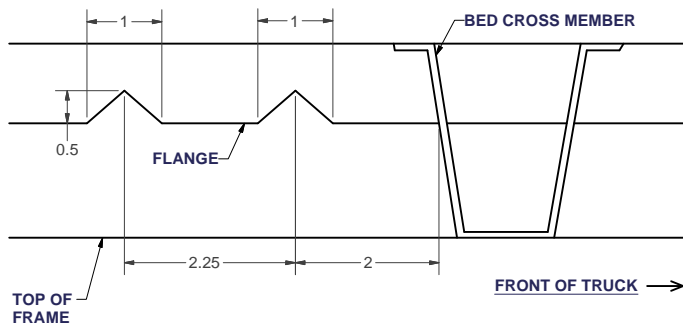


FIGURE 1

FRONT OF TRUCK

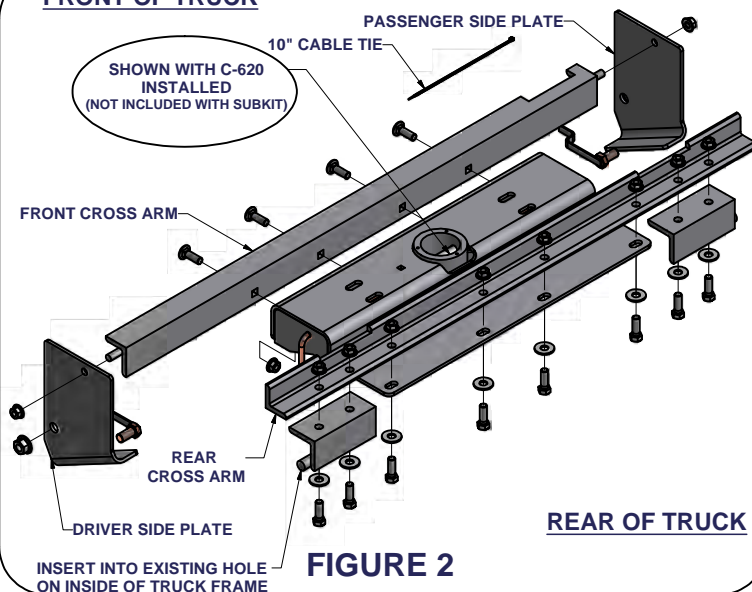


FIGURE 2

Curt Manufacturing Inc., warrants this product to be free of defects in material or workmanship at the time of retail purchase by the original purchaser. If the product is found to be defective, Curt Manufacturing Inc., may repair or replace the product, at their option, when the product is returned, prepaid, with proof of purchase. Alteration to, misuse of, or improper installation of this product voids the warrant. Curt Manufacturing Inc.'s liability is limited to repair or replacement of products found to be defective, and specifically excludes liability for incidental or consequential loss or damage.

60664

**04-CURRENT NISSAN TITAN
LONG AND SHORT BED**

NOTE:

If truck has a plastic bed liner, you may drill through both, but it is more difficult to accurately locate the midpoint between the wheel wells, and to keep the bed liner from moving while cutting the hole. Make a 4" hole at this location using a 4" hole saw, or by making a 4" circle and cutting it out with a saber saw equipped with a metal cutting blade.

Parts List			
ITEM	QTY	PART NUMBER	DESCRIPTION
1	14	HFN 1213	HEX FLANGE NUT
2	8	1/2 - 13 x 1 1/2	HEX BOLT
3	8	FW12	FW, 12, ZP

Parts List			
ITEM	QTY	PART NUMBER	DESCRIPTION
4	4	1/2-13 x 1 1/2	CARRIAGE BOLT
5	2	5/8-11	HEX FLANGE NUT
6	1	10"	CABLE TIE
7	2	60664-HB	HANDLE BOLT

Installation Steps

- 3) Before installing the rear cross member, there must be two small notches cut in the bed floor flange behind the center bed cross arm on the passenger side as shown in **Figure 1**. At 2" behind the center cross member, make the first V-shaped notch in the bed floor flange. The second notch will need to be 2 1/4" behind the first. After cutting the notches, the rear cross arm can be installed using the two notches to accept the legs of the cross arms. The rear cross arm is identified as the 2" x 2" angle with two cut-outs. Slide the angle across the top of the frame using the two notches that were cut earlier in the bed flange. Rotate the cross arm so that the notches are pointing up against the bed floor and towards the front of the truck. The holes in the cross arm should now be resting on the truck frame and facing the rear of the truck. At this time install the pin brackets. It is necessary to ream the existing holes in the frame slightly, prior to installing the pin brackets. When they are installed correctly, the pin will be in the hole on the inside of the frame and the bolt holes will face up and forward and align with the two outside holes on each end of the rear cross member. Place a 1/2" x 1 1/2" bolt with a washer in the four holes that bolt the pin brackets to the rear cross arm and **finger tight only** with 1/2" flange nuts.
- 4) Install the center section by raising it up between the frame on the passenger side of the truck and the exhaust pipe. At the same time turn it flat and slide it over the gas tank, making sure that the long flat end of the center is toward the rear of the truck. With the center section in the center of the truck slide it toward the rear placing the flat part of the center section that has 4 slotted holes in it between the bed cross member and the round frame cross member. Slide it back until the slotted holes align with the holes in the rear cross arm. Install a 1/2" x 1 1/2" bolt with 1/2" flat washer through the rear cross arm and the slotted holes in the center section and **finger tight only** with 1/2" flange nuts.
- 5) Install the front cross arm from the driver's side in front of the rear tire. Slide the cross arm over the top of the frame with the cut out facing toward the front of the truck on the passenger side. When the cross arm reaches the passenger side of the frame, the cut out will fit around the shock bracket. The cross arm leg with the holes will be standing vertically just behind the shock bracket and will be sitting on top of the frame. With the cross member in place, pull it tight against the front of the center section. Place a bolt with a flat washer through the center hole of the cross member and the center hole of the center section while lifting upward and pushing the socket top through the 4" hole in the floor. Insert all other bolts with flat washers through the center and cross arm and **finger tight only** with 1/2" flange nuts.
- 6) Before installing the passenger side plate, remove the wiring harness by pulling the two push-in connectors out of the frame directly under the shock bracket on the outside of the frame. Lift the harness up and over the front cross member. Now, hang the side plates from the 1/2" stud protruding from the front cross arm and **finger tight** with 1/2" flange nuts.
- 7) With the sideplates installed on both sides, torque all 1/2" fasteners to 110 ft.-lbs, and 5/8" fasteners to 210 ft.-lbs in the following order:
First: Torque the 5/8" nuts on each side plate.
Second: Torque the 1/2" nuts on each side plate
Third: Torque the pin brackets to the rear cross arm while holding them toward the inside of the frame. There may be a small space between the brackets and frame on some trucks.
Fourth: Torque the center section to the cross arms.

(REFER TO GOOSENECK HITCH INSTRUCTIONS FOR INSTALLATION AND OPERATING PROCEDURES)

Maintenance (Required every 30 days or prior to use)

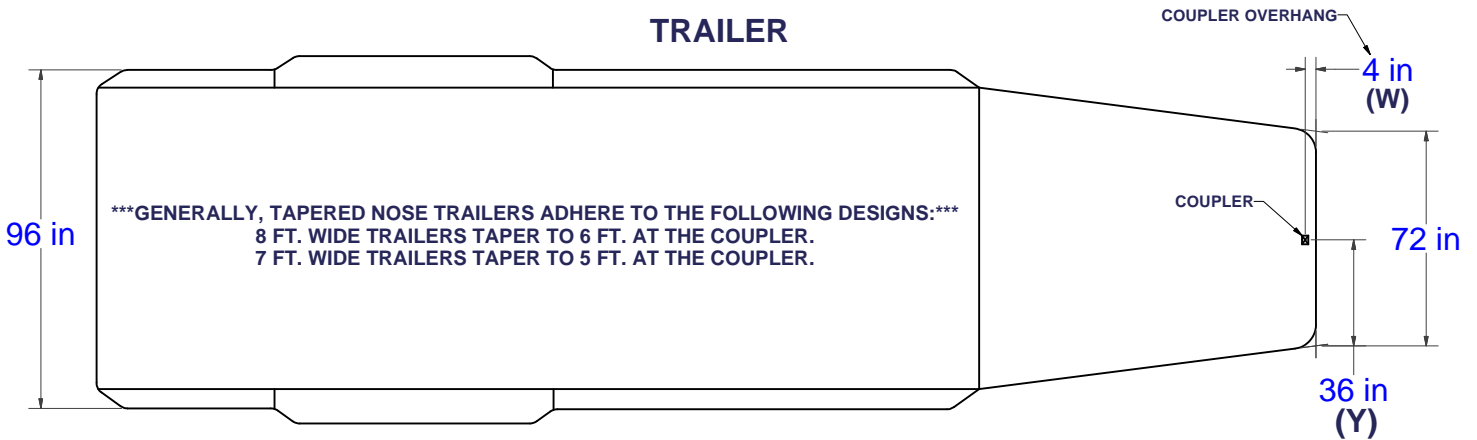
1. Keep hitch ball lubricated regularly. Use silicone spray or equivalent to prevent wear and rust.
2. Keep hitch assembly free of dirt and other foreign debris.
3. Check for proper torque on all nuts and bolts before each use. Also check for excessive wear.
4. Check for ball wear before each use. **(Note: Do not tow trailer with worn or damaged parts.)**

Curt Manufacturing Inc., warrants this product to be free of defects in material or workmanship at the time of retail purchase by the original purchaser. If the product is found to be defective, Curt Manufacturing Inc., may repair or replace the product, at their option, when the product is returned, prepaid, with proof of purchase. Alteration to, misuse of, or improper installation of this product voids the warrant. Curt Manufacturing Inc.'s liability is limited to repair or replacement of products found to be defective, and specifically excludes liability for incidental or consequential loss or damage.

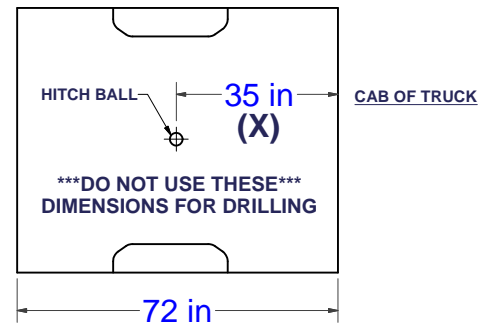
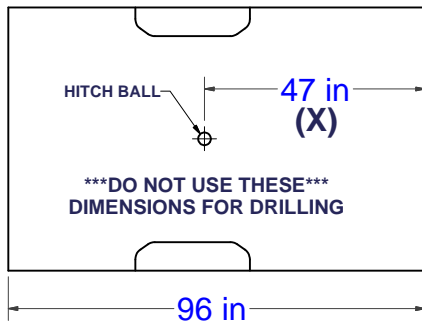
CAB TO TRAILER CLEARANCE

REMOVAL OF REAR WINDOW ACCESSORIES MAY BE REQUIRED.

TRAILER



LONG & SHORT TRUCK BEDS



CLEARANCE CALCULATION

$$\begin{matrix} \text{(CAB TO BALL CENTER)} & - & 1/2 \text{ (TRAILER WIDTH)} & = & \text{(MINIMUM CLEARANCE)} \\ \text{(X)} & - & \text{(Y)} & = & \text{(Z)} \end{matrix}$$

IF THERE IS AN OVERHANG FROM THE COUPLER THEN THE EQUATION IS:

$$\begin{matrix} \text{[(X) - (W)]} & - & \text{(Y)} & = & \text{(Z)} \end{matrix}$$

IF (Z) IS POSITIVE, TRAILER **WILL NOT** INTERFERE WITH CAB OF TRUCK.
 IF (Z) IS NEGATIVE, TRAILER **WILL** INTERFERE WITH CAB OF TRUCK!!!

EXAMPLE:

STANDARD TRAILER

$$X - Y = Z$$

$$35 - 36 = -1$$

(TRAILER **WILL INTERFERE** WITH CAB)

TRAILER WITH OVERHANG

$$\text{[(X) - (W)]} - Y = Z$$

$$[35 - 4] - 36 = -5$$

(TRAILER **WILL INTERFERE** WITH CAB)

YOUR CALCULATION:

(CAB TO BALL CENTER) _____

(COUPLER OVERHANG) — _____

1/2 (TRAILER WIDTH) — _____

(MINIMUM CLEARANCE) = _____