

Tough Guy Installation Instructions

CO-85 Tough Guy II & CO-80 Tough Guy Jr. Cab Organizers

Congratulations on your purchase of a quality Tough Guy product. Tough Guy is recognized as having the highest quality running boards and accessories on the market today. We have earned this reputation by offering our customers a product they can be proud to place on their vehicles. Tough Guy meets all the criteria of manufacturing a custom-fit product which guarantees it to be the easiest product to install.

Tools Required

A Utility Knife

A Pair of Locking Pliers

PARTS LIST:

	QTY
Cab Organizer	1
Locking Compartment Door	1
Long Top Shelf	1
Long Center Shelf	1
Short Shelf	1
Bungee Cord	1
Lock & Threaded Ring	1
Keys	2
Double Backed Tape	2

INSTRUCTIONS: Please take time to read all instructions carefully before beginning installation.

FIGURE A

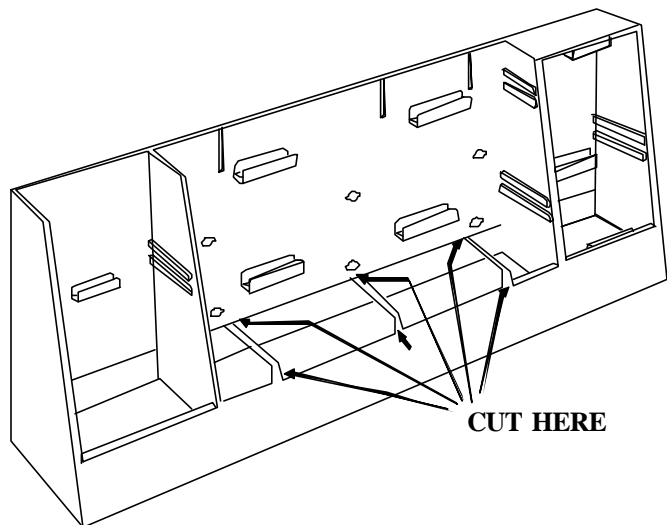
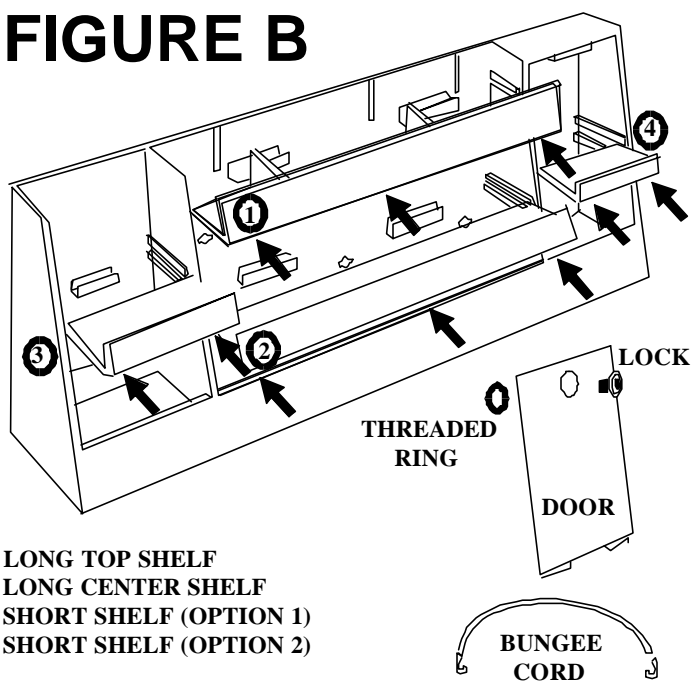


FIGURE B



- 1) LONG TOP SHELF
- 2) LONG CENTER SHELF
- 3) SHORT SHELF (OPTION 1)
- 4) SHORT SHELF (OPTION 2)

STEP 1

There are three dividers in the center compartment of your cab organizer. These dividers may be cut out with a utility knife. Remove as many of these dividers as desired. (Refer to figure A.)

STEP 2

Position the shelves into the appropriate locations on the cab organizer slide the shelves back until they are locked in position by the tabs on the back of the cab organizer. The short shelf may be used in either the open or locking compartments. Choose the option that you like best. (Refer to figure B.)

STEP 3

Mount the lock into the hole on the cab organizer door and secure on the backside with the threaded ring. Tighten firmly into position. Position the door over the compartment and lock in place. (Refer to figure B.)

STEP 4

Slide and tilt the seat of the vehicle to the extreme forward position. **NOTE:** If the vehicle already comes equipped with some type of behind the seat storage unit, it will need to be removed before the cab organizer is installed. If there is tire changing equipment stored behind the seat it should be removed and placed in the cab organizer after installation.

STEP 5

Place the cab organizer into position behind the seat of the vehicle and return the seat to the normal driving position. The bungee cord may be used to secure objects in place in the cab organizer. **HELPFUL HINT:** If there is an unusual amount of movement or rattling of your cab organizer, place a strip of double backed tape onto the upper corners on the back of the cab organizer to help secure it to the back of the cab.

***If you should incur any problems with the installation of this product, please feel free to call us at 1-800-779-8222. So that we may better serve you when you call, please have the W/O#, SEQUENCE#, and the DATE from the labels on the outside of the box.*