



**Before returning this product  
to the store of purchase**

**Contact Dee Zee if you experience the following problems:**

- Missing Parts
- Installation Problems/Questions
- Warranty Questions

**1.800.779.2102**

Hours of operation: 8am - 5pm CST, Mon-Friday

Review complete warranty policy and register your product at:

**[www.deezee.com](http://www.deezee.com)**



## Dee Zee Running Board Installation Instructions

*Congratulations on your purchase of a quality Dee Zee product. Dee Zee is recognized as having the highest quality running boards and accessories on the market today. We have earned this reputation by offering our customers a product they can be proud to place on their vehicles. Dee Zee meets all the criteria of manufacturing a custom-fit product which guarantees it to be the easiest product to install.*

**Note:** Please take time to read all of the instructions before beginning this installation.

**Also note:** Your vehicle may have features that will interfere with the installation of this product. If this situation happens, please call our help line (1-800-779-2102) and we will assist you.

**Cleaning instructions:** To maintain the bright finish of your Dee Zee running board, clean with a mild detergent and use a high-grade automotive type wax. **DO NOT USE ABRASIVE CLEANERS ON THIS PRODUCT!**

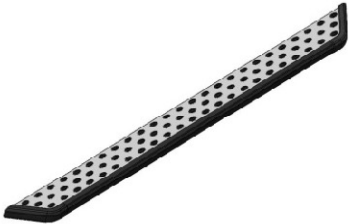


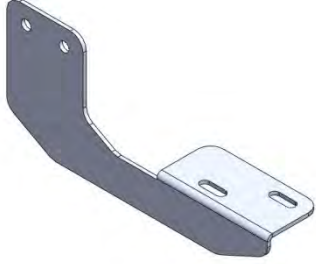


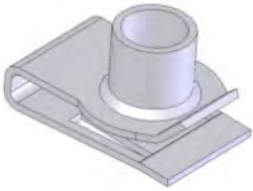

If you should happen to have any questions with this product or you have an installation question, please feel free to call us at:

**1-800-779-8222**

If you would like to find out more information on Dee Zee's products, please feel free to visit our website at:

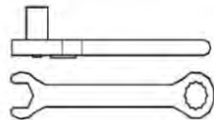
**WWW.DEEZEE.COM**

## NXt Running Board FORD SUPER DUTY Pickup

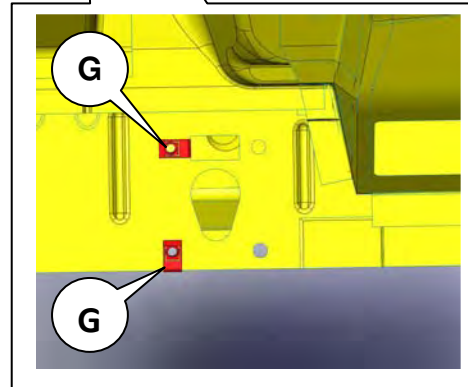
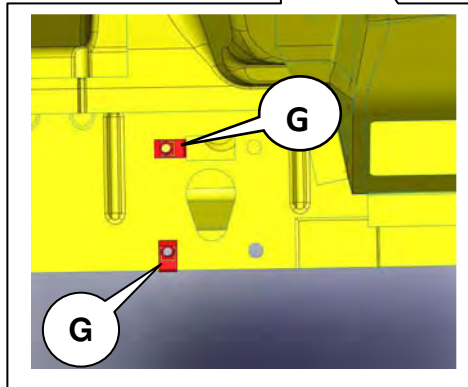
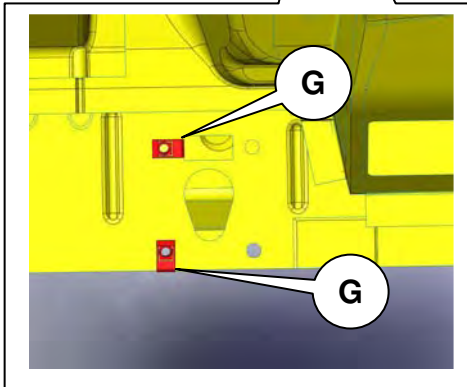
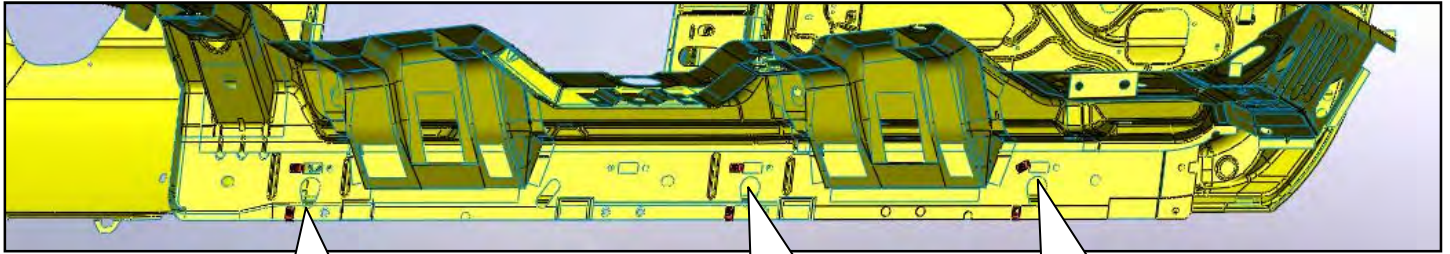
|   |   |  |
|---|---|--|
| <p><b>A</b> NXt Running Board</p>  <p>Various X2</p>       | <p><b>B</b> Rocker Panel Mounting Bracket</p>  <p>B 1182P X6</p> | <p><b>C</b> Driver Side Bracket</p>  <p>B 1830LP X3</p> |
| <p><b>D</b> Passenger Side Bracket</p>  <p>B 1830RP X3</p> | <p><b>E</b> 8mm X 25mm Flange Head Bolt</p>  <p>PN 525 X12</p>   | <p><b>F</b> 8mm Hex Flange Nut</p>  <p>PN 526 X24</p>   |
| <p><b>G</b> 8mm U-nut</p>  <p>PN 909 X12</p>             | <p><b>H</b> 8mm X 20mm Flange Head Bolt</p>  <p>PN 527 X12</p> |  |

**Tools Required**

Ratchet / Wrench  
13mm

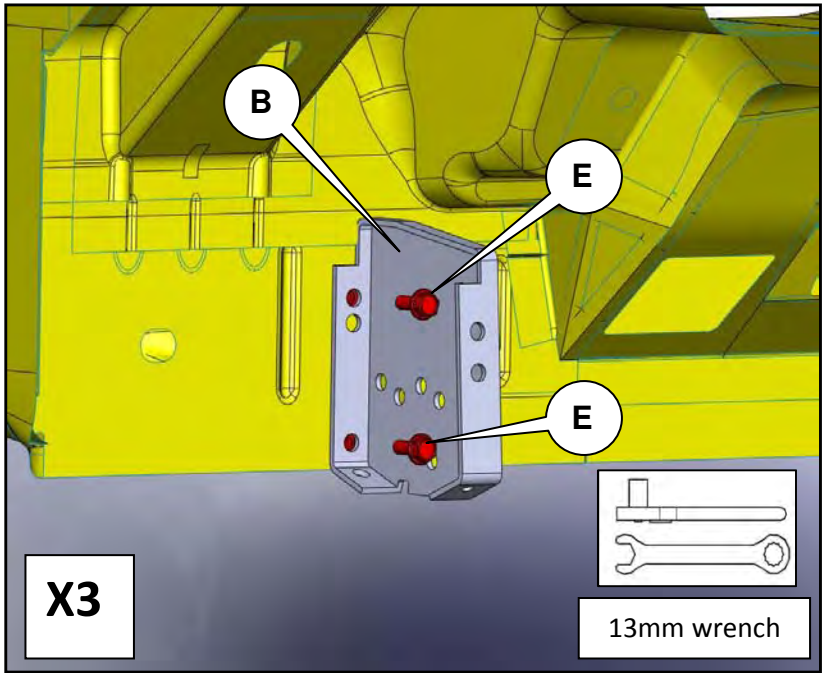


1

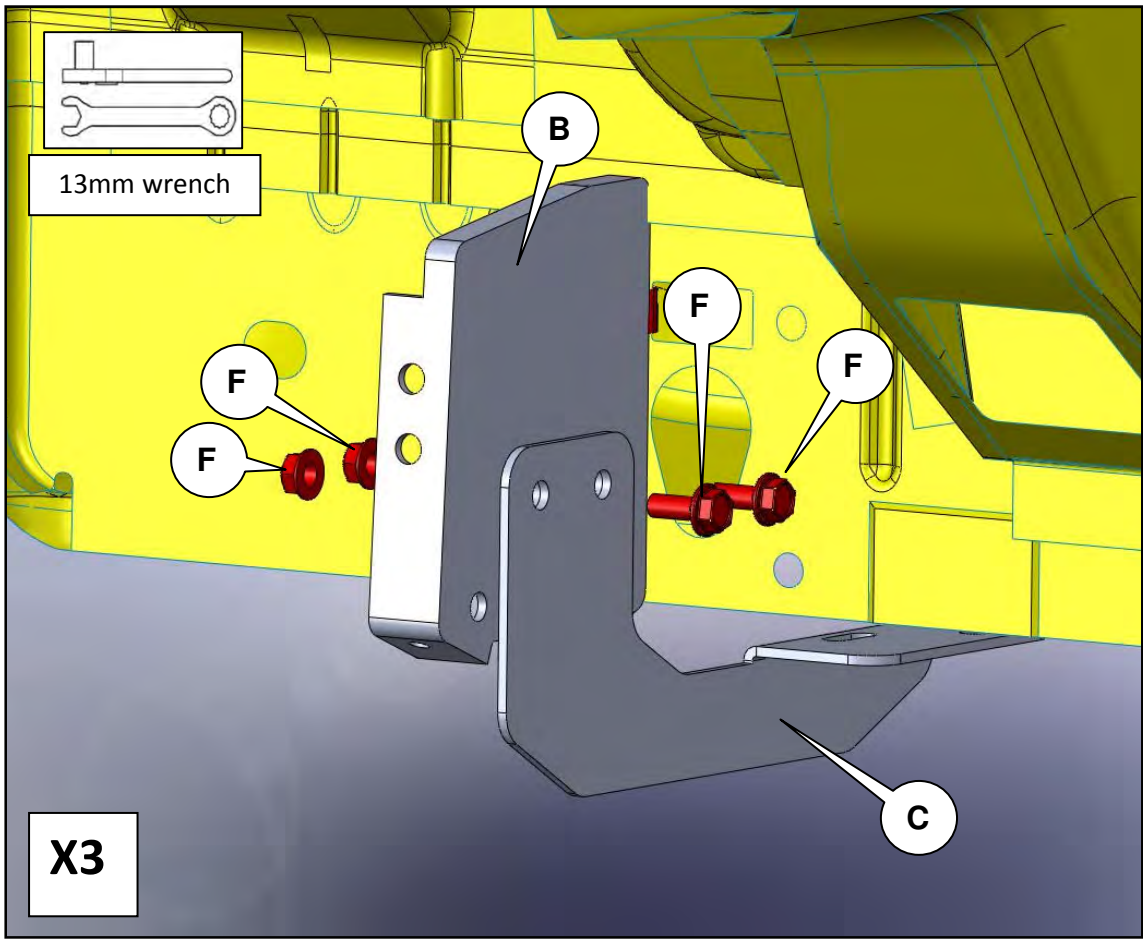


**NOTE: FOR STANDARD CAB APPLICATIONS, MIDDLE BRACKET LOCATION IS NOT AVAILABLE. PROCEED AS DIRECTED USING FRONT AND REAR MOUNTING LOCATIONS. EXTRA BRACKETS AND HARDWARE MAY BE DISCARDED.**

2

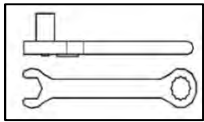
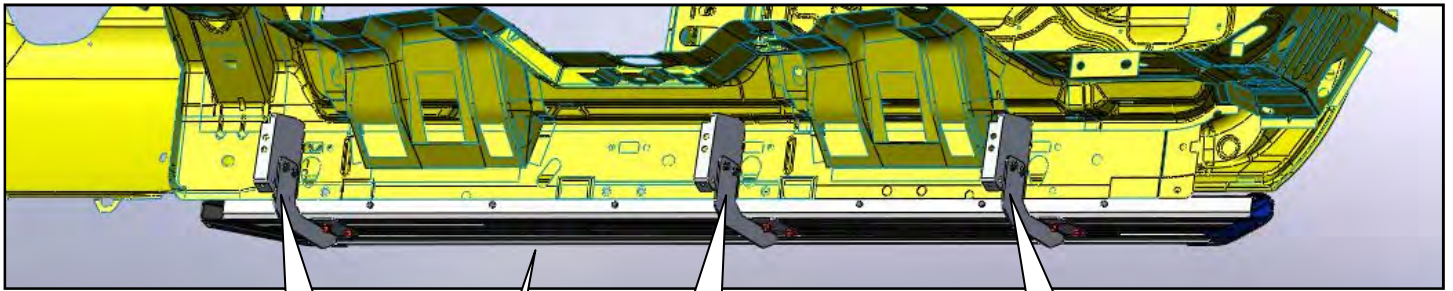


3



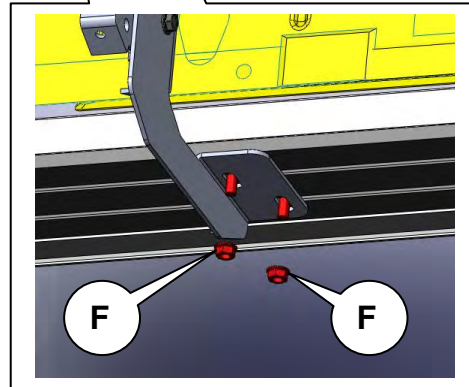
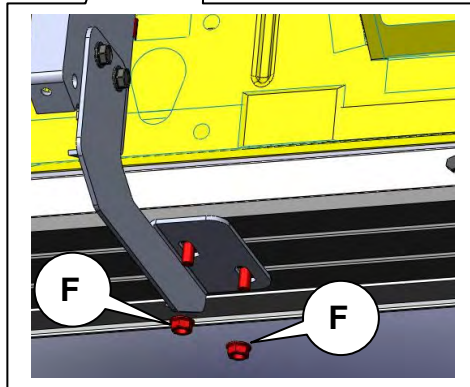
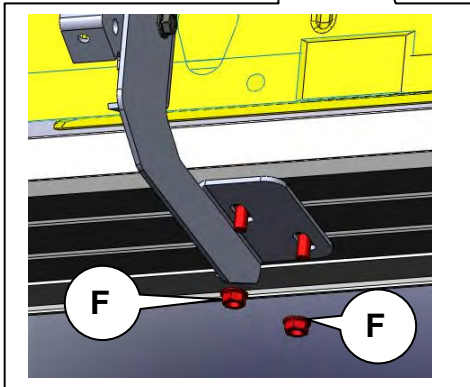


4



13mm wrench

A



5

REPEAT STEPS 1-4 FOR PASSENGER SIDE USING BRACKET D.