



**Before returning this product
to the store of purchase**

Contact Dee Zee if you experience the following problems:

- Missing Parts
- Installation Problems/Questions
- Warranty Questions

1.800.779.2102

Hours of operation: 8am - 5pm CST, Mon-Friday

Review complete warranty policy and register your product at:

www.deezee.com



Dee Zee Nerfstep Installation Instructions

Congratulations on your purchase of a quality Dee Zee product. Dee Zee is recognized as having the highest quality running boards and accessories on the market today. We have earned this reputation by offering our customers a product they can be proud to place on their vehicles. Dee Zee meets all the criteria of manufacturing a custom-fit product which guarantees it to be the easiest product to install.

Note: Please take time to read all of the instructions before beginning this installation.

Cleaning instructions: To maintain the bright finish of your Dee Zee nerfsteps, clean with a mild detergent and use a high grade automotive type wax. **DO NOT USE ABRASIVE CLEANERS ON THIS PRODUCT!**


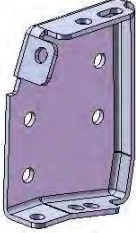




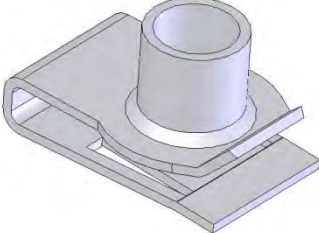


If you should happen to have any questions with this product or you have an installation question, please feel free to call us at:

1-800-779-8222

If you would like to find out more information on Dee Zee's products, please feel free to visit our website at:

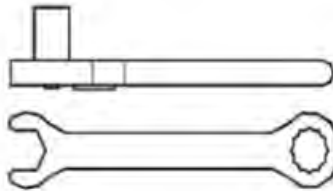
WWW.DEEZEE.COM

**DZ 17007 / DZ 17507 / DZ 17007C
(2004-Current) Ford F150 Supercab Pickup**

<p>A Nerfstep</p>  <p>Various 1LH / 1RH</p>	<p>B Rocker Panel Mounting Bracket</p>  <p>B 1181P X6</p>	<p>C Driver Side Mounting Bracket</p>  <p>B 1364LP X3</p>
<p>D Passenger Side Mounting Bracket</p>  <p>B 1364RP X3</p>	<p>E 8mm X 25mm Flange Head Bolt</p>  <p>PN 525 X30</p>	<p>F 8mm Hex Flange Nut</p>  <p>PN 526 X18</p>
<p>G 8mm U-Clip</p>  <p>PN 431 X12</p>	<p>H 6mm Hex Flange Bolt</p>  <p>PN 743 X12</p>	<p>I 6mm Washer</p>  <p>PN 569 X12</p>

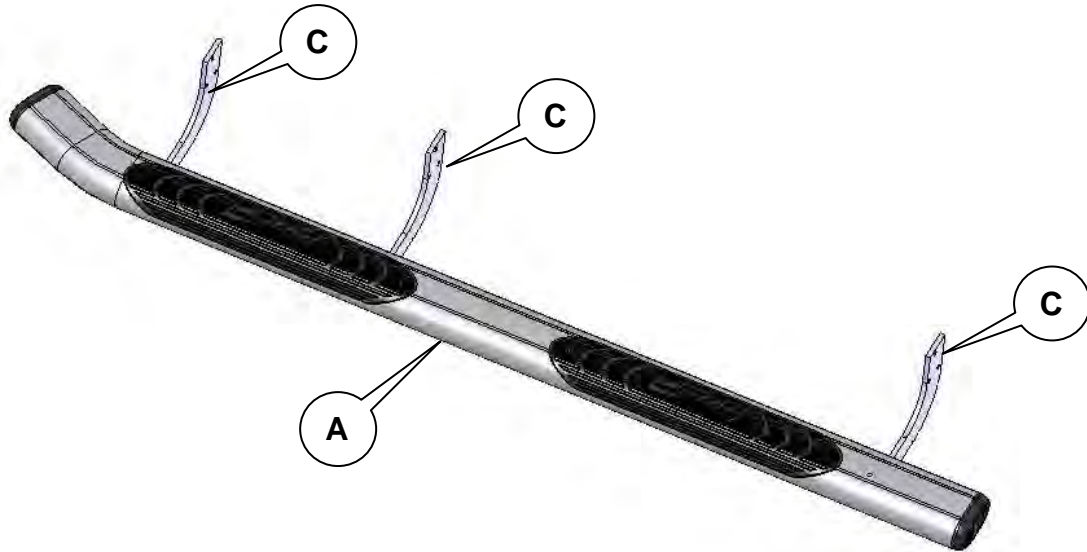
Tools Required

Ratchet / Wrench
13mm / 10mm



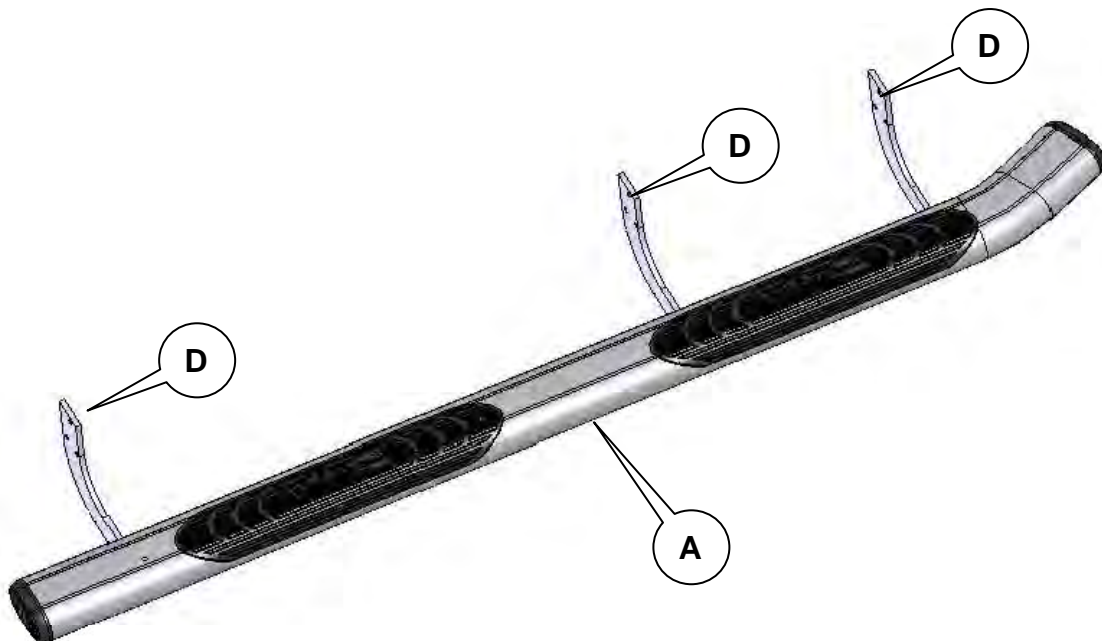
1 Driver Side Nerfstep:

Place the front Driver side brackets (C) in all three locations onto the driver side nerfstep (A) as shown and secure into place using the 6mm hex flange bolt (H) and 6mm washer (I). Leave loose for later adjustment. Note: The cradle part of the mounting brackets will face towards the rear of the nerfstep.



2 Passenger Side Nerfstep

Place the front Passenger side brackets (D) in all three locations onto the driver side nerfstep (A) as shown and secure into place using the 6mm hex flange bolt (H) and 6mm washer (I). Leave loose for later adjustment. Note: The cradle part of the mounting brackets will face towards the rear of the nerfstep.



3

Locate the existing hole locations shown below. There will be three sets of hole locations (Front, Middle, Rear). Place an 8mm U-clip (G) into the rear hole location as shown below.



Front Location



Middle Location



Rear Location

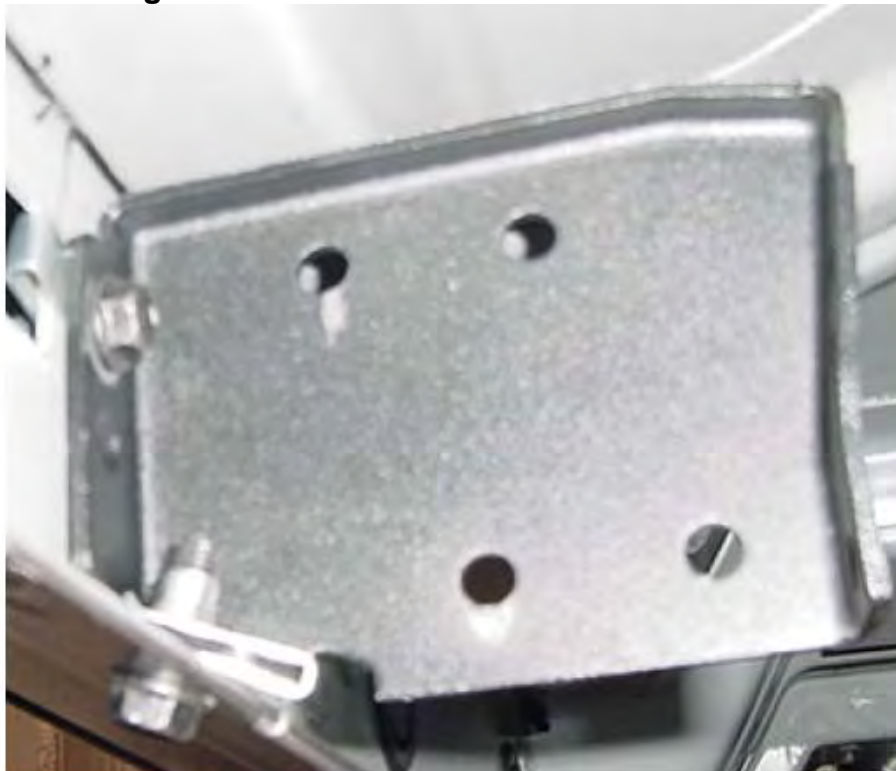
4

Place an 8mm U-clip (G) onto the rocker panel bracket (B) as shown below.



5

Place the rocker panel bracket up to the 8mm U-clips installed into the rocker panel and secure into place using the 8mm X 25mm hex flange bolts (E). Secure the bottom of the rocker panel bracket to the bottom of the rocker panel using 8mm x 25mm hex flange bolts (E). Tighten into place using a 13mm wrench / or socket.



6

Place the nerfstep assembly up to the rocker panel brackets and secure into place using 8mm x 25mm hex flange bolts (E) and 8mm hex flange nuts (F). Note: the mounting brackets on the nerfstep will fit to the inside of the rocker panel bracket as shown below. Make any final adjustments to the alignment of the nerfstep on the vehicle and then tighten all of the fasteners until snug.

