



**Before returning this product  
to the store of purchase**

**Contact Dee Zee if you experience the following problems:**

- Missing Parts
- Installation Problems/Questions
- Warranty Questions

**1.800.779.2102**

Hours of operation: 8am - 5pm CST, Mon-Friday

Review complete warranty policy and register your product at:

**[www.deezee.com](http://www.deezee.com)**



## Dee Zee Nerfstep Installation Instructions

*Congratulations on your purchase of a quality Dee Zee product. Dee Zee is recognized as having the highest quality running boards and accessories on the market today. We have earned this reputation by offering our customers a product they can be proud to place on their vehicles. Dee Zee meets all the criteria of manufacturing a custom-fit product which guarantees it to be the easiest product to install.*

**Note:** Please take time to read all of the instructions before beginning this installation.

**Cleaning instructions:** To maintain the bright finish of your Dee Zee nerfsteps, clean with a mild detergent and use a high grade automotive type wax. **DO NOT USE ABRASIVE CLEANERS ON THIS PRODUCT!**

If you should happen to have any questions with this product or you have an installation question, please feel free to call us at:








**1-800-779-8222**

If you would like to find out more information on Dee Zee's products, please feel free to visit our website at:

**WWW.DEEZEE.COM**

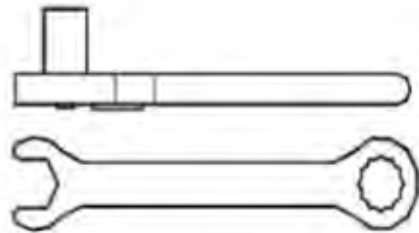
**DZ 17030 / DZ 17031 / DZ 17032 / DZ 17530 / DZ 17531 / DZ 17532 / DZ 17030C / DZ 17032C**

**(2009-Current) Dodge Ram All cab styles excluding Regular Cab**

<p><b>A</b> Nerfstep</p>  <p>Various 1LH / 1RH</p>	<p><b>B</b> Mounting Bracket</p>  <p>B 1708P X6</p>	<p><b>C</b> Install tool</p>  <p>PN 685 X2</p>
<p><b>D</b> M8 nut insert</p>  <p>PN 686 X12</p>	<p><b>E</b> 8mm X 25mm Flange Head Bolt</p>  <p>PN 525-CHY X12</p>	<p><b>F</b> 6mm Hex Flange Bolt</p>  <p>PN 743 X12</p>
<p><b>G</b></p>  <p>FGT 01 0.2EA</p>		

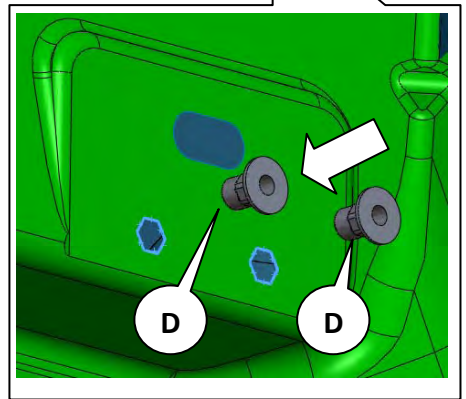
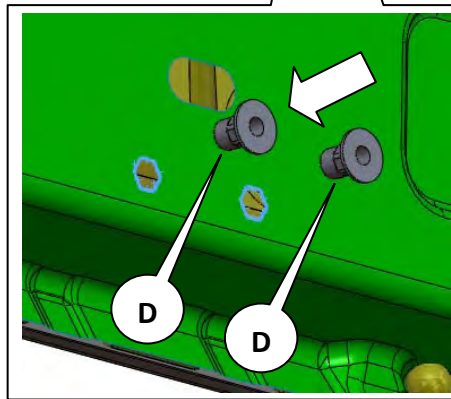
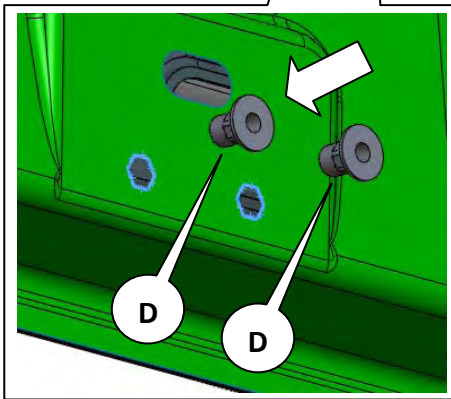
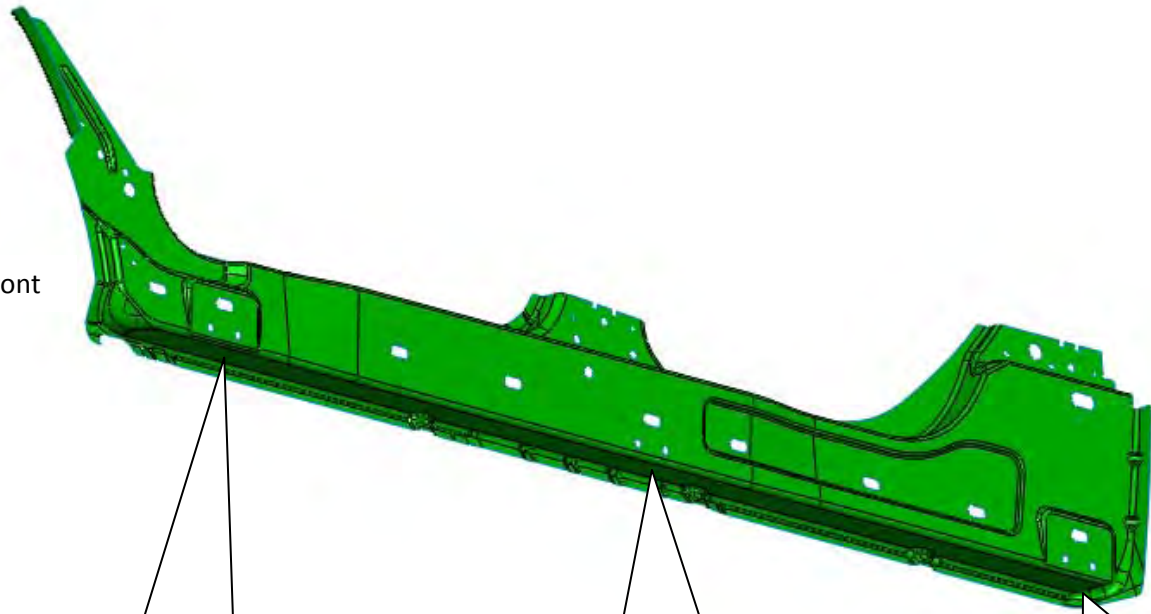
**Tools Required**

Ratchet / Wrench  
15mm / 13mm / 10mm

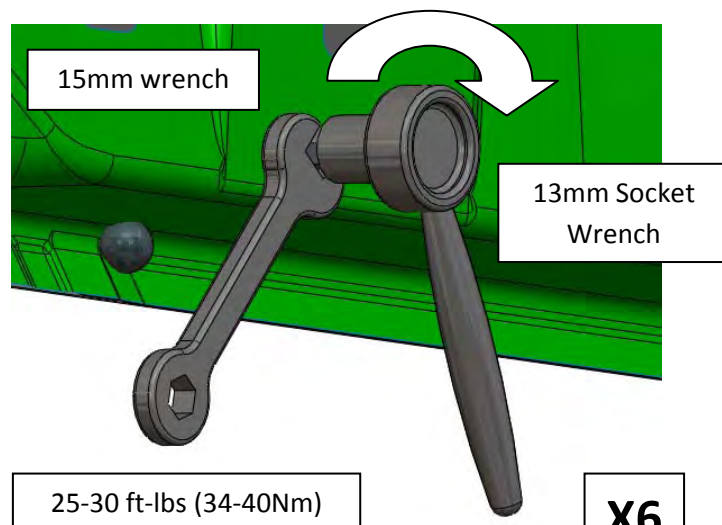
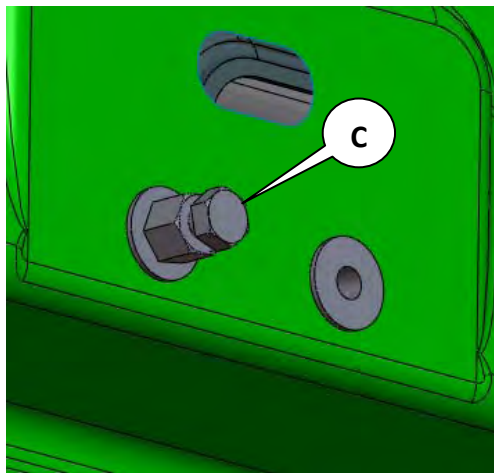


1

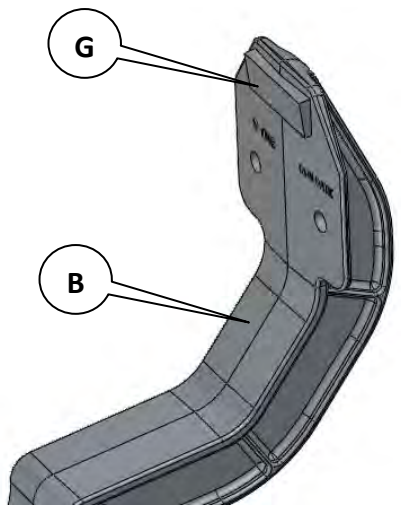
Front



2

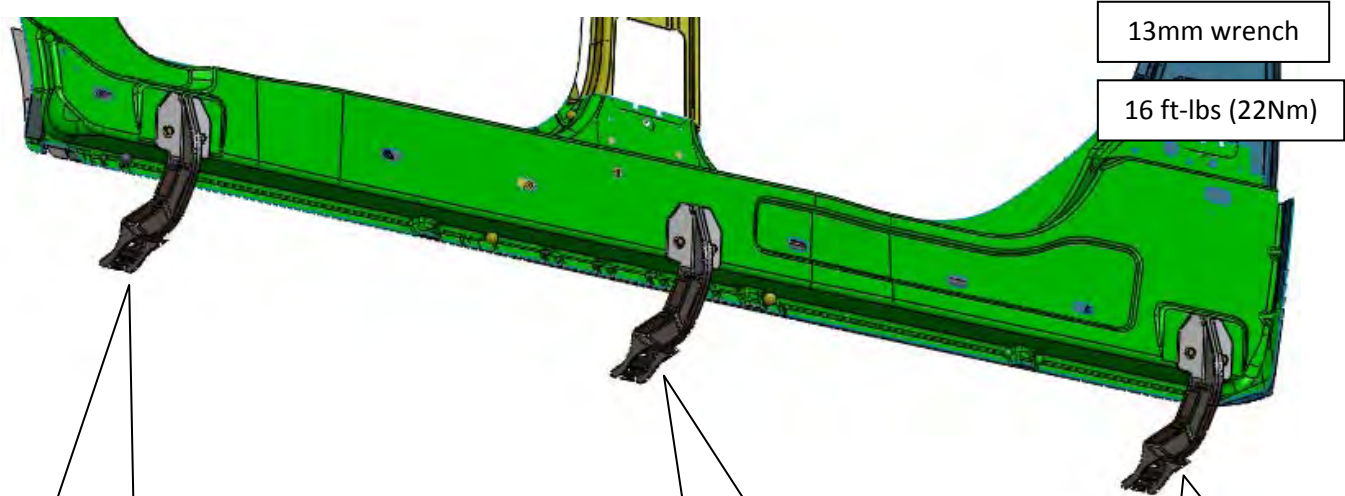


3

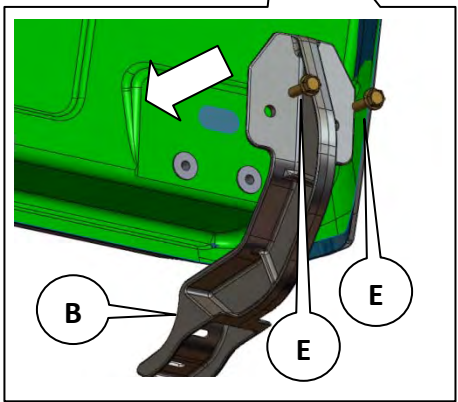
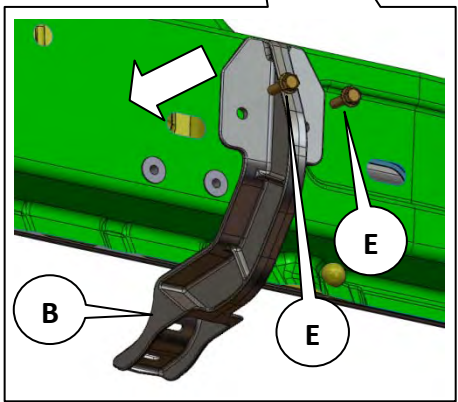
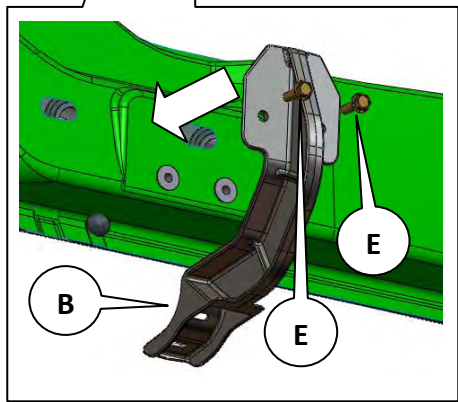


X6

4

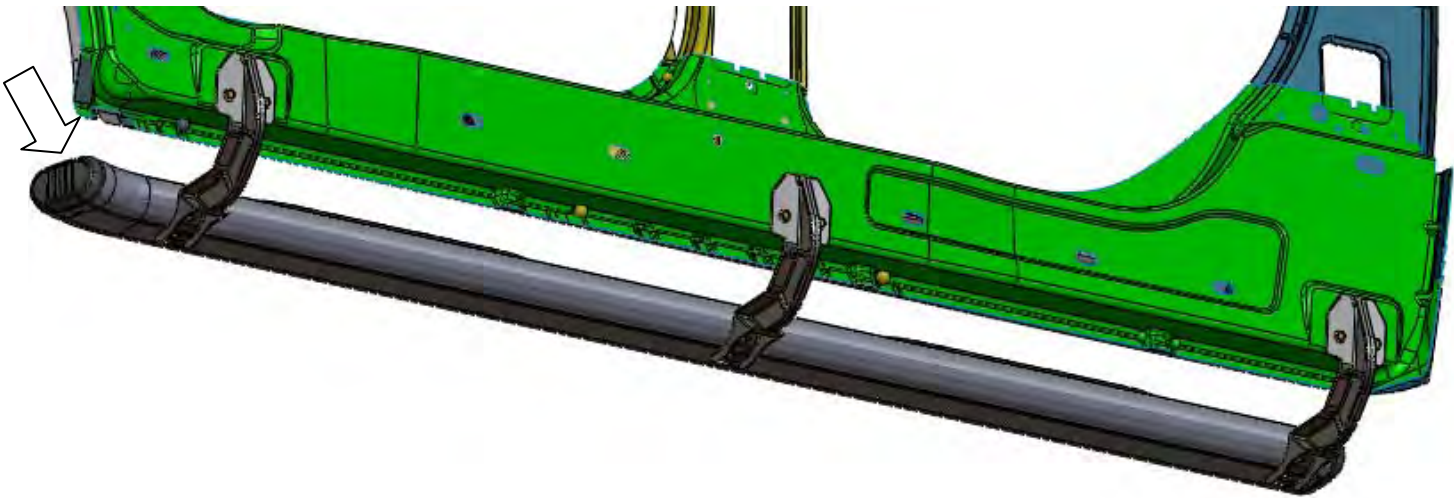


13mm wrench  
16 ft-lbs (22Nm)





5



6

