



**Before returning this product
to the store of purchase**

Contact Dee Zee if you experience the following problems:

- Missing Parts
- Installation Problems/Questions
- Warranty Questions

1.800.779.2102

Hours of operation: 8am - 5pm CST, Mon-Friday

Review complete warranty policy and register your product at:

www.deezee.com/warranty.php



Dee Zee Molded Mudflap Installation Instructions

Congratulations on your purchase of a quality Dee Zee product. Dee Zee is recognized as having the highest quality running boards and accessories on the market today. We have earned this reputation by offering our customers a product they can be proud to place on their vehicles. Dee Zee meets all the criteria of manufacturing a custom-fit product which guarantees it to be the easiest product to install.

Please take time to read all of the instructions before beginning this installation.

If you should happen to have any questions with this product or you have an installation question, please feel free to call us at:

1-800-779-8222


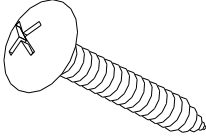

If you would like to find out more information on Dee Zee's products please feel free to visit our website at:

WWW.DEEZEE.COM

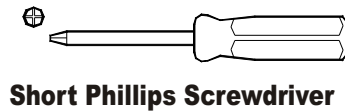
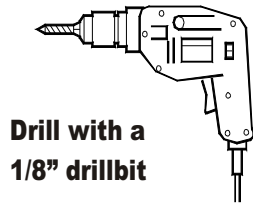
Dee Zee Mudflap Installation Instruction

DZ 17941

(1999 - Current) Chevy P/U (Rear)

A Rubber Mudflap  X1 Set	B #8 x 3/4" Round Washer Screw  PN 704 X6	C 1/4" Flat Washer  PN 72B X6	D 3M Protection Film (10") (Cut in half) X1
--	---	---	--

Tools Required:

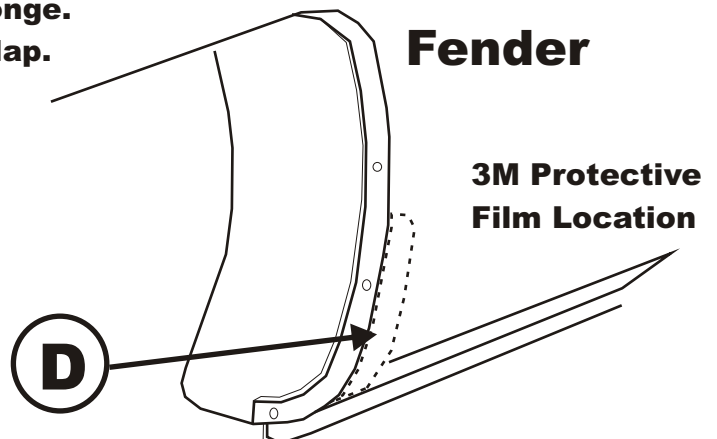


1

3M Protective Film Installation:

Dee Zee mudflaps are designed to fit snugly into the wheel well. To protect your vehicle, Dee Zee has included a 3M protective film.

- 1) Hold the mudflap up to wheel well to determine 3M protective film placement.
- 2) Thoroughly clean the area where the film is to be installed using 3M brand adhesive cleaner or other petroleum distillate based cleaner.
- 3) Cut the film to the proper shape for your application.
- 4) Mix a solution of water and dishwasher detergent into a spray bottle.
- 5) Remove film from the protective liner and spray with the water solution.
- 6) Apply the film to the fender, adhesive side down and spray total area with water solution.
- 7) Remove any air bubbles in film using a wet sponge.
- 8) Let film dry completely before installing mud flap.



2

Mudflap Installation:

- 1) Place the mudflap up to the wheel well and use the holes in the mudflap as a guide to center punch and mark the mounting holes on the fender well. (Note: There are no holes in the lower part of the attachment flange of the Mudflap. This will have to be drilled.)**
- 2) Using a 1/8" Drill bit and drill, drill a hole in the three locations**
- 3) Now secure the mudflap to the wheel well using the #8 x 3/4" phillips head screws (B) and a 1/4" Flat Washer (C). Tighten into place using a short phillips head screwdriver. (Note: The screws have a wax coating that when installed, will seal the holes in the vehicle.)**



Align Mudflap on the truck



Drill hole in Mudflap and wheel well. (Note: there is no existing hole in the Mudflap in this location.)

Use holes in Mudflap as a guide for drilling holes.