



**Before returning this product
to the store of purchase**

Contact Dee Zee if you experience the following problems:

- Missing Parts
- Installation Problems/Questions
- Warranty Questions

1.800.779.2102

Hours of operation: 8am - 5pm CST, Mon-Friday

Review complete warranty policy and register your product at:

www.deezee.com



Dee Zee Running Board Installation Instructions

Congratulations on your purchase of a quality Dee Zee product. Dee Zee is recognized as having the highest quality running boards and accessories on the market today. We have earned this reputation by offering our customers a product they can be proud to place on their vehicles. Dee Zee meets all the criteria of manufacturing a custom-fit product which guarantees it to be the easiest product to install.

Note: Please take time to read all of the instructions before beginning this installation.

Cleaning instructions: To maintain the bright finish of your Dee Zee nerfsteps, clean with a mild detergent and use a high grade automotive type wax. **DO NOT USE ABRASIVE CLEANERS ON THIS PRODUCT!**

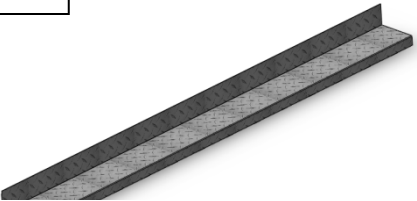

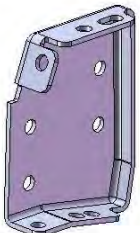



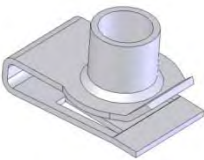



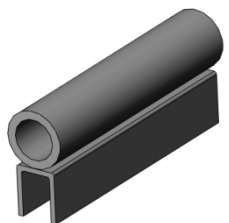

If you should happen to have any questions with this product or you have an installation question, please feel free to call us at:

1-800-779-8222

If you would like to find out more information on Dee Zee's products, please feel free to visit our website at:

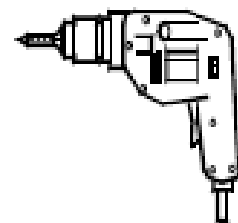
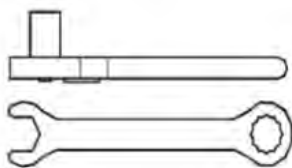
WWW.DEEZEE.COM

DZ 2032 (2009) Ford F150 Regular cab Pickup

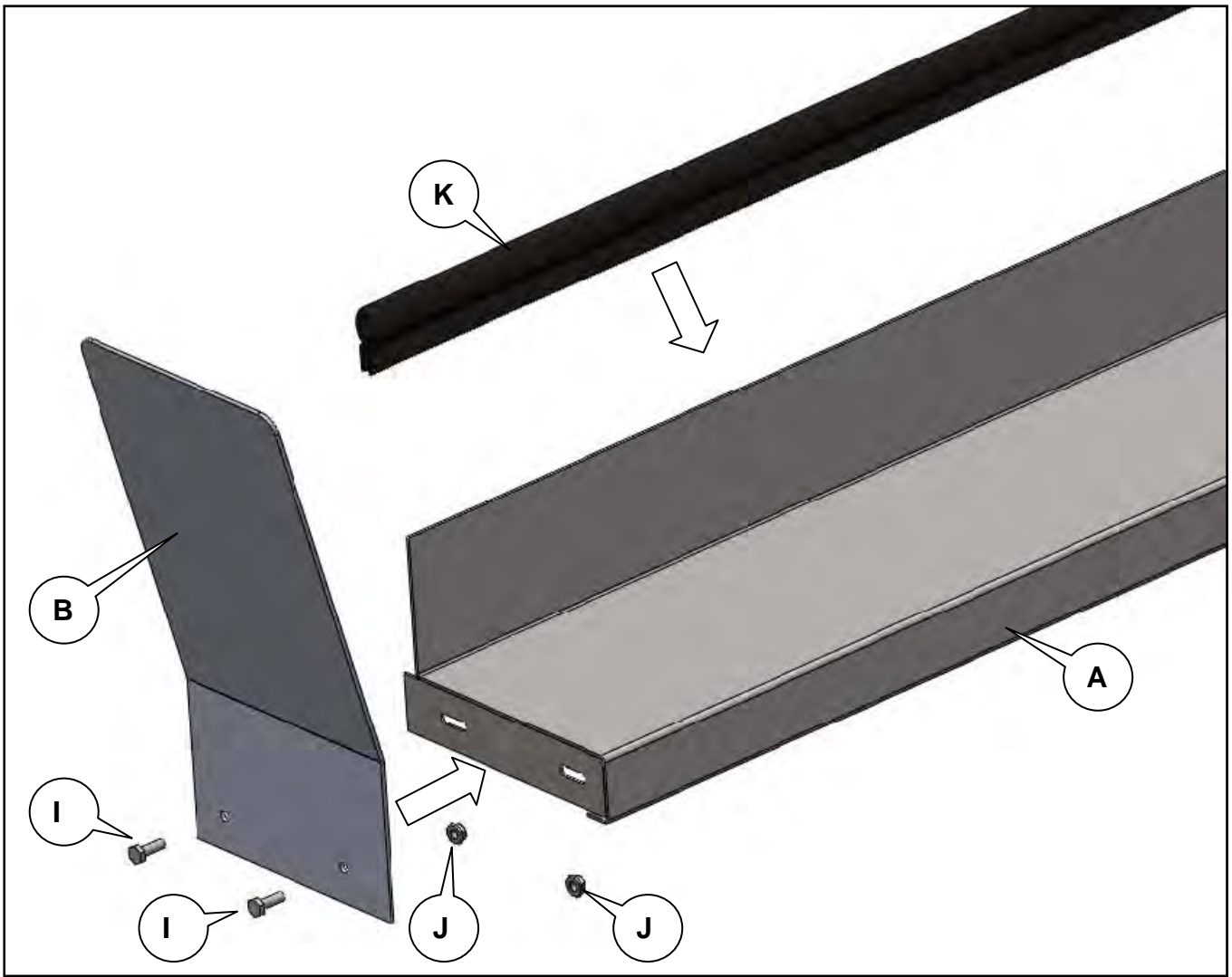
<p>A Running Board</p>  <p>BD 2032LP / RP 1LH / 1RH</p>	<p>B Britetread Mudflap</p>  <p>FP0300 X2</p>	<p>C Rocker Panel Mounting Bracket</p>  <p>B 1181P X4</p>
<p>D Driver Side Mounting Bracket</p>  <p>B 1183P X4</p>	<p>E 1/4" x 1" Ribneck Carriage Head Bolt</p>  <p>PN 87 X8</p>	<p>F 8mm Hex Flange Nut</p>  <p>PN 526 X8</p>
<p>G 8mm U-Clip</p>  <p>PN 431 X8</p>	<p>H 8mm X 25mm Flange Head Bolt</p>  <p>PN 525 X16</p>	<p>I 1/4" x 3/4" Hex Head Bolt</p>  <p>PN 70 X4</p>
<p>J 1/4"-20 Hex Flange Nut</p>  <p>PN 178 X12</p>	<p>K Bulb-Seal Gasket</p>  <p>GSK-41 10.5 ft.</p>	<p>L 1/4" x 1" Sheet Metal Screw</p>  <p>PN 97 X4</p>

Tools Required

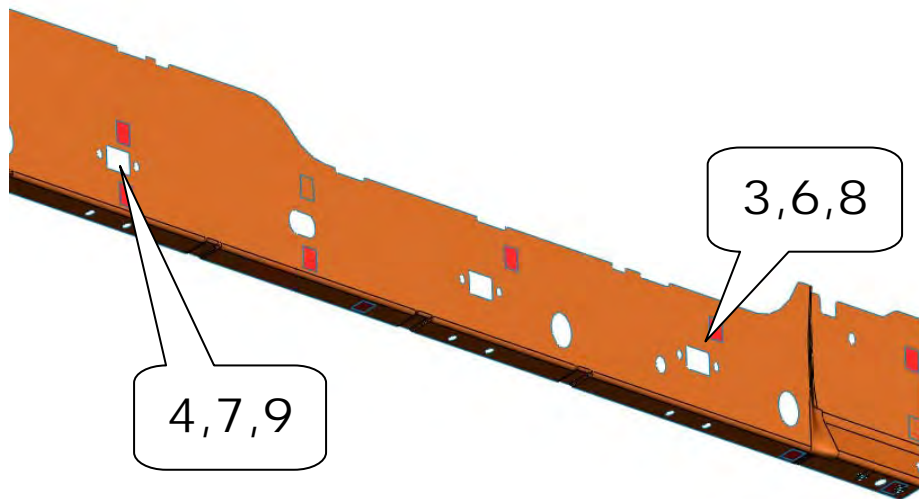
- Ratchet / Wrench
- 10mm / 15mm / 13mm 7/16" 3/8"
- Drill
- 1/4" drill bit, 3/16" drill bit



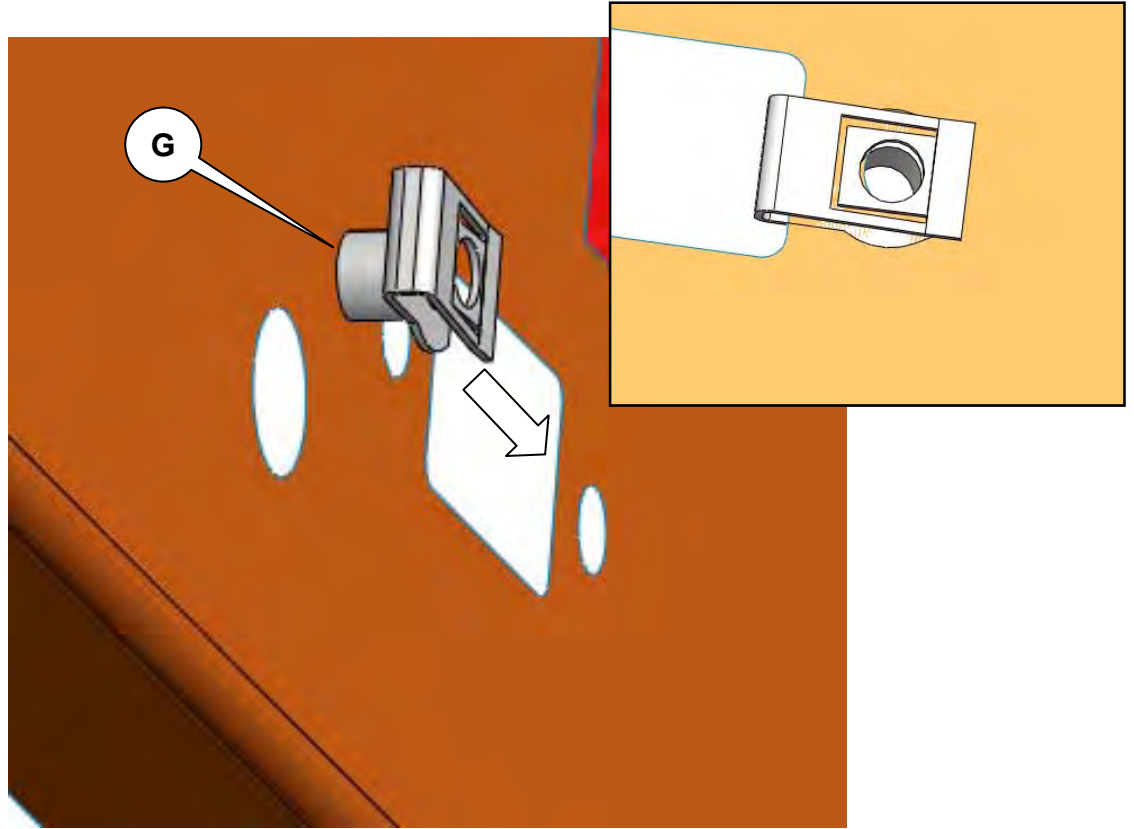
1



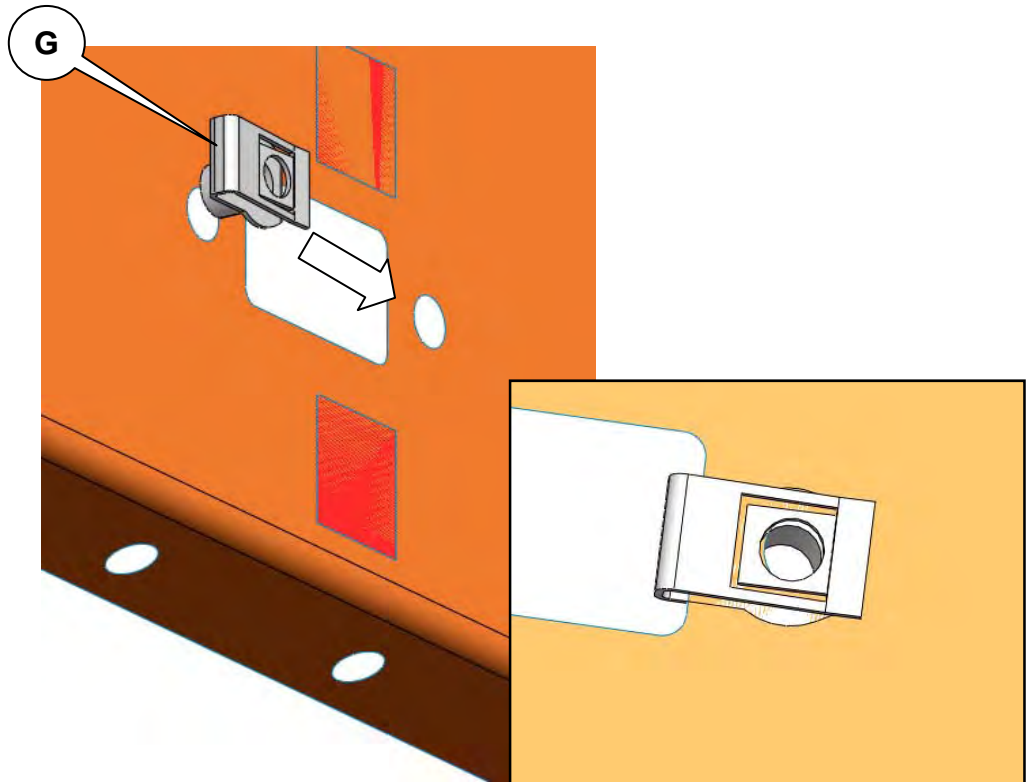
2



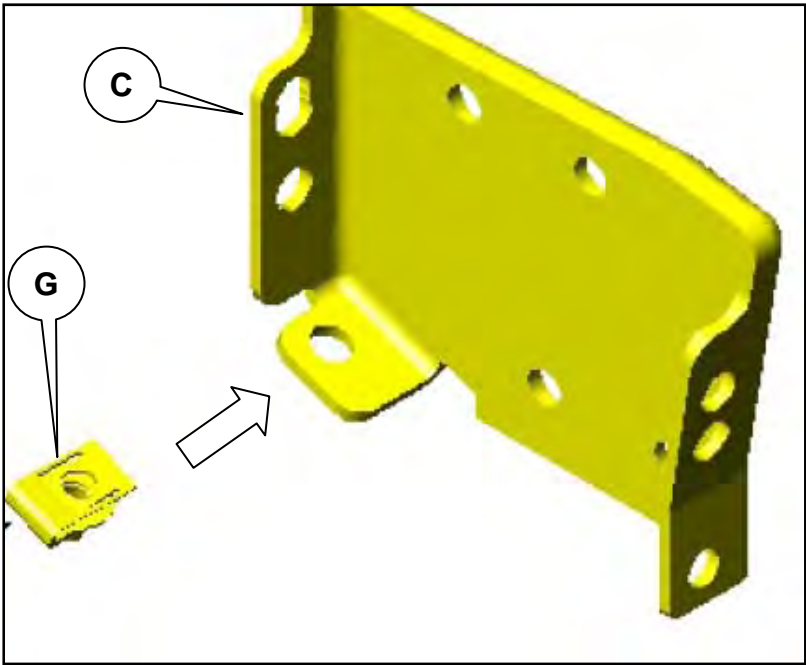
3



4

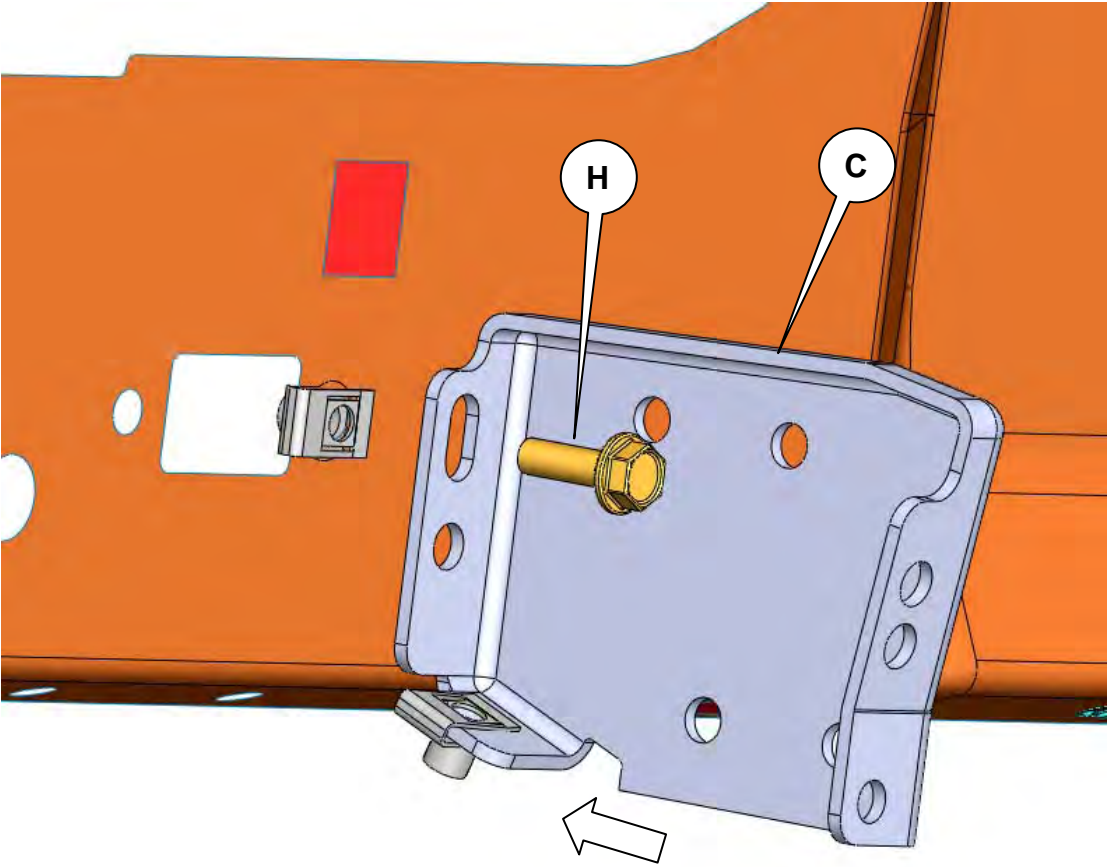


5

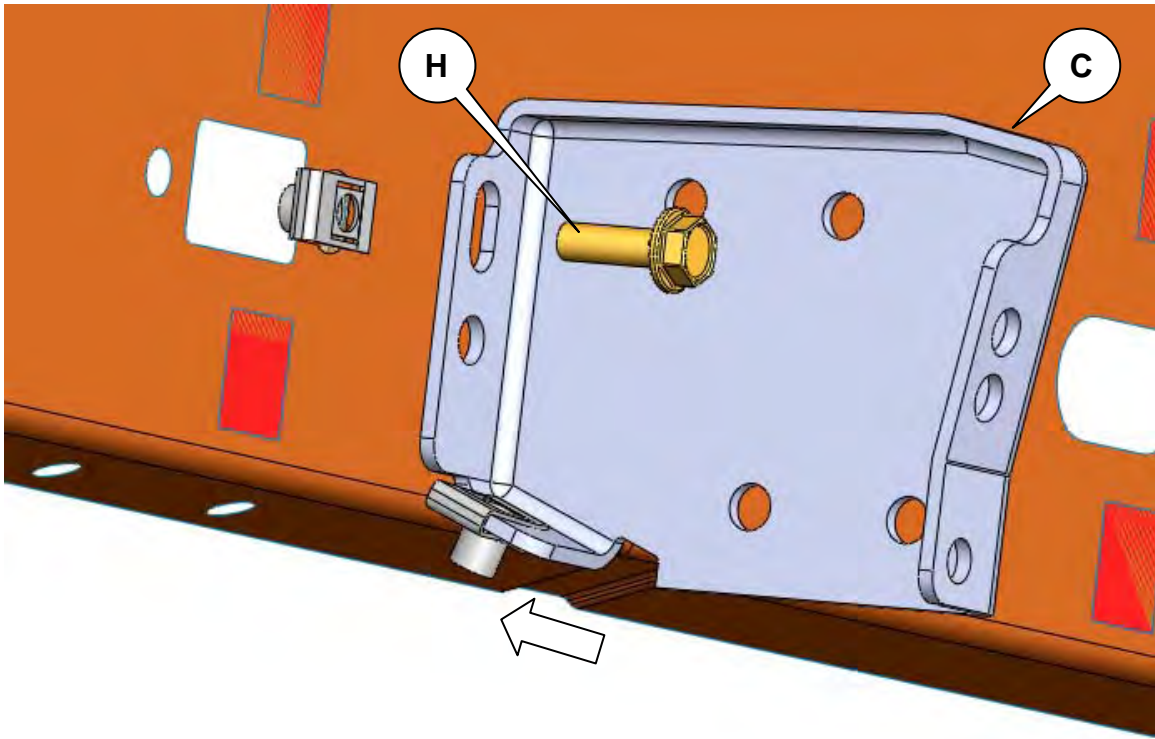


X2

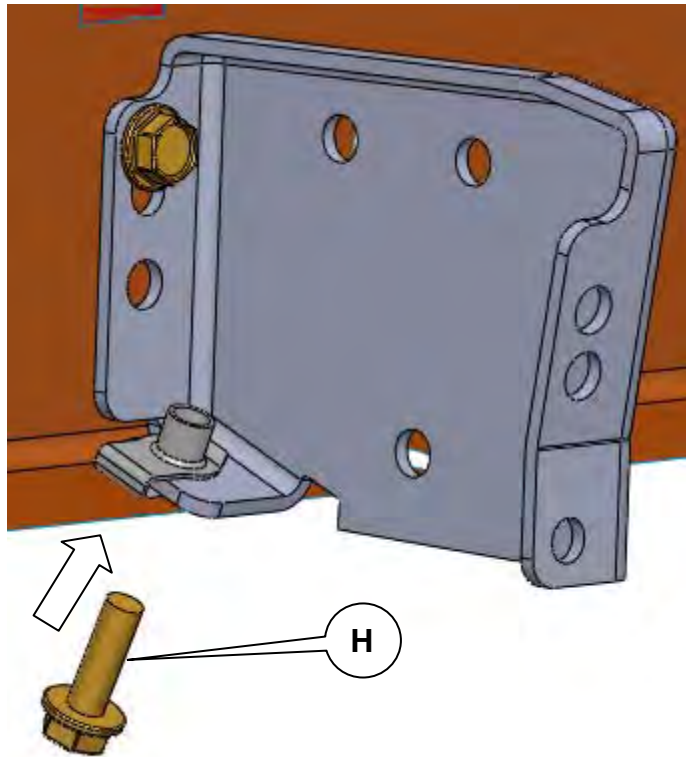
6



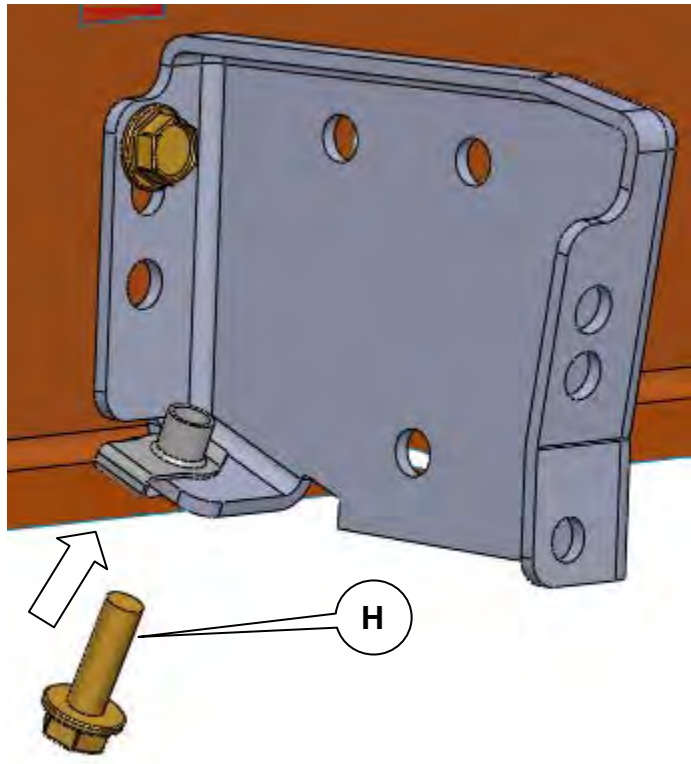
7



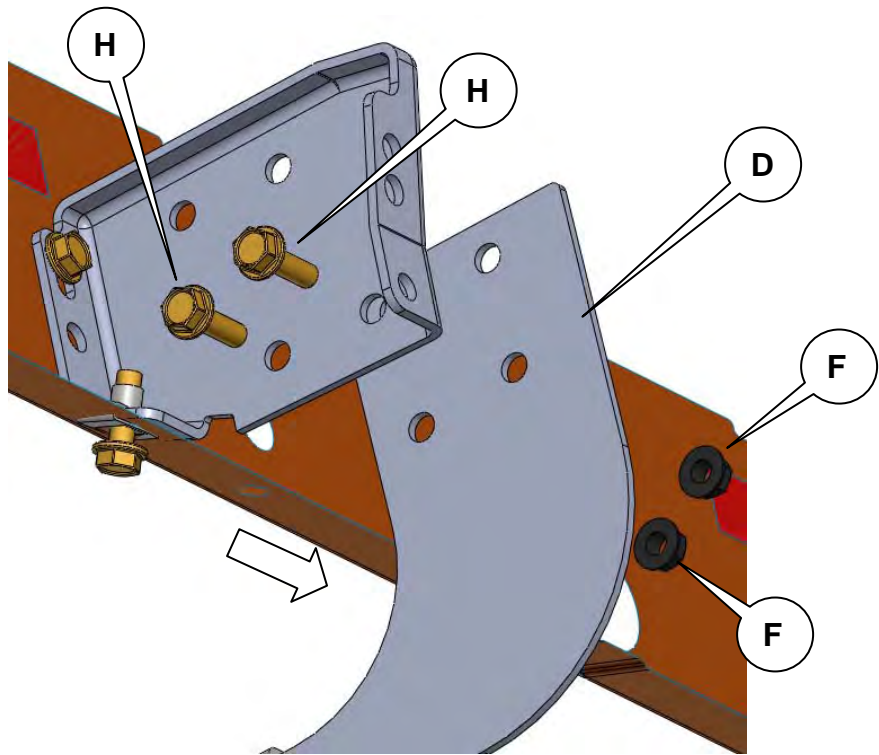
8



9

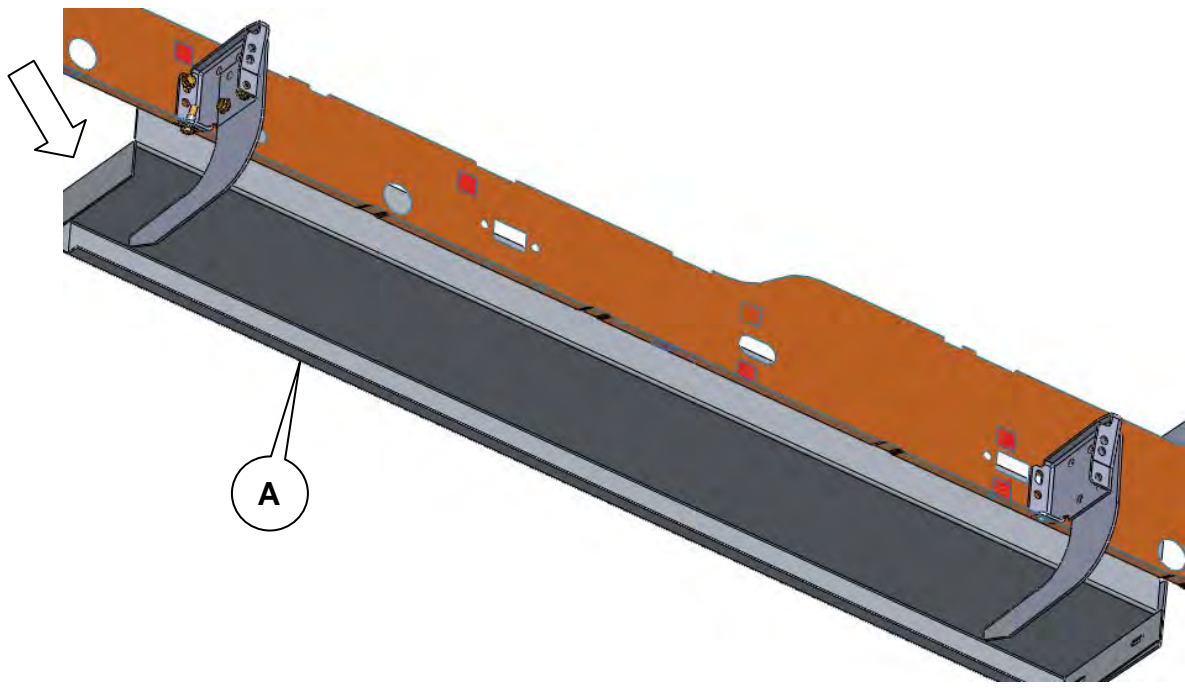


10



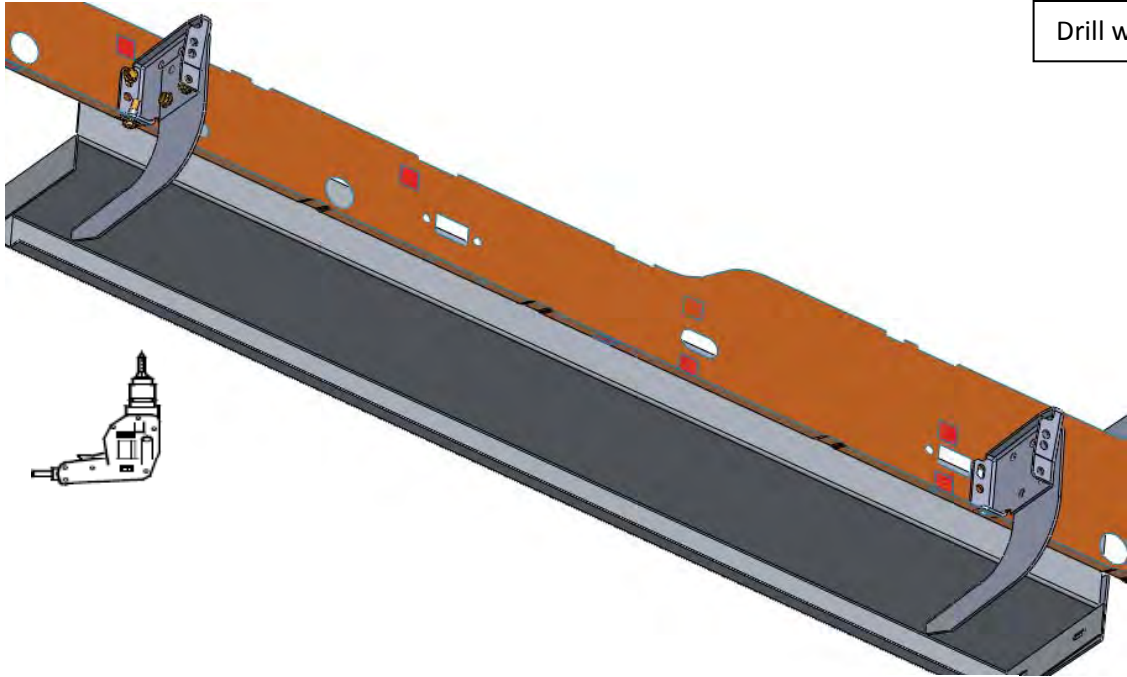
X2

11



12

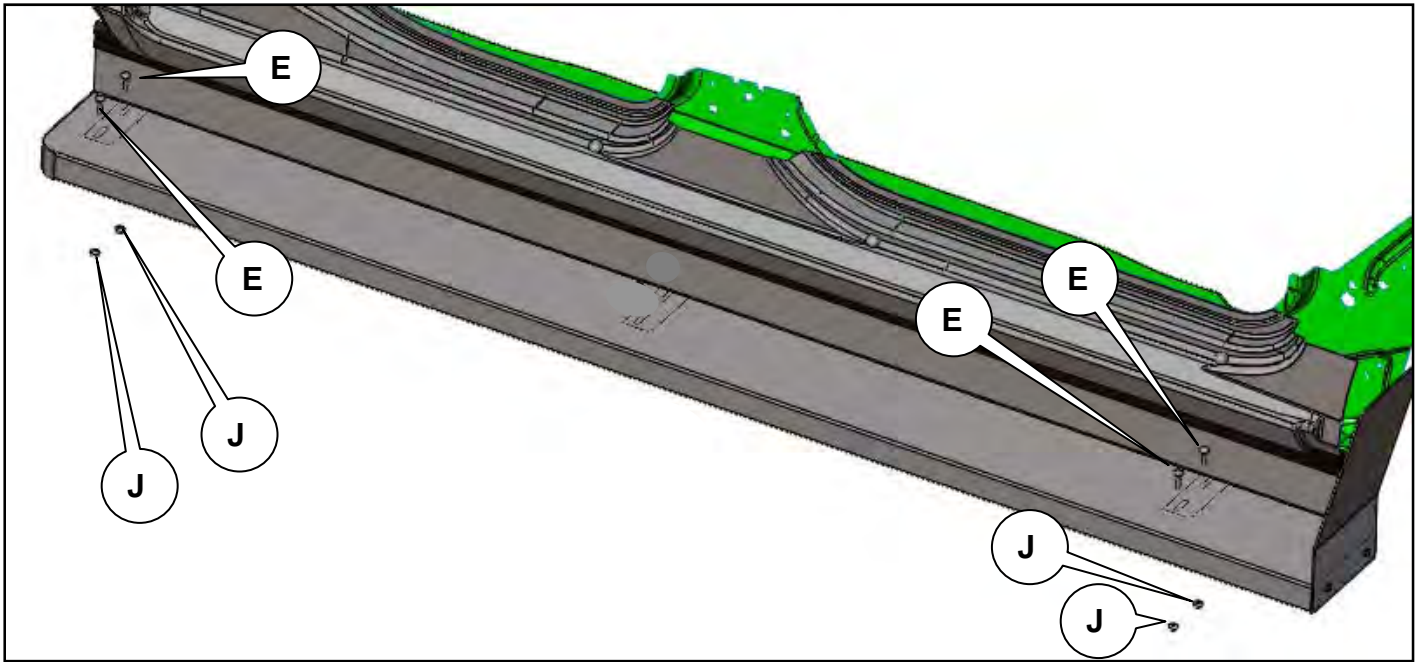
Drill w/ 1/4" bit



13

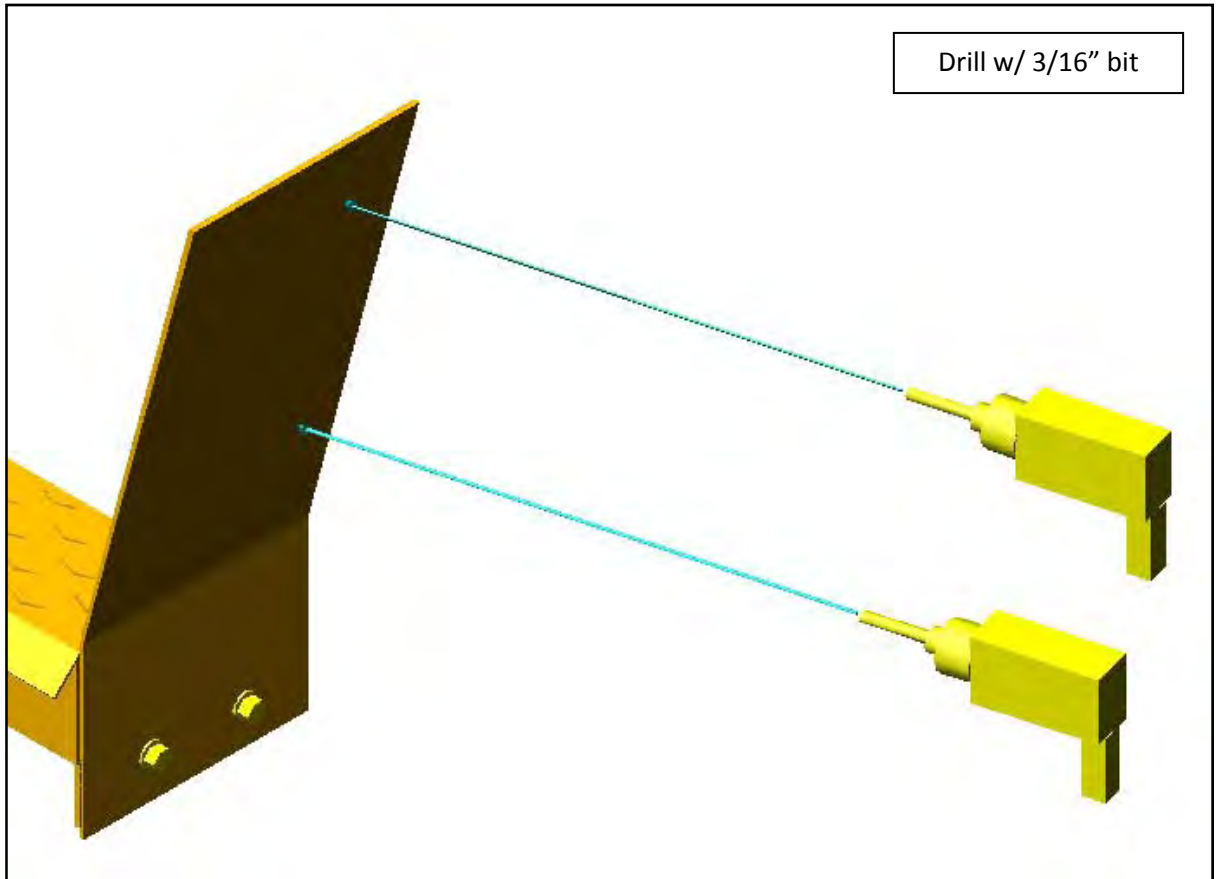
7/16" Wrench

16 ft-lbs (22Nm)



14

Drill w/ 3/16" bit



15

