



**Before returning this product
to the store of purchase**

Contact Dee Zee if you experience the following problems:

- Missing Parts
- Installation Problems/Questions
- Warranty Questions

1.800.779.2102

Hours of operation: 8am - 5pm CST, Mon-Friday

Review complete warranty policy and register your product at:

www.deezee.com



Dee Zee Running Board Installation Instructions

Congratulations on your purchase of a quality Dee Zee product. Dee Zee is recognized as having the highest quality running boards and accessories on the market today. We have earned this reputation by offering our customers a product they can be proud to place on their vehicles. Dee Zee meets all the criteria of manufacturing a custom-fit product which guarantees it to be the easiest product to install.

Note: Please take time to read all of the instructions before beginning this installation.

Warning! It is the sole responsibility of the vehicle owner to check for tire clearance.

Warning! It is unlawful and dangerous to ride on running boards or side box boards while vehicle is in motion.

Cleaning instructions: To maintain the finish of your Dee Zee running boards, clean with a mild detergent and use a high grade automotive type wax. **DO NOT USE ABRASIVE CLEANERS ON THIS PRODUCT!**

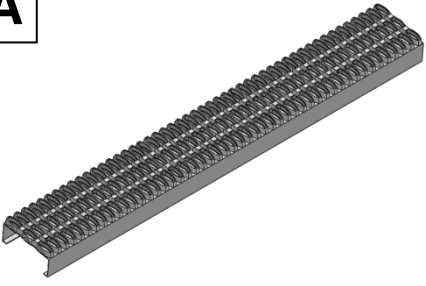
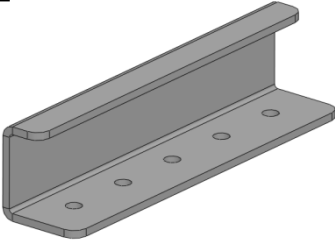
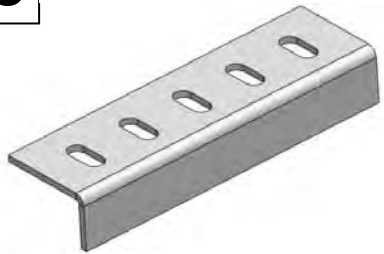
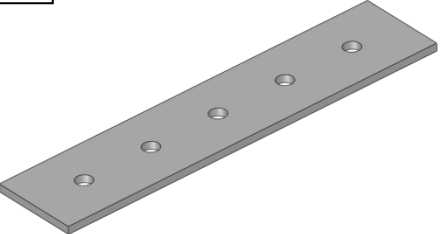
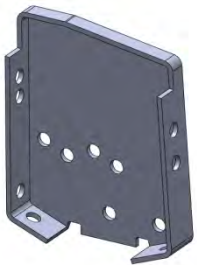







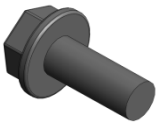
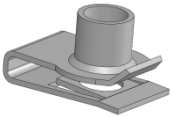
If you should happen to have any questions with this product or you have an installation question, please feel free to call us at:

1-800-779-8222

If you would like to find out more information on Dee Zee's products, please feel free to visit our website at:

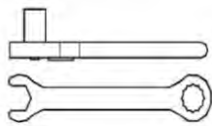
WWW.DEEZEE.COM

DZ 2536, DZ 2537, DZ 2538 (2008 – Current) Ford F250

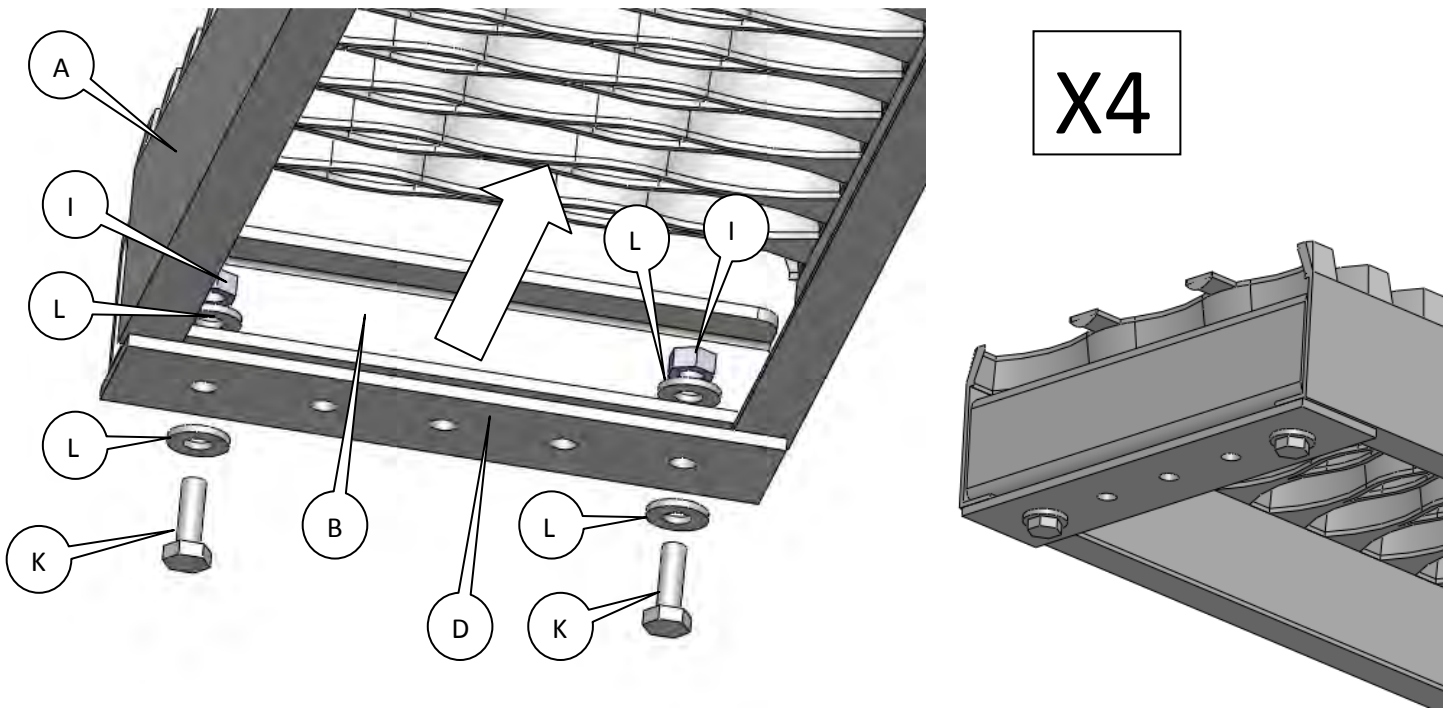
<p>A Running Boards</p>  <p>Various X2</p>	<p>B End Caps</p>  <p>EC RSP X4</p>	<p>C Angle Bracket</p>  <p>B 1792P X4-Regular cab X6-Crew & Super cabs</p>	
<p>D Strap bracket</p>  <p>B 1791P X8-Regular cab X10-Crew & Super cabs</p>	<p>E Mounting bracket</p>  <p>B 1182P X4-Regular cab X6-Crew & Super cabs</p>	<p>F Mounting bracket</p>  <p>B 1183P X4-Regular cab X6-Crew & Super cabs</p>	
<p>G 3/8 Flat washer</p>  <p>PN 113B X16-Regular X24-Crew/Super</p>	<p>H 3/8 Hex head bolt</p>  <p>PN 114B X8-Regular X12-Crew/Super</p>	<p>I 1/4 hex nut</p>  <p>PN 71B X20-Regular X26-Crew/Super</p>	<p>J 3/8 nut</p>  <p>PN 90B X8-Regular X12-Crew/Super</p>
<p>K 1/4 hex head bolt</p>  <p>PN 96B X20-Regular X26-Crew/Super</p>	<p>L 1/4 flat washer</p>  <p>PN 72B X40-Regular X52-Crew/Super</p>	<p>M M8 flange head bolt</p>  <p>PN 525 X8-Regular X12-Crew/Super</p>	<p>N U-clip</p>  <p>PN 909 X8-Regular X12-Crew/Super</p>

Tools Required

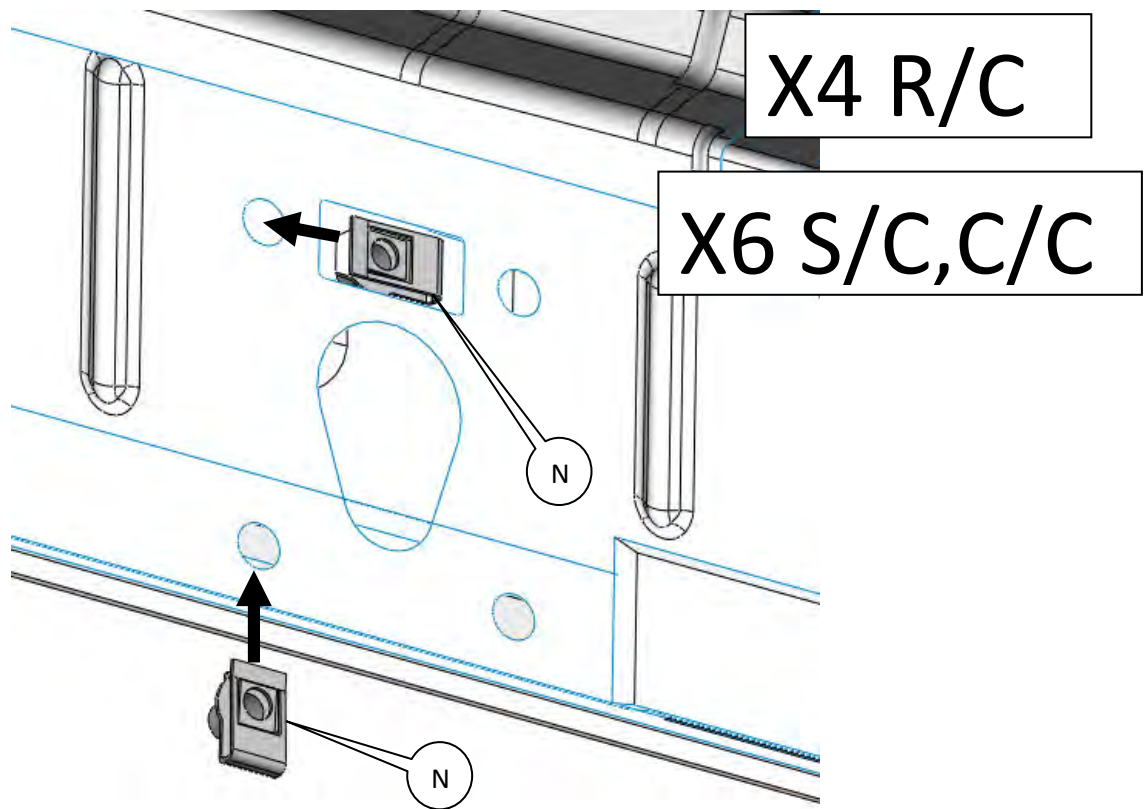
Ratchet / Wrench
7/16"
9/16"



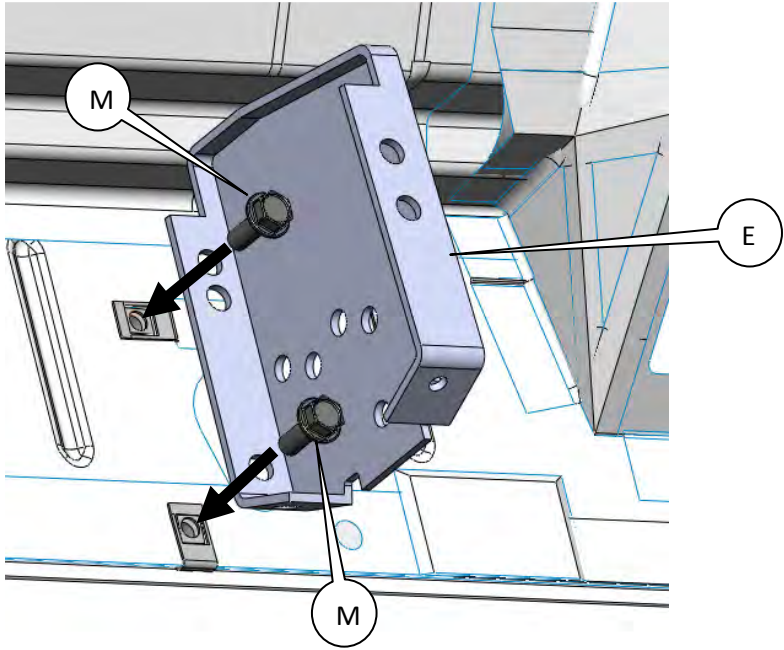
1



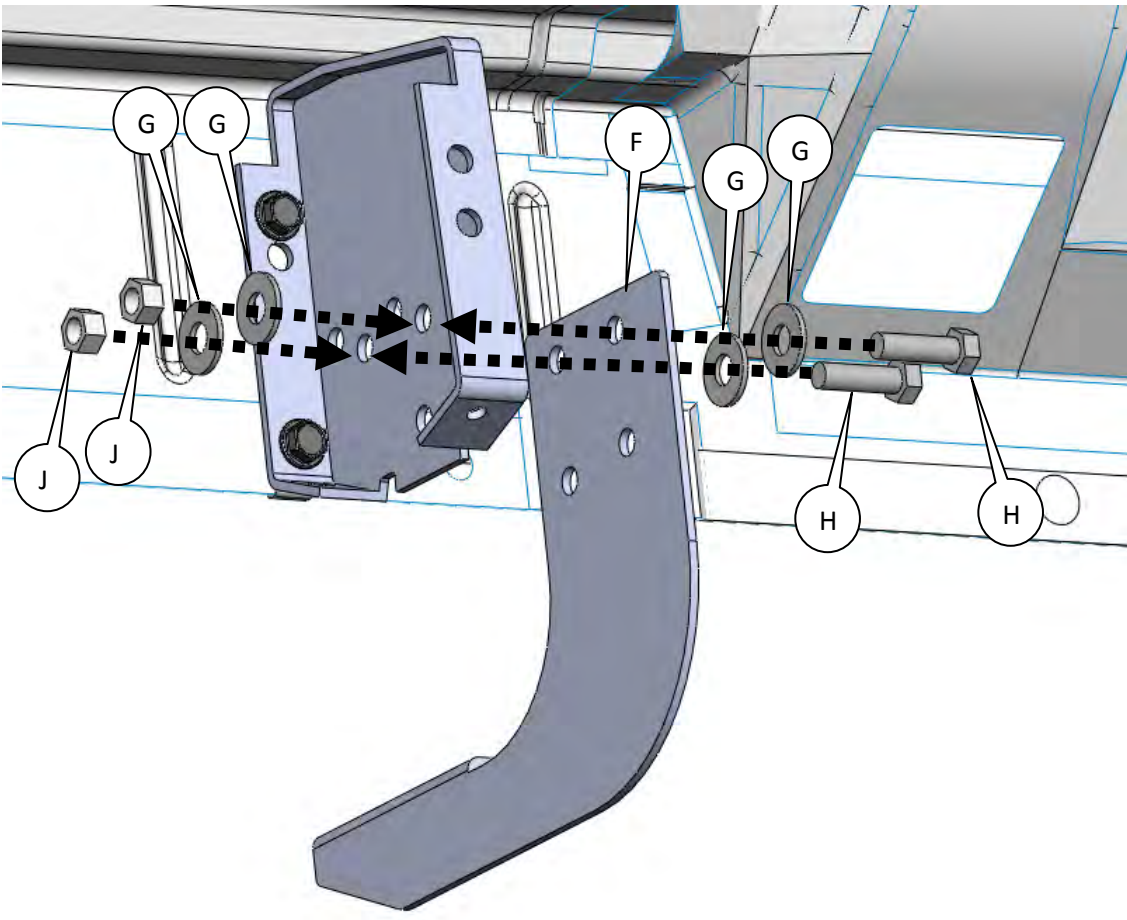
2



3



4



5

