



**Before returning this product  
to the store of purchase**

**Contact Dee Zee if you experience the following problems:**

- Missing Parts
- Installation Problems/Questions
- Warranty Questions

**1.800.779.2102**

Hours of operation: 8am - 5pm CST, Mon-Friday

Review complete warranty policy and register your product at:

**[www.deezee.com/warranty.php](http://www.deezee.com/warranty.php)**

# INSTALLATION INSTRUCTIONS

## SIDE BAR

98-01 DODGE RAM P/U QUAD CAB 4 DR

94-01 DODGE RAM P/U EXT CAB 2 DR

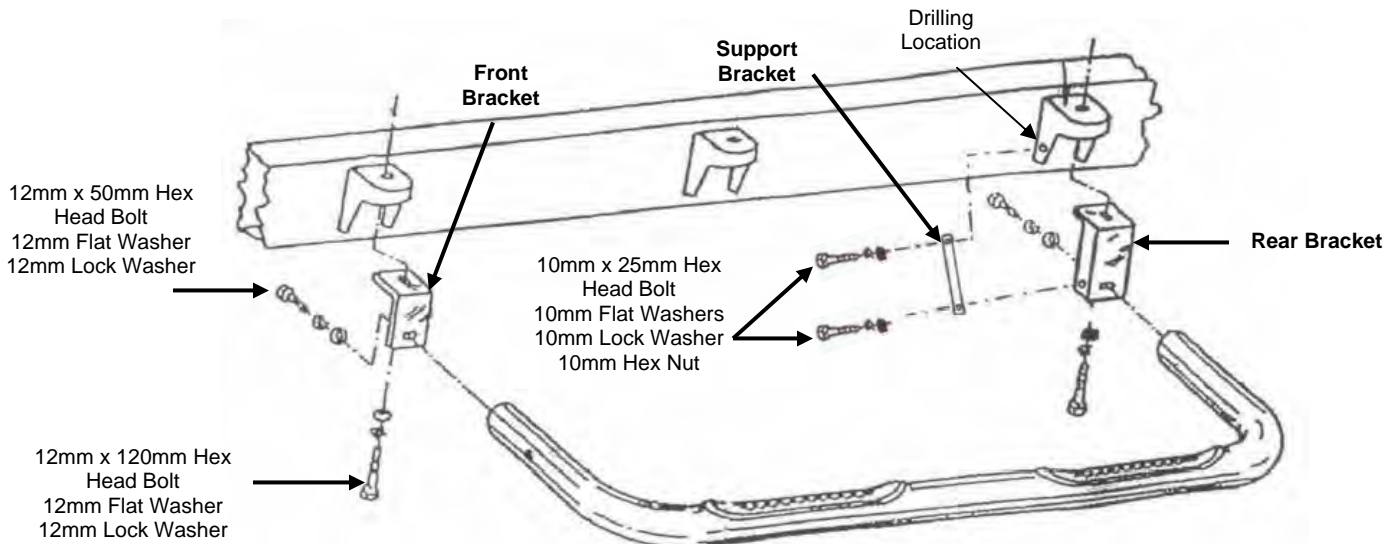
PART NUMBER DZ 37022x & DZ 37023x

### PARTS LIST:

1	Driver/Left Sidebar	4	12-1.75mm x 50mm Hex Head Bolt
1	Passenger/Right Sidebar	8	12mm ID x 38mm OD x 3mm Flat Washers
2	Front Mounting Brackets	8	12mm Lock Washers
2	Rear Mounting Brackets	4	10-1.50mm x 25mm Hex Head Bolts
2	Rear support Bracket	8	10mm ID x 30mm OD x 3mm Flat Washers
4	Plastic Rings	4	10mm Hex Nuts
4	12-1.75mm x 110mm Hex Head Bolt, zinc plated GR5	4	10mm Lock Washers

### PROCEDURE:

- 1. REMOVE CONTENTS FROM BOX. VERIFY ALL PARTS ARE PRESENT. READ INSTRUCTIONS CAREFULLY BEFORE STARTING INSTALLATION. MINOR DRILLING REQUIRED.**
- Remove the driver front and rear body mounts. There are a total of four Mounting Brackets in the hardware kit. Locate the smaller brackets and loosely install one on the driver side front using the factory bolt or the included (1) 12mm x 110mm Hex Head Bolt, (1) 12mm Flat Washer, and (1) 12mm Lock Washer. Do not tighten at this time.
- Repeat step 2 to install driver rear Mounting Brackets. **NOTE:** The larger Mounting Brackets are for the rear locations.
- Attach driver Sidebar to Mounting brackets using the included (2) 12mm x 50mm Hex Head Bolts, (2) 12mm Lock Washers, and (2) 12mm Flat Washers.
- Align and level Sidebar, then tighten all hardware at this time.
- Attach the Support Bracket to the rear Mounting Bracket with the included (1) 10mm x 25mm Hex Head Bolt, (2) 10mm Flat Washers, and (1) 10mm Lock Washers, using the holes in the Mounting Brackets that are towards the front of the vehicle.
- Using the remaining hole in the Support Bracket as a guide, mark and carefully drill the body mount housing with a 7/16" drill bit.
- Attach Support Bracket to body mount using the included (1) 10mm x 25mm Hex Head Bolt, (2) 10mm Flat Washers, and (1) 10mm Lock Washer. Tighten all hardware at this time.
- Repeat steps 2-8 for passenger Sidebar.
- Do periodic inspections to the installation to make sure that all hardware is secure and tight.



The pictures are only for reference, maybe the actual brackets maybe a little different.