



**Before returning this product  
to the store of purchase**

**Contact Dee Zee if you experience the following problems:**

- Missing Parts
- Installation Problems/Questions
- Warranty Questions

**1.800.779.2102**

Hours of operation: 8am - 5pm CST, Mon-Friday

Review complete warranty policy and register your product at:

**[www.deezee.com/warranty.php](http://www.deezee.com/warranty.php)**

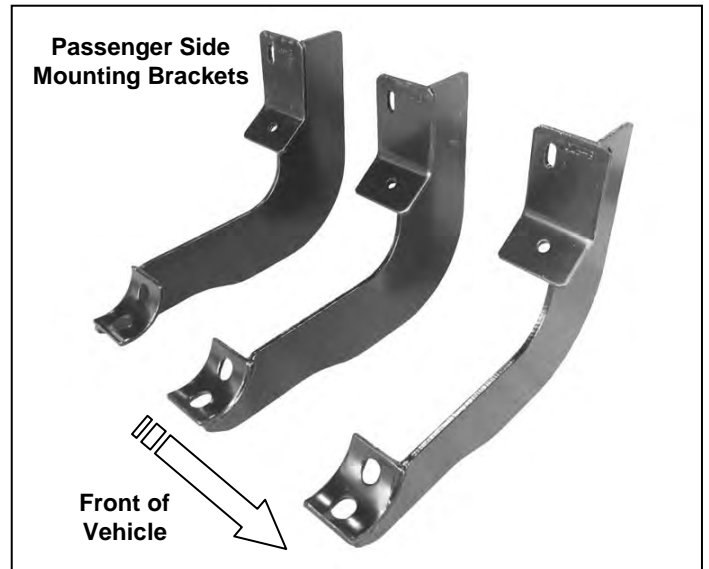
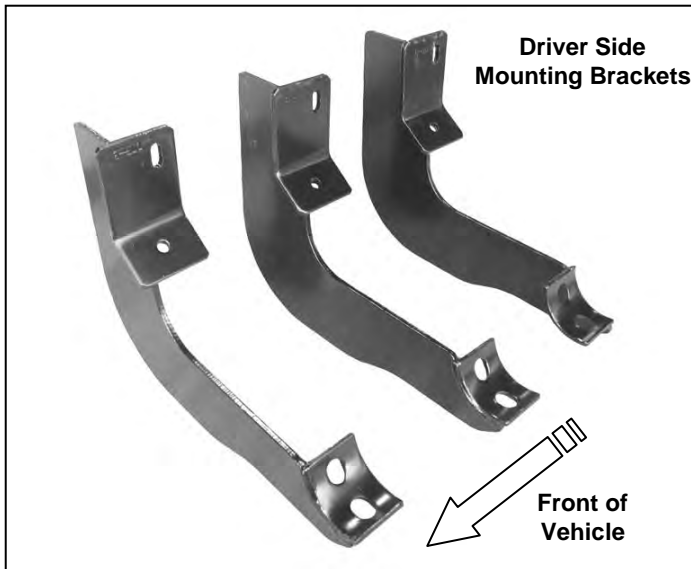
# INSTALLATION INSTRUCTIONS

## 3" SIDEBAR PART # DZ 370591/370592/370593

### 04-08 NISSAN TITAN CREW & EXT CAB

#### PARTS LIST:

1	Driver/Left Sidebar	12	10-1.50mm x 30mm Hex Head Bolts
1	Passenger/Right Sidebar	12	10mm Lock Washers
1	Driver/Left Front Mounting Bracket	12	10mm ID x 25mm OD x 3mm Flat Washers
1	Passenger/Right Front Mounting Bracket	6	8-1.25mm x 25mm Hex Head Bolts
1	Driver/Left Center Mounting Bracket	6	8mm Nylock Nuts
1	Passenger/Right Center Mounting Bracket	12	8mm ID x 22mm OD x 1.5mm Flat Washers
1	Driver/Left Rear Mounting Bracket		
1	Passenger/Right Rear Mounting Bracket		



## PROCEDURE:

1. REMOVE CONTENTS FROM BOX. VERIFY ALL PARTS ARE PRESENT. READ INSTRUCTIONS CAREFULLY BEFORE STARTING INSTALLATION.
2. On the driver side of the vehicle, locate the three factory threaded studs and the three threaded holes located on the side panel underneath of the vehicle (**Figure 1**). **NOTE:** You will need to remove the plastic plug on the side panel to locate the threaded holes.
3. Partially attach all three driver side Mounting Brackets to the factory threaded studs using the included (3) 8mm Flat Washers and (3) 8mm Nylock Nuts. Use (3) 8mm x 25mm Hex Head Bolts, and (3) 8mm Flat Washers to attach it to threaded holes (**Figure 2, 3, & 4**).  
**NOTE:** The cradles on the front and center Mounting Brackets should be facing the rear of the vehicle and the cradle on the rear Mounting Bracket should be facing the front of the vehicle (**Figure 5 & 6**).
4. Once all three Mounting Brackets are partially installed, place driver Sidebar onto Mounting Brackets. Use the included (6) 10mmx 30mm Hex Head Bolts, (6) 10mm Lock Washers, and (6) 10mm Flat Washers to attach Sidebar to Mounting Brackets (**Figure 7**).
5. Level and adjust Sidebar; then tighten all hardware at this time.
6. Repeat steps 2-5 for passenger Sidebar.
7. Do periodic inspections to the installation to make sure that all hardware is secure and tight.

**To protect your investment**, wax this product after installing. Regular waxing is recommended to add a protective layer over the finish. Do not use any type of polish or wax that may contain abrasives that could damage the finish.

**For stainless steel:** Aluminum polish may be used to polish small scratches and scuffs on the finish. Mild soap may be used also to clean the Sidebar.

**For gloss black finishes:** Mild soap may be used to clean the Sidebar.

### (Driver Side Installation Shown)

