



**Before returning this product
to the store of purchase**

Contact Dee Zee if you experience the following problems:

- Missing Parts
- Installation Problems/Questions
- Warranty Questions

1.800.779.2102

Hours of operation: 8am - 5pm CST, Mon-Friday

Review complete warranty policy and register your product at:

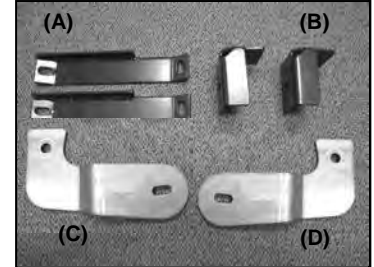
www.deezee.com/warranty.php

INSTALLATION INSTRUCTIONS

SIDE BAR PART # DZ 372541/372543

2007 -08 Chevy Avalanche 2500\2007 -08GMC Yukon XL 3/4\ 2007 -08 Suburban 3/4 ton

Description	Qty.	Description	Qty.
Passenger Side Bar	1	½" x 2" Hex Head Bolts	4
Driver Side Bar	1	½" Flat Washers	4
Front Mounting Brackets (B)	2	½" Lock Washers	4
Center Mounting Brackets (A)	2	8-1.25mm x 25mm Hex Head Bolts	2
Passenger Side Rear Mounting Bracket (D)	1	8mm Flat Washer	2
Driver Side Rear Mounting Bracket (C)	1	8mm Lock Washer	2



PROCEDURE:

1. REMOVE CONTENTS FROM BOX. VERIFY ALL PARTS ARE PRESENT. READ INSTRUCTIONS CAREFULLY.
2. Remove passenger side front and center body mount bolts from vehicle. **NOTE:** Do not remove body mount bushings.
3. Hang front and center Mounting Brackets into position by partially threading factory bolts back into body mounts (Figure 1 & 2). Do not tighten at this time.
4. From underside of vehicle, remove the existing passenger side front leaf spring mounting bolt nut (Figure 3). **WARNING!** Do not attempt to remove the bolt from leaf spring.
5. Position passenger side rear Mounting Bracket onto leaf spring mounting bolt cavity. Attach Mounting Bracket to vehicle using the factory nut and bolt. Do not tighten at this time. **NOTE:** Keep adjusting Mounting Bracket into place as you tighten the nut and bolt.
6. With help position Side Bar onto Mounting Brackets. Attach front and rear Mounting Brackets to Side Bar using the included (2) ½" x 2" Hex Head Bolts, (2) ½" Flat Washers, and (2) ½" Lock Washers. Do not tighten at this time.
7. Attach center Mounting Bracket to Side Bar using the included (1) 8-1.25mm x 25mm Hex Head Bolt, (1) 8mm Flat Washer, and (1) 8mm Lock Washer. Do not tighten at this time.
8. Level and adjust Side Bar, then tighten all hardware at this time.
9. Repeat steps 2-8 for driver Side Bar.
10. Do periodic inspections to the installation to make sure that all hardware is secure and tight.

Front Passenger Side Shown

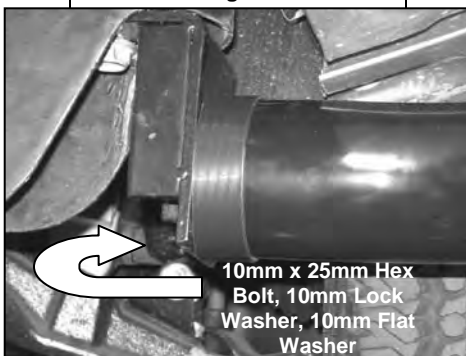


Figure 1

Center Passenger Side Shown

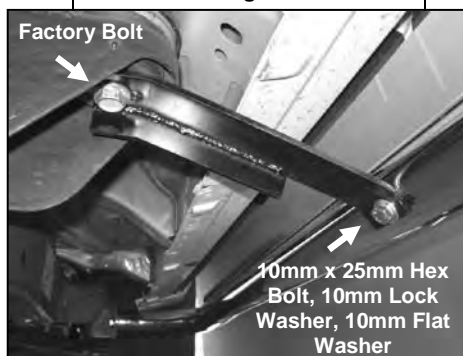


Figure 2

Rear Passenger Side Shown



Figure 3