



**Before returning this product
to the store of purchase**

Contact Dee Zee if you experience the following problems:

- Missing Parts
- Installation Problems/Questions
- Warranty Questions

1.800.779.2102

Hours of operation: 8am - 5pm CST, Mon-Friday

Review complete warranty policy and register your product at:

www.deezee.com/warranty.php

INSTALLATION INSTRUCTIONS
GRILL GAURD PART # DZ 500194/500195
03-06 GMC HUMMER H2

PARTS LIST

1 - Front Bar
(4) M10X1.5X40MM BOLTS (2) SPACER
(2) M8X1.25X55MM BOLTS (6) M10 WASHER
(2) 3/8X1 1/4 BUTTON HEAD BOLTS

INSTALLING FRONT BAR

- 1 REMOVE LOWER GRILLE ASSEMBLY FROM THE VEHICLE, AS SHOWN IN FIGURE 1. OPEN HOOD TO GAIN ACCESS TO CLIPS ON BACK OF LOWER GRILLE ASSEMBLY, USING THE PLIERS, COMPRESS THE CLIPS TO FREE THE LOWER GRILL ASSEMBLY.
- 2 WITH HOOD OPEN, REMOVE UPPER GRILLE SURROUND BOLTS, AS SHOWN IN FIGURE 2. REPEAT FOR OPPOSITE SIDE NOTE FIGURE 2 SHOWN WITH HOOD CLOSED TO SHOW CLARITY.
- 3 LOCATE FOUR HOLES ON HOOD HINGES. INSTALL THE FRONT BAR TO HOOD HINGE ASSEMBLY USING THE FOUR BOLTS TWO PER HINGE AS IN FIGURE 3 HAND TIGHTEN ONLY
- 4 WITH HOOD OPEN, INSTALL UPPER BAR SURROUND BOLTS THROUGH BAR PENCIL BRACKET THROUGH SPACER AND INTO BAR SURROUND AS SHOWN IN FIGURE 4 NOTE FIGURE 4 SHOWN WITH HOOD CLOSED TO SHOW CLARITY
- 5 INSTALL LOWER GRILL ASSEMBLY TO THE UPPER GRILLE ASSEMBLY WITH FOUR INTEGRAL CLIPS INTO THE FOUR SLOTS ON THE UPPER GRILLE ASSEMBLY, AS SHOWN IN FIGURE 5



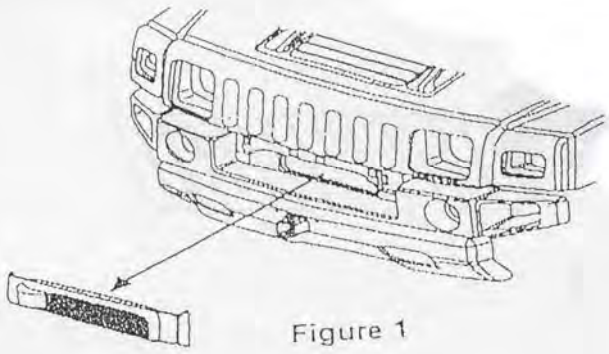


Figure 1

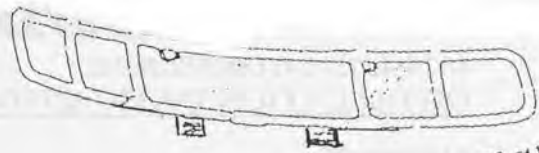


Figure 3

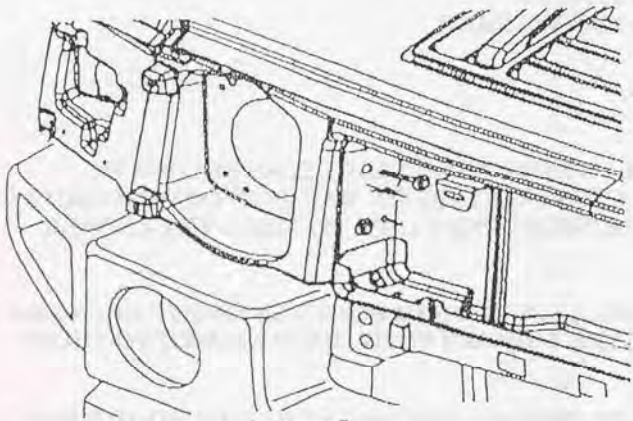


Figure 2

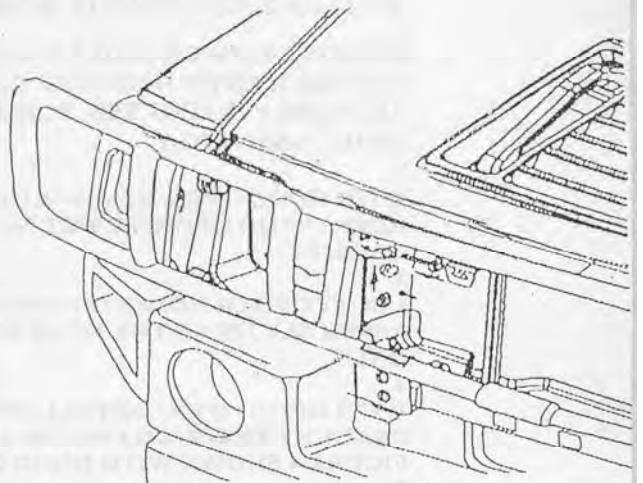


Figure 4

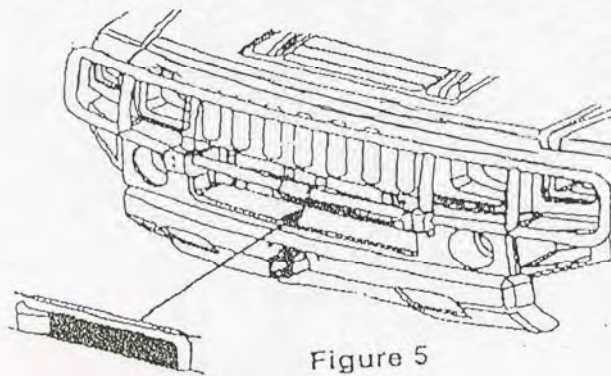


Figure 5