



**Before returning this product
to the store of purchase**

Contact Dee Zee if you experience the following problems:

- Missing Parts
- Installation Problems/Questions
- Warranty Questions

1.800.779.2102

Hours of operation: 8am - 5pm CST, Mon-Friday

Review complete warranty policy and register your product at:

www.deezee.com/warranty.php

INSTALLATION INSTRUCTIONS
Grill Guard Part #500824/500825
2007 Toyota FJ Cruiser

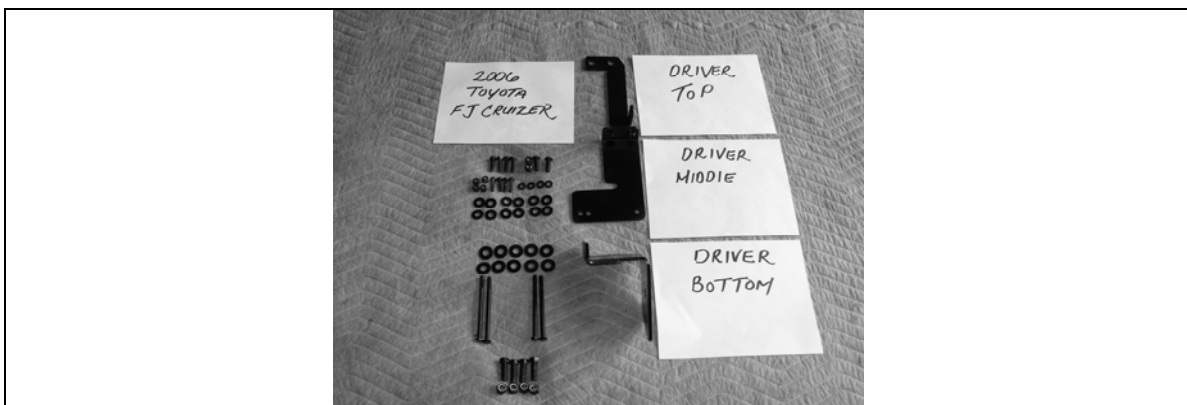
PART LIST

1	Grill Guard
2	Lower Bracket (Driver and Passenger)
2	Middle Bracket (Drive and Passenger)
2	Top Bracket (Drive and Passenger)
4	7/16 x 1 ¼ Hex Head Bolt
4	7/16 Hex Nyloc Nut
8	7/16 Flat Washer
4	5/16 x 1 Hex Head Bolt
4	5/16 Flat Washer
4	5/16 Spring Washer
2	3/8 x 1 Button Head Bolt
2	3/8 Hex Nyloc Nut
2	3/8 Flat Washer
4	M6 x 1.0 x 25 Hex Head Bolt
4	M6 Flat Washer
4	3/8-16x 4 ½ Hex Head Bolt
4	3/8 Hex Nyloc Nut
8	3/8 Flat Washer

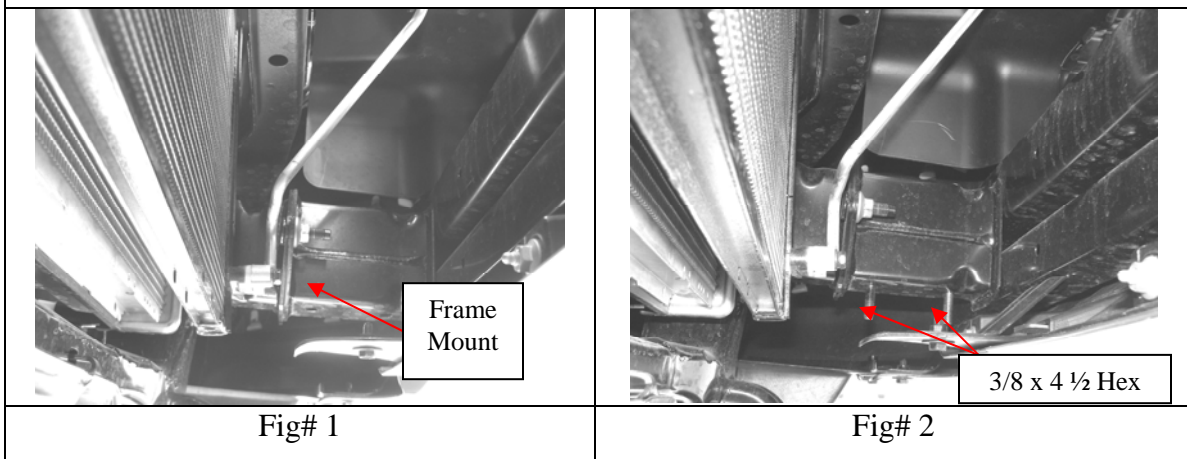
PROCEDURE:

1. Remove contents from box and check for damage. Verify all parts are present.
Read instructions carefully.
2. Locate frame mount for lower bracket (Driver side shown, See Fig #1). Insert (2) 3/8 x 4 ½ Hex Head bolt, (2) 3/8 Flat washer as shown (See Fig #2). Install lower bracket using (2) 3/8 Hex nyloc nut, (2) 3/8 Flat washer, leave loose (See Fig #3).
3. Repeat procedure #2 on opposite side
4. Remove Grill from vehicle for clearance and set aside. See Fig#4
5. Install middle bracket onto radiator support (Driver and Passenger) using (4) M6 x 1.0 x 25mm Hex head bolt, (4) M6 Flat washer and tighten. (Driver Side shown, see Fig #5)
6. Reinstall grill onto vehicle.

7. Insert top bracket in between bumper and grill (See Fig #6) Align and install top bracket onto middle bracket using (2) 5/16 Hex head bolt, (2) 5/16 Flat washer,(2)5/16 spring washer. Leave Loose (Driver side shown, see Fig #7)
8. Repeat procedure #7 on opposite side.
9. Install (1) Grill Guard onto vehicle starting with lower brackets, using (4) 7/16 x 1 ¼ Hex head bolts, (4) 7/16 Hex Nyloc Nut, (8) 7/16 Flat washer, then using (2) 3/8 x 1 button head bolts, (2) 3/8 Hex Nyloc nut, (2) 3/8 flat washer onto top brackets. Leave Loose (See Fig #8)
10. Level and adjust grill guard and desired then tighten.



Kit List



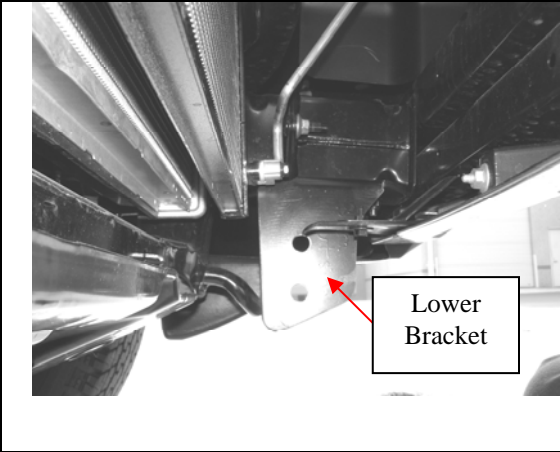
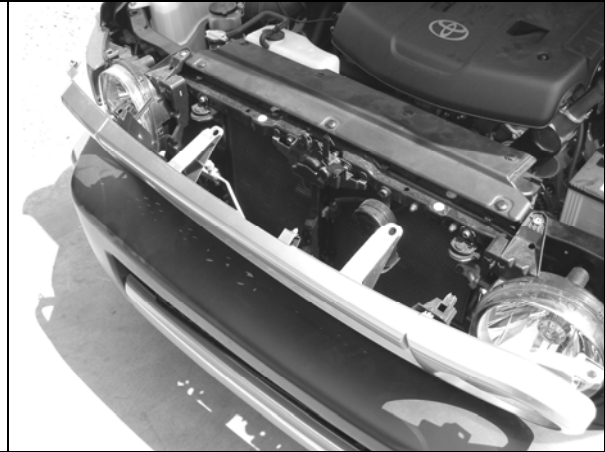


Fig #3



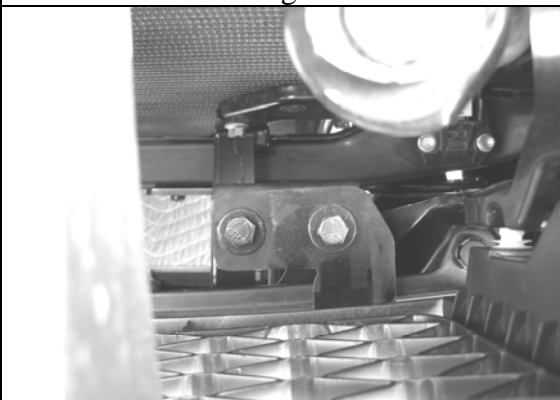
Fig# 4



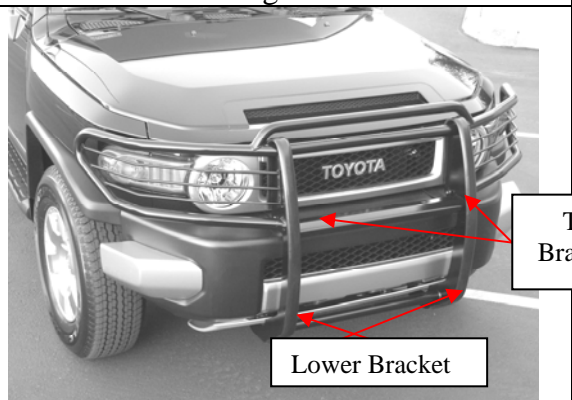
Fig #5



Fig#6



Fig# 7



Fig# 8