



**DO NOT**

**RETURN THIS  
PRODUCT TO  
THE RETAIL STORE**

**For assistance or warranty information,  
please contact us at: 1-800-779-2102  
Office hours are 8am to 5pm CST**



## Dee Zee Running Board Installation Instructions

***Congratulations on your purchase of a quality Dee Zee product. Dee Zee is recognized as having the highest quality running boards and accessories on the market today. We have earned this reputation by offering our customers a product they can be proud to place on their vehicles. Dee Zee meets all the criteria of manufacturing a custom-fit product which guarantees it to be the easiest product to install.***

Note: Please take time to read all of the instructions before beginning this installation.

Warning! Please check for wiring or other obstructions before drilling any holes into the vehicle. If it is necessary to drill any holes into the vehicle, Dee Zee recommends putting a sealant or rust inhibitor around all holes drilled into the body of the vehicle.

Warning! It is the sole responsibility of the vehicle owner to check for tire clearance.

Warning! It is unlawful and dangerous to ride on running boards or side box boards while the vehicle is in motion.

Cleaning Instructions: To maintain the bright finish of your Dee Zee running boards, clean with a mild detergent. For our stainless steel products and accessories, the application of a high grade automotive type wax is recommended.

If you should happen to have any questions with this product or you have an installation question, please feel free to call us at:

1-800-779-8222

If you would like to find out more information on Dee Zee's products please feel free to visit our website at:

[WWW.DEEZEE.COM](http://WWW.DEEZEE.COM)




# Dee Zee Sentinel Running Board Installation Instruction

## DZ 64022

### (2007) Tundra Crew Cab Pickup

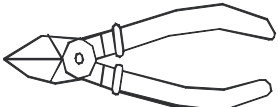
<p><b>A</b> Sentinel Running Board</p>  <p>BD 64022 ASSML/R X2</p>	<p><b>B</b> Bulb Seal Gasket</p>  <p>GSK-41 14.25 ft.</p>	<p><b>C</b> 1/4" Flat Washer</p>  <p>PN 72 X16</p>	<p><b>D</b> 1/4" Hex Nut</p>  <p>PN 71 X16</p>
---	--	---	---

<p><b>E</b> Front Driver Side Body Mount Bracket</p>  <p>B 1613LP X1</p>	<p><b>F</b> Middle Driver Side Body Mount Bracket</p>  <p>NOTE: HOLE</p> <p>B 1612LP X1</p>	<p><b>G</b> Rear Driver Side Body Mount Bracket</p>  <p>B 1611LP X2</p>
---	--	--

<p><b>H</b> Front Passenger Side Body Mount Bracket</p>  <p>B 1613RP X1</p>	<p><b>I</b> Middle Passenger Side Body Mount Bracket</p>  <p>NOTE: HOLE</p> <p>B 1612RP X1</p>	<p><b>J</b> Rear Passenger Side Body Mount Bracket</p>  <p>B 1611RP X2</p>
--	---	---

<p><b>K</b> 8MM-25MM Hex Flg. Bolt</p>  <p>PN 525 X16</p>	<p><b>L</b> 8MM Lock Washer</p>  <p>PN 507B X16</p>	
--	--	--

**Tools Required:**



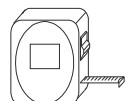
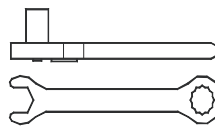
Tin-snips

Ratchet / Wrench

Sizes:

13mm

7/16"



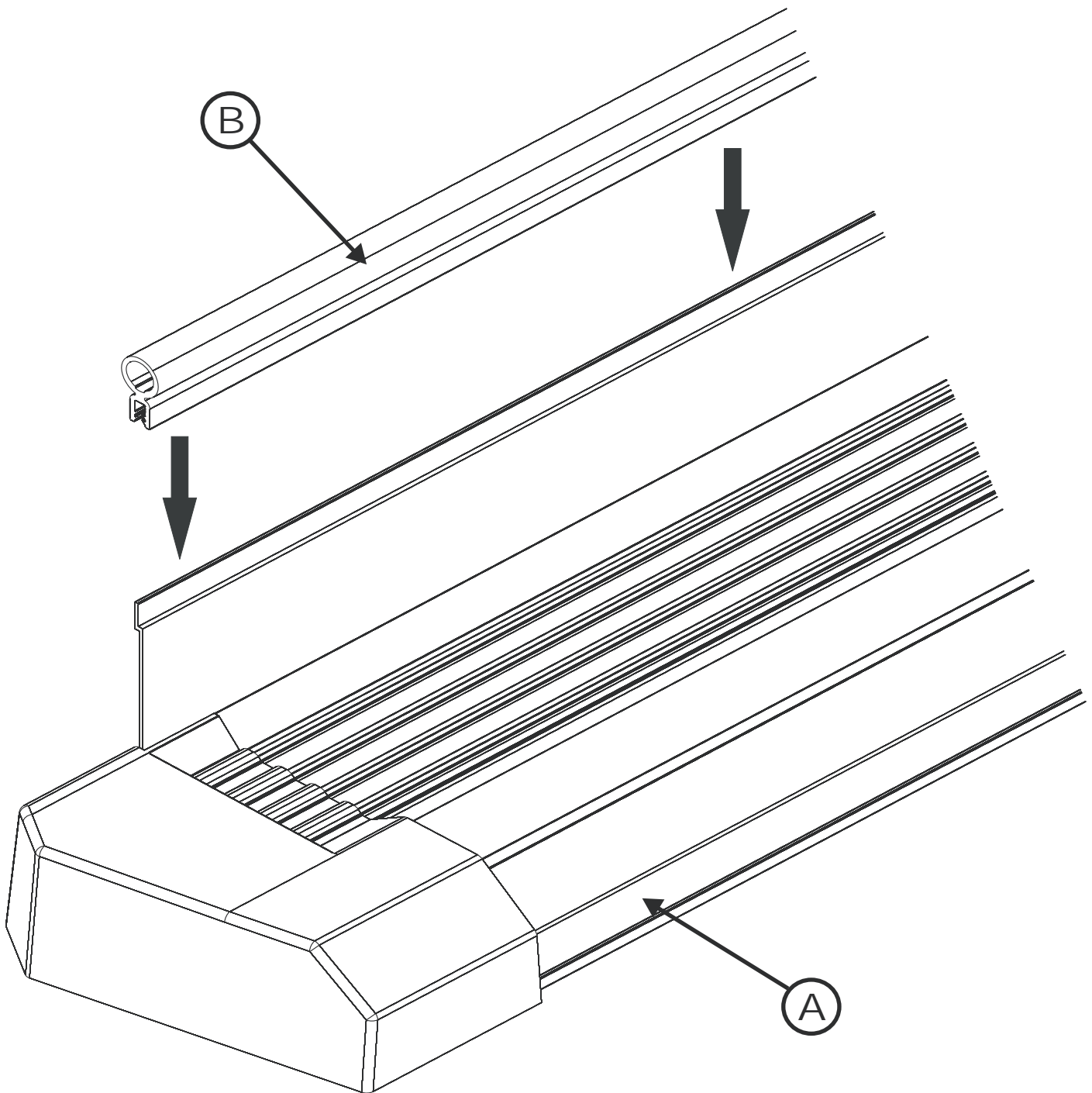
Tape Measure

1

Place the bulb-seal gasket (B) onto the backclip of the running board (A) and press it firmly into place. Cut the bulb-seal gasket so that it is flush with the ends of the running board (A).

Placez la garniture d'ampoule-joint (b) sur le backclip du panneau courant (a) et serrez fermement dans l'endroit. Coupez la garniture d'ampoule-joint de sorte qu'elle soit affleurante des extrémités du panneau courant (a).

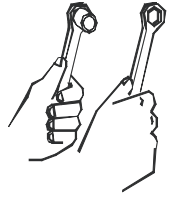
## Sentinel Running Board Assembly with Endcaps



2 Remove bolts from mounting locations Front/Middle/Rear.

Quite cerrojos de montar la Frente de ubicaciones/el Centro/Trasero.

7/16" Wrench  
or Socket



Front Body Mount  
(Passenger side shown)



Middle Body Mount  
(Passenger side shown)  
(2 Location)



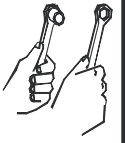
Rear Body Mount  
(Passenger side shown)



3

Place the Front (H)/Middle (I)/Rear (J) Bracket up to the Body Mount locations. Place the 8MM-25MM Hex Flg. Bolt (K) with the 8MM Lock Washer (L) through the holes in the Front/Middle/Rear Body Mount Bracket. Do not tighten these bolt into place. Leave loose until Board is in place.

13mm Wrench  
or Socket



Coloque la Frente (Middle H)/ (Rear I)/ (J) Paréntesis hasta las ubicaciones del Monte del Cuerpo. Coloque el Mal de ojo 8MM-25MM Flg. Cierre (K) con la 8 MM Arandela de la Cerradura (L) por los hoyos en la Frente/el Centro/Paréntesis Trasero de Monte de Cuerpo. No apriete éstos cierran en el lugar. La hoja afloja hasta que la Tabla esté en el lugar.



(K) (L)

Front Body Mount  
(Passenger side shown)

(H)



(K) (L)

Middle Body Mount  
(Passenger side shown)  
(2 Location)

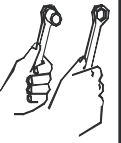
(I)



(K) (L)

2-Rear Body Mount  
(Passenger side shown)

(J)



Place the running board up to the front / middle / rear body mount brackets. Align the 1/4 x 3/4" slotted hex head bolts with the slots in the body mount brackets, place 1/4" flat washers (C) and 1/4" hex nuts (D) on 1/4" x 3/4" slotted hex head bolt, do not tighten. Make any final adjustments to the alignment of the running board on the vehicle and then tighten the Body Mount Bracket Bolts, then align board and tighten board bolts.

Coloque la tabla corriente hasta la frente/el centro/paréntesis traseros de monte de cuerpo. Alinee la 1/4 X 3/4" cerrojos de cabeza de mal de ojo de slotted con las ranuras en los paréntesis del monte del cuerpo, el lugar 1/4" arandelas planas (C) y 1/4" nueces del mal de ojo (D) en 1/4" X 3/4" cerrojo de cabeza de mal de ojo de slotted, no aprieta. Haga algún ajuste final a la alineación de la tabla corriente en el vehículo y entonces apriete los Cerrojos del Monte del Cuerpo, entonces alinean la tabla y aprietan cerrojos de tabla.

