



**Before returning this product
to the store of purchase**

Contact Dee Zee if you experience the following problems:

- Missing Parts
- Installation Problems/Questions
- Warranty Questions

1.800.779.2102

Hours of operation: 8am - 5pm CST, Mon-Friday

Review complete warranty policy and register your product at:

www.deezee.com



Dee Zee Cab Rack Installation Instructions

Congratulations on your purchase of a quality Dee Zee product. Dee Zee is recognized as having the highest quality running boards and accessories on the market today. We have earned this reputation by offering our customers a product they can be proud to place on their vehicles. Dee Zee meets all the criteria of manufacturing a custom-fit product which guarantees it to be the easiest product to install.

Note: Please take time to read all of the instructions before beginning this installation.



If you should happen to have any questions with this product or you have an installation question, please feel free to call us at:

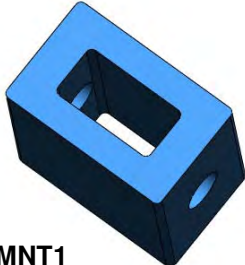
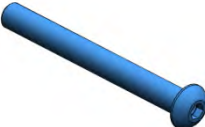
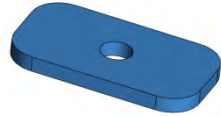
1-800-779-8222



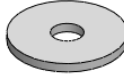

If you would like to find out more information on Dee Zee's products, please feel free to visit our website at:

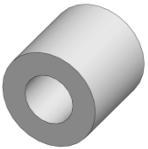
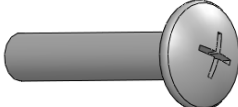

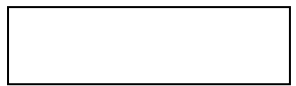
WWW.DEEZEE.COM

DZ 95054, DZ 95054B, DZ 95054W, DZ 95054WB Cab Rack

<div style="border: 1px solid black; padding: 5px; display: inline-block;">A</div> Cab Rack  Various X1	<div style="border: 1px solid black; padding: 5px; display: inline-block;">B</div> Tie Down  TD95P X2
---	---

<div style="border: 1px solid black; padding: 5px; display: inline-block;">C</div> Rubber Mounting Block  SR RUBMNT1 X2	<div style="border: 1px solid black; padding: 5px; display: inline-block;">D</div> 3/8" bolt  PN 620 X2	<div style="border: 1px solid black; padding: 5px; display: inline-block;">E</div> 3/8" Threaded Plate  PN 407 X2
--	---	---

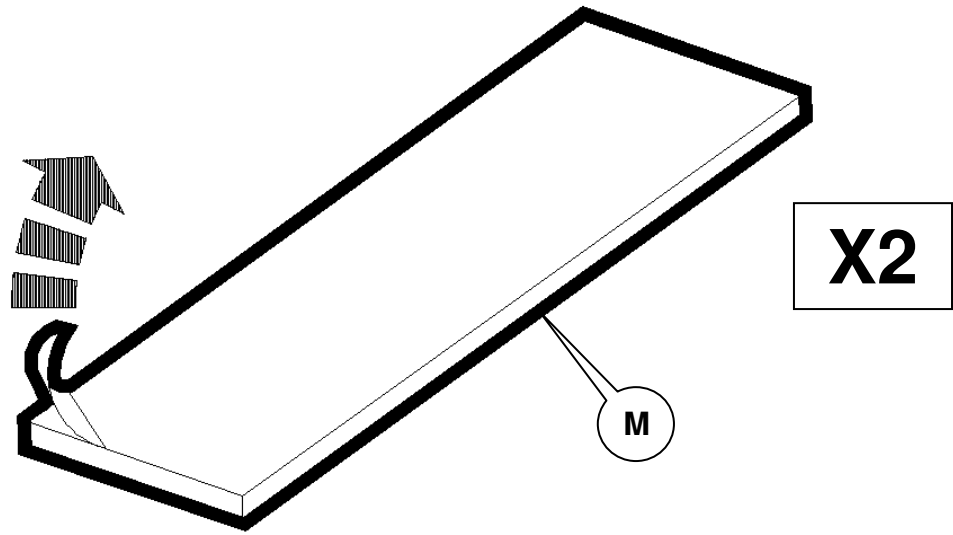
<div style="border: 1px solid black; padding: 5px; display: inline-block;">F</div> Knob  WQ500-KNOB X2	<div style="border: 1px solid black; padding: 5px; display: inline-block;">G</div> Square Head Bolt  PN 524 X2	<div style="border: 1px solid black; padding: 5px; display: inline-block;">H</div> Fender Washer  PN 265 X2	<div style="border: 1px solid black; padding: 5px; display: inline-block;">I</div> 3/8" Washer  PN 113 X2
--	--	--	---

<div style="border: 1px solid black; padding: 5px; display: inline-block;">J</div> Spacer  PN 703 X2	<div style="border: 1px solid black; padding: 5px; display: inline-block;">K</div> 1/4" Phillips Head Screw  PN 485 X2	<div style="border: 1px solid black; padding: 5px; display: inline-block;">L</div> 1/4" Locknut  PN 341 X2	<div style="border: 1px solid black; padding: 5px; display: inline-block;">M</div> Adhesive pad  FGT 12 X2
--	--	---	--

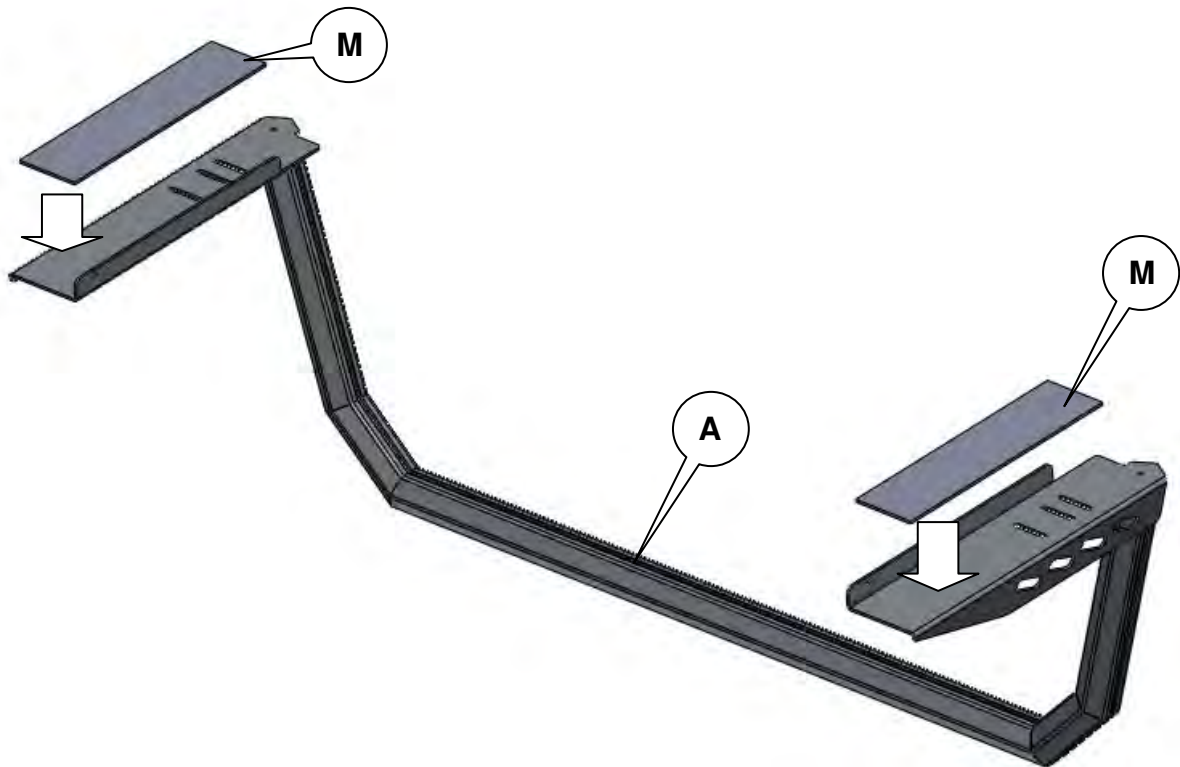
Tools Required

Allen Wrench 4mm 5mm 7/32"		Drill 1/4" Drill Bit		Phillips Head Screwdriver	
-------------------------------------	---	-------------------------	--	---------------------------	---

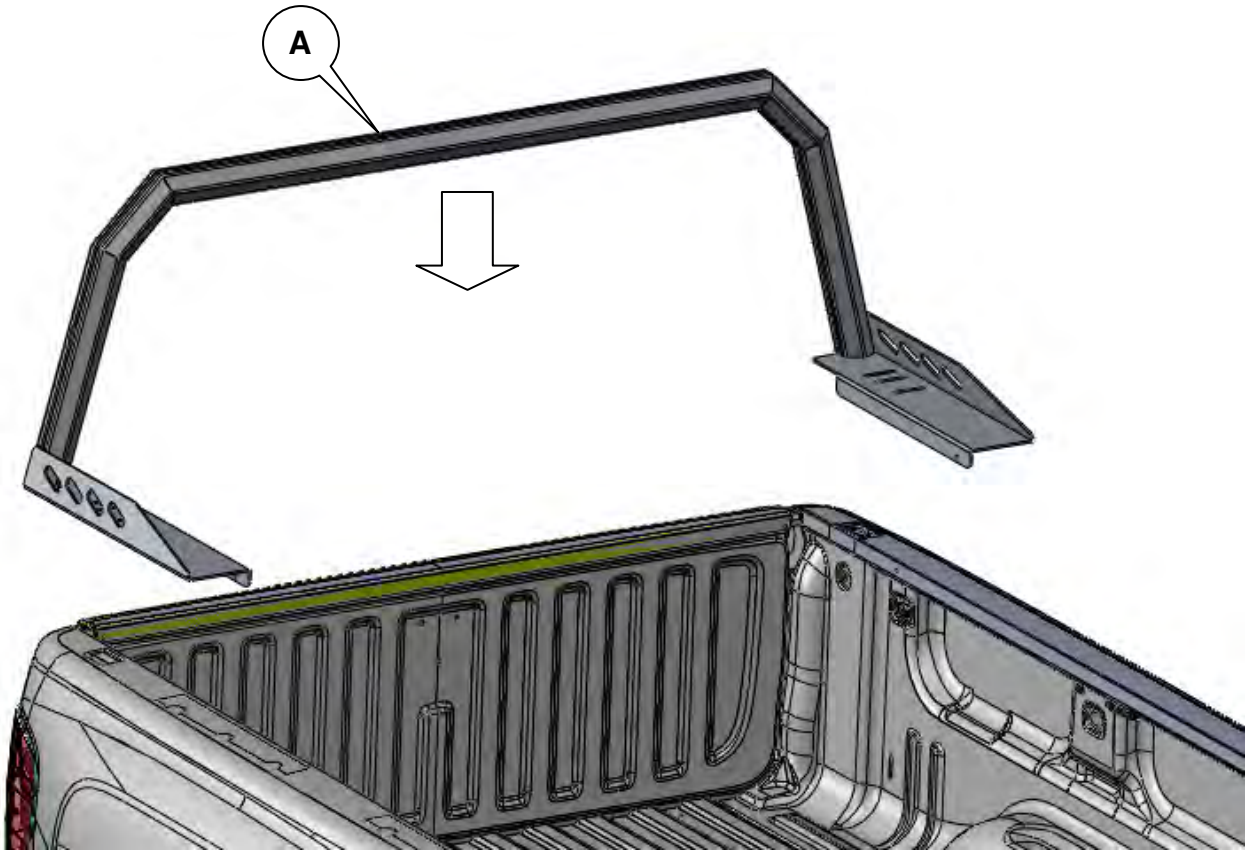
1



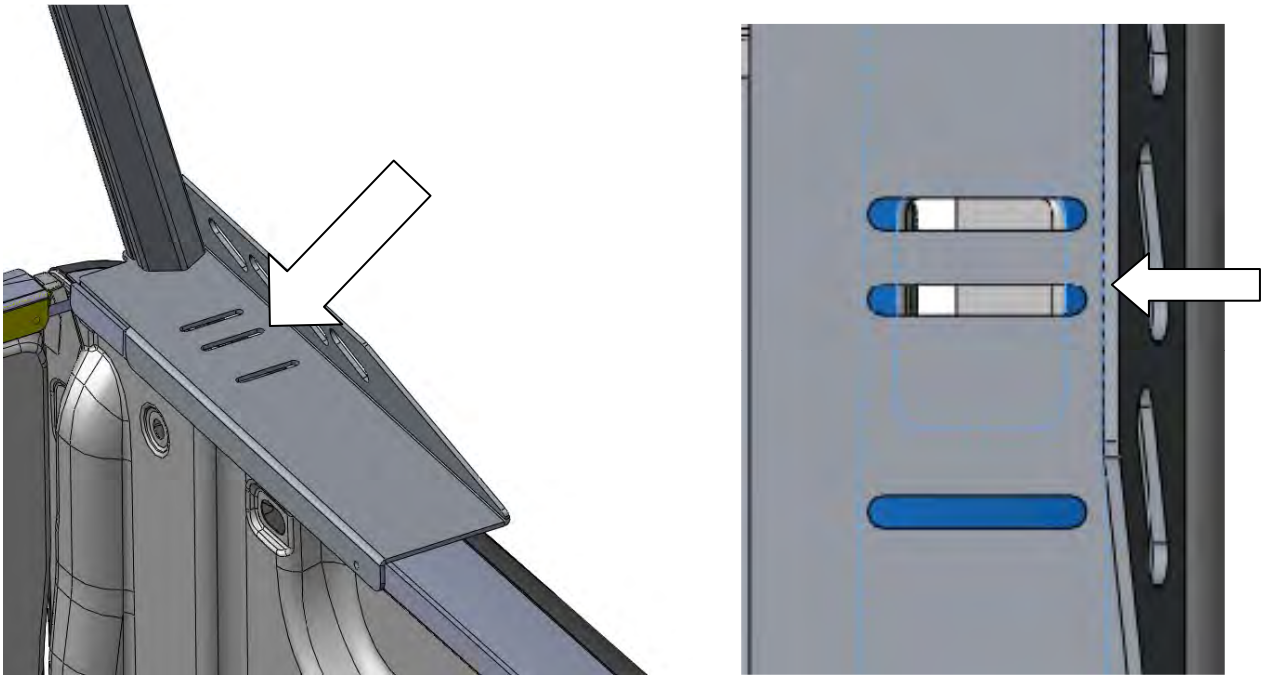
2



3

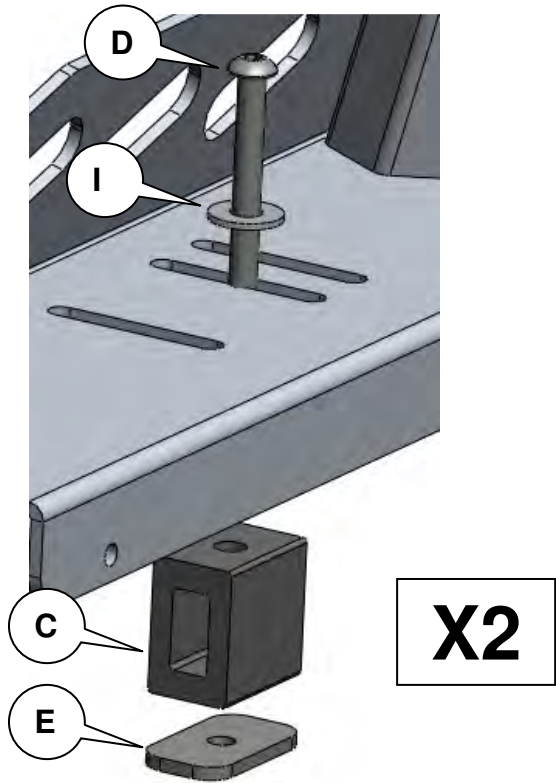


4

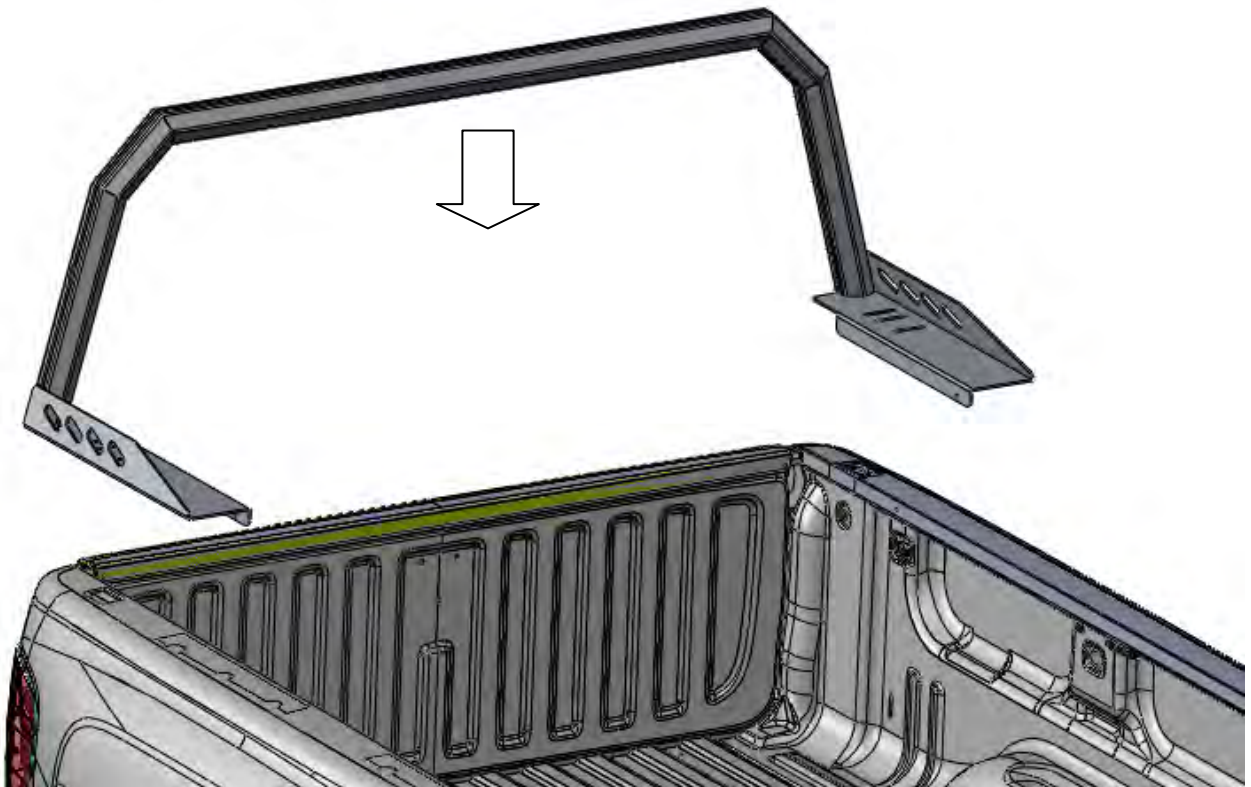


Note: If your Cab Rack does not line up with a stake pocket hole, refer to end of installation Instruction

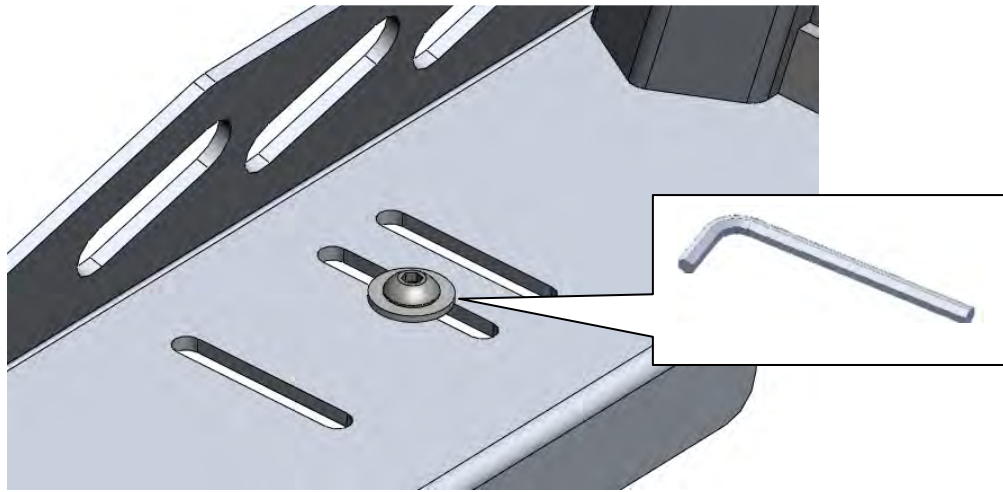
5



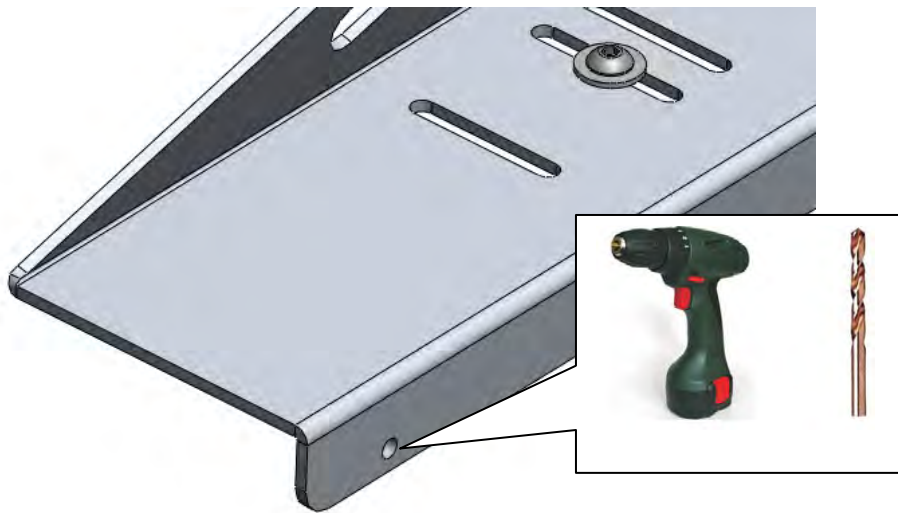
6



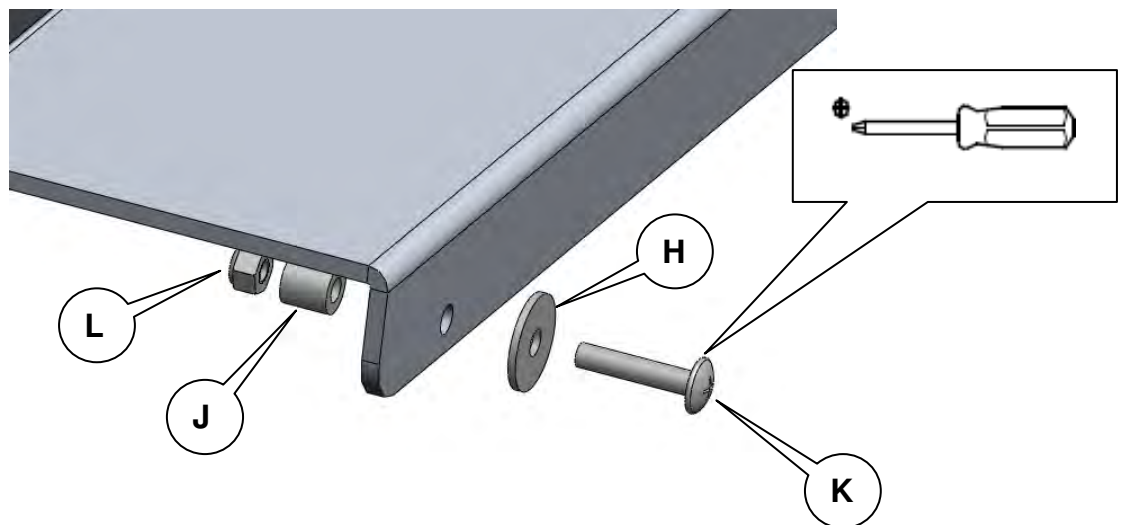
7



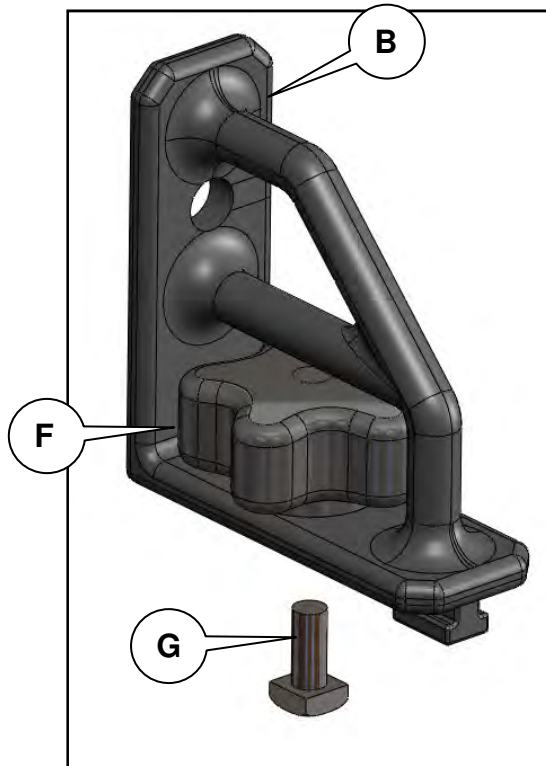
8



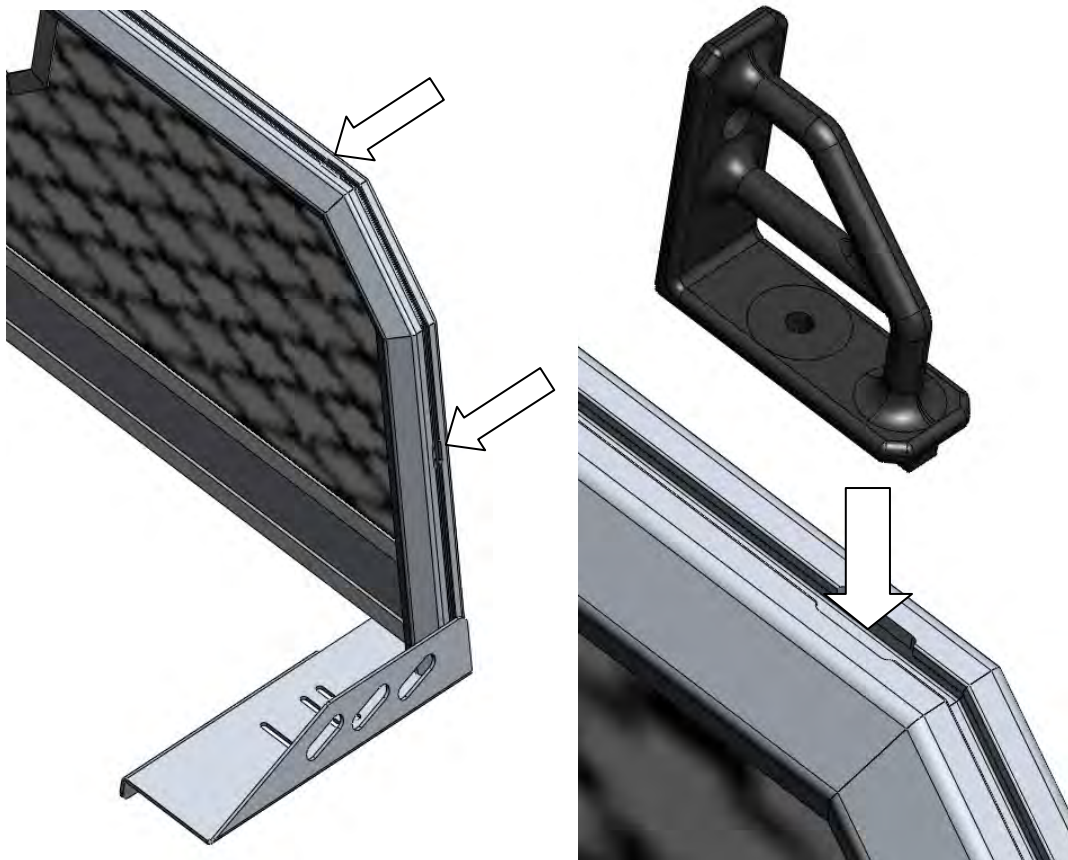
9



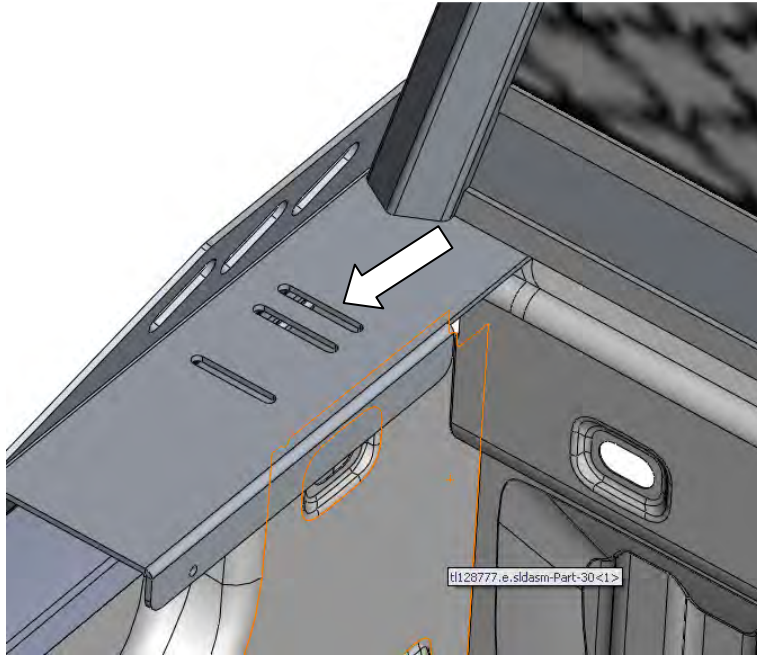
10



11



Stake Pocket mislocation



Should your Cab Rack not have any of the available slots line up with the stake pocket holes, or the available slots do not allow the rubber mounting block to insert properly, omit the rubber mounting block from Step 3 and try again. You may also need to drill a hole into the Cab Rack to properly line up with the stake pocket hole.