



**Before returning this product
to the store of purchase**

Contact Dee Zee if you experience the following problems:

- Missing Parts
- Installation Problems/Questions
- Warranty Questions

1.800.779.2102

Hours of operation: 8am - 5pm CST, Mon-Friday

Review complete warranty policy and register your product at:

www.deezee.com



Dee Zee Van Bulkhead Installation Instructions

Congratulations on your purchase of a quality Dee Zee product. Dee Zee is recognized as having the highest quality accessories on the market today. We have earned this reputation by offering our customers a product they can be proud to place on their vehicles.

Note: Please take time to read all of the instructions before beginning this installation.

WARNING!

This product can reduce the driver's ability to clearly see roadways, vehicular or pedestrian traffic and other objects through the rear and side windows of the vehicle, which can cause an accident. Extra precautions should be taken when driving a vehicle with this product. Make all adjustments necessary to ensure maximum visibility, including but not limited to, changing mirror and seating positions. State and local laws may prohibit obstruction of windows in a moving vehicle.

WARNING!

These instructions are to be followed using the parts and fasteners supplied for proper installation. Any modifications or improper installation of this product will create a hazardous condition that can cause property damage, serious personal injury or death.

NOTICE

Any modification or unintended use of this product shall immediately void all manufacturers' warranties. Manufacturer disclaims all liability for injuries to persons or property resulting from any modification to, or unintended use of this product.

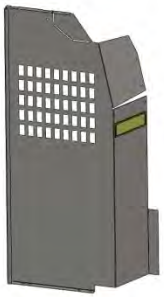


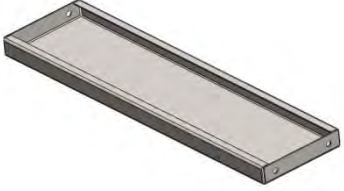
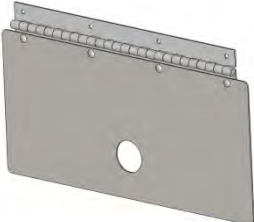





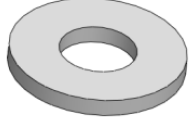
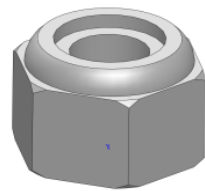

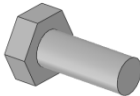


If you should happen to have any questions with this product or you have an installation question, please feel free to call us at:





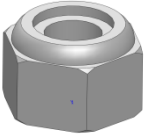
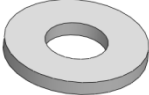

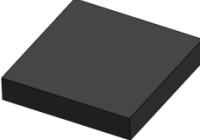
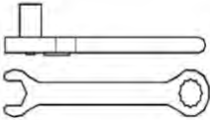
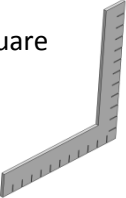


1-800-779-8222

If you would like to find out more information on Dee Zee's products, please feel free to visit our website at:

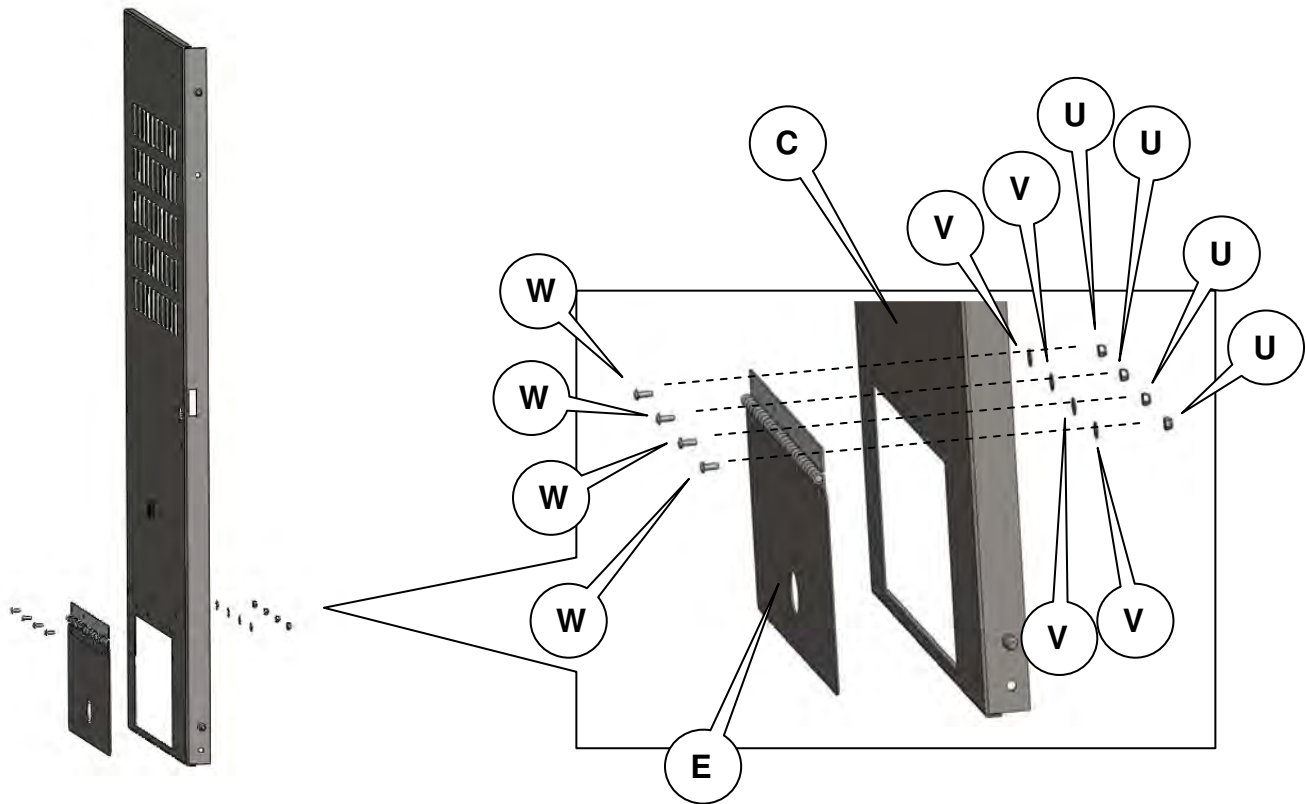
WWW.DEEZEE.COM

VBH001 Fixed Door Van Bulkhead

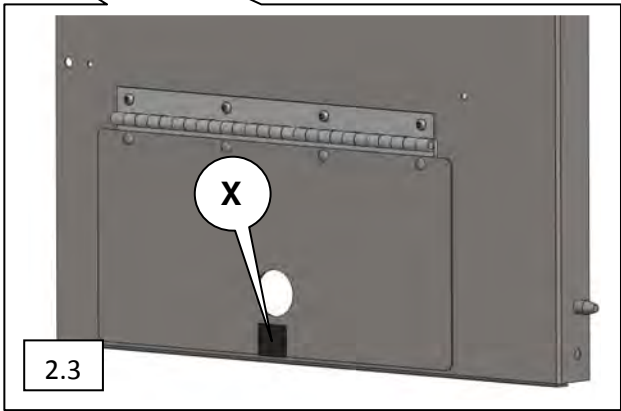
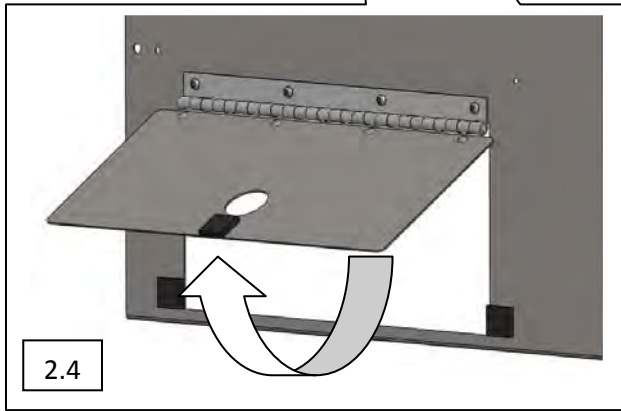
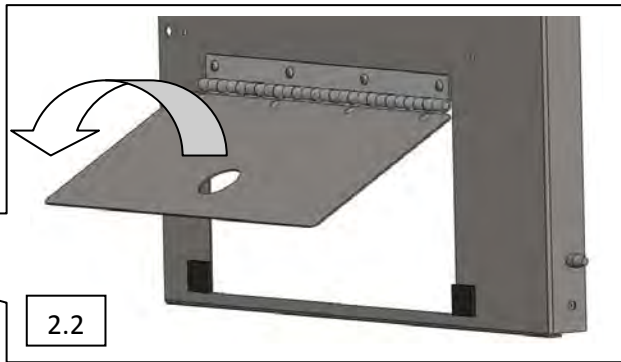
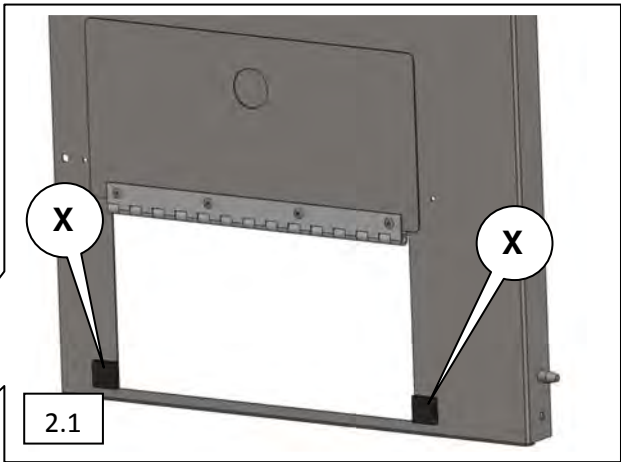
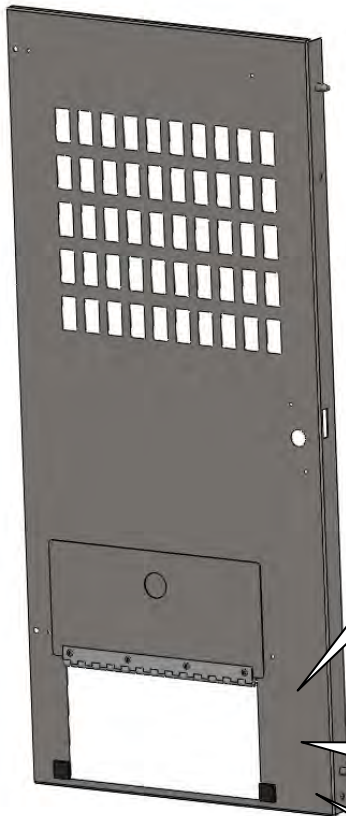
<p>A Passenger Side Panel</p>  <p>VBH001001P X1</p>	<p>B Driver Side Panel</p>  <p>VBH001002P X1</p>	<p>C Fixed Door</p>  <p>VBH001003WELDP X1</p>	
<p>D Door Header Panel</p>  <p>VBH001004P X1</p>	<p>E Doggie Door</p>  <p>VBH001006ASSMP X1</p>	<p>F Top Bracket</p>  <p>B 1751P X4</p>	
<p>G Driver Side Bracket</p>  <p>B 1752P X2</p>	<p>H Passenger Side Bracket</p>  <p>B 1753P X1</p>	<p>I B-pillar Bracket</p>  <p>B 1754P X1</p>	
<p>J Door Bracket</p>  <p>B 1755P X2</p>	<p>K 1/4" Washer</p>  <p>PN 72 X58</p>	<p>L 1/4" Nylock Nut</p>  <p>PN 341 X27</p>	
<p>M 1/4" Lockwasher</p>  <p>PN 919 X6</p>	<p>N 1/4" X 5/8" Bolt</p>  <p>PN 920 X22</p>	<p>O 1/4" X 1 1/4" Bolt</p>  <p>PN 921 X6</p>	<p>P 1/4" X 3/4" Self Tapping Screw</p>  <p>PN 922 X5</p>

<p>Q Blind Crimp Fastener</p>  <p>PN 925 X6</p>	<p>R Spacer</p>  <p>PN 926 X4</p>	<p>S Installation Tool</p>  <p>PN 927 X1</p>	<p>T Adhesive Backed Foam</p>  <p>PN 928 X2</p>
<p>U 10-24 Nylock Nut</p>  <p>PN 930 X4</p>	<p>V #10 Washer</p>  <p>PN 931 X4</p>	<p>W 10-24 X 1/2" Button Head</p>  <p>PN 766 X4</p>	<p>X Dual-Lock</p>  <p>TAPE-23 X3</p>
<p>Tools Required</p> <p>Ratchet / Wrench 7/16" 3/8"</p>  <p>Square</p>  <p>Pencil or Marker</p>  <p>Drill 1/8" Drill Bit 5/16" Drill Bit 13/32" Drill</p> 			

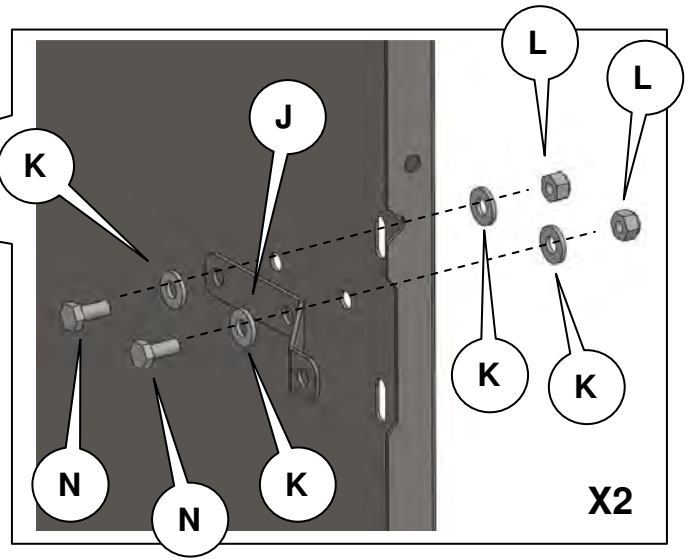
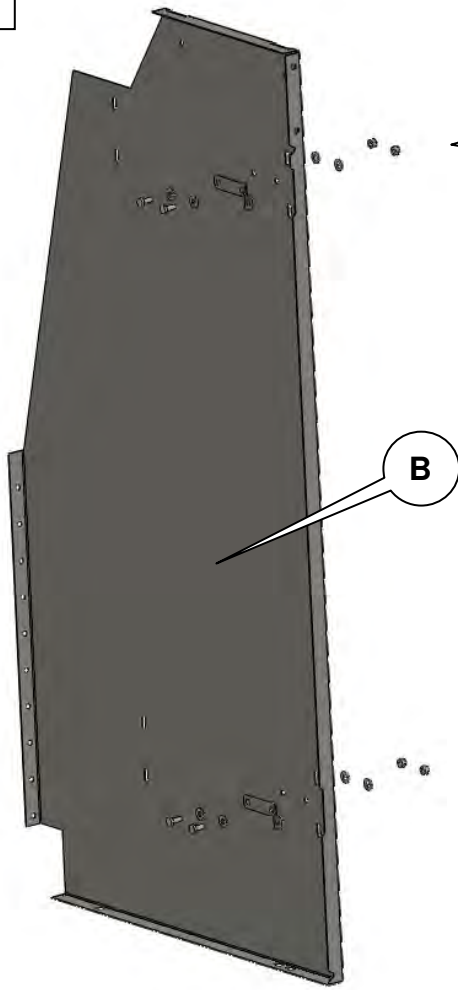
1



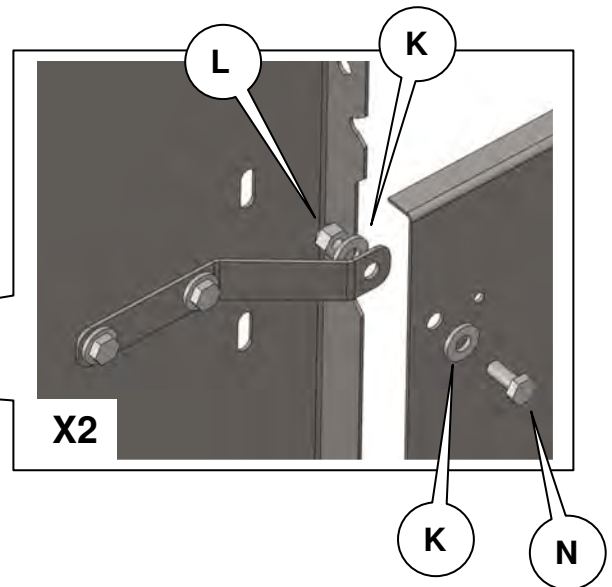
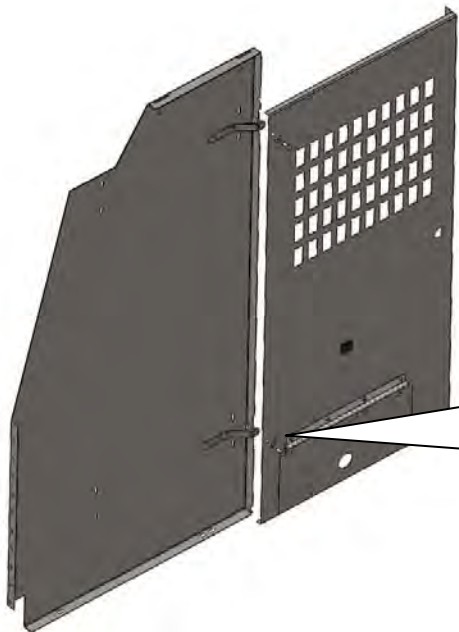
2



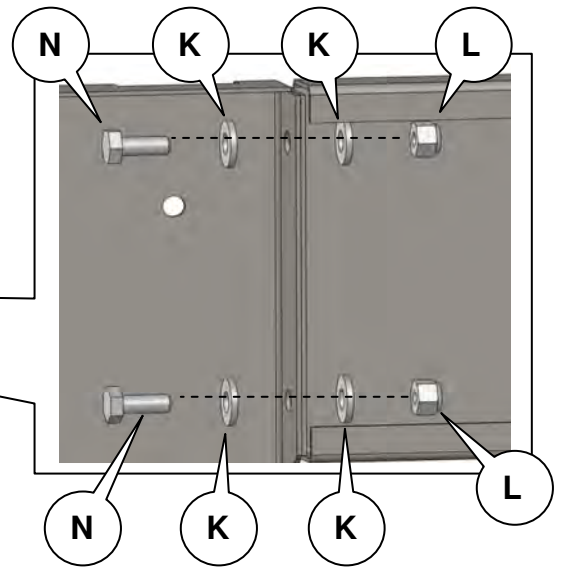
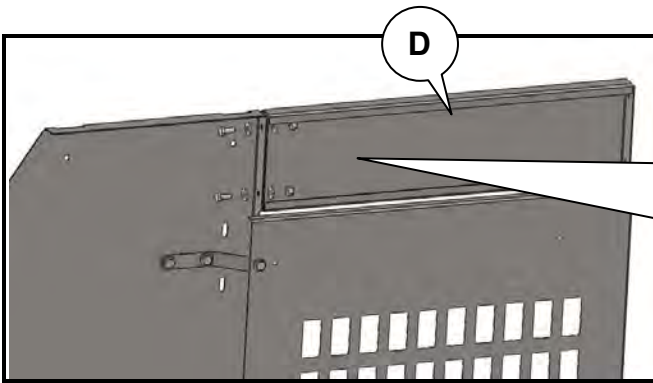
3



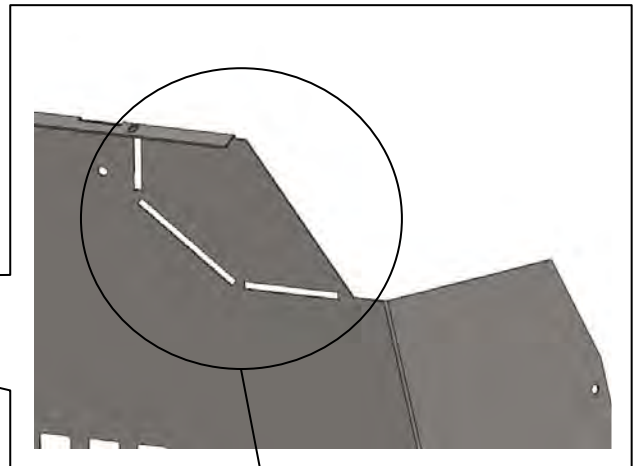
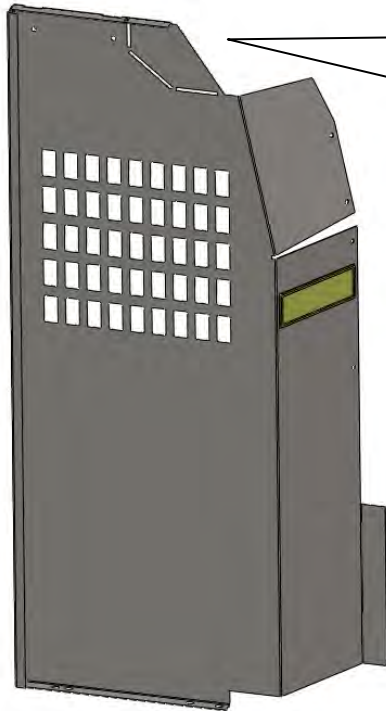
4



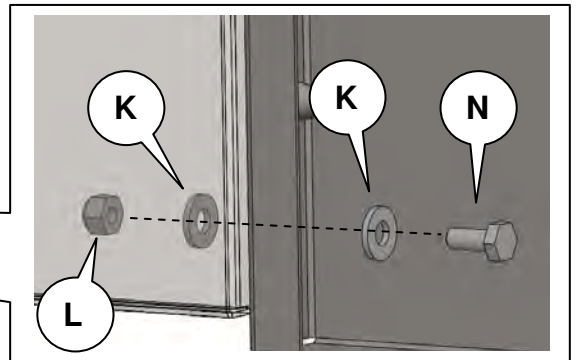
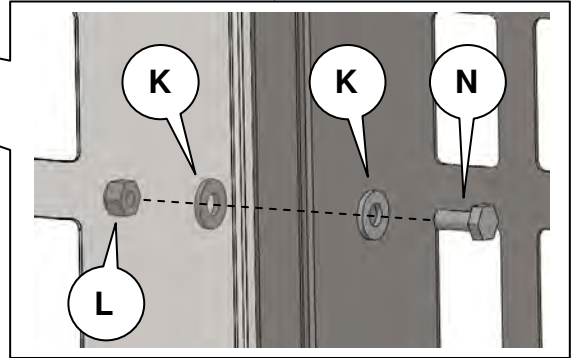
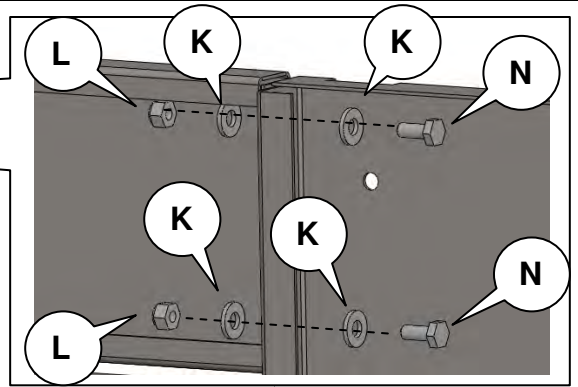
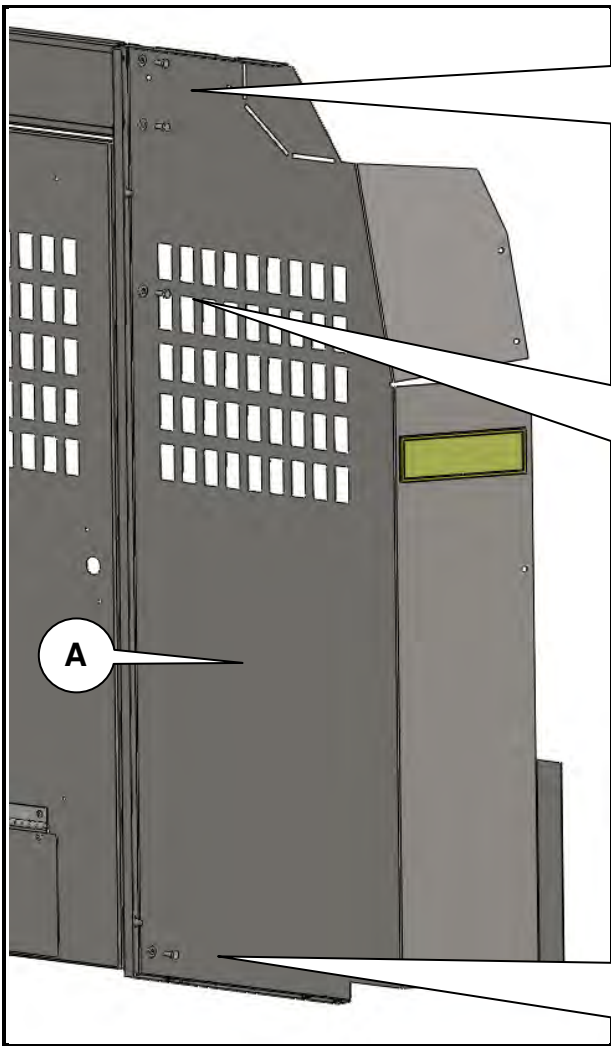
5



6



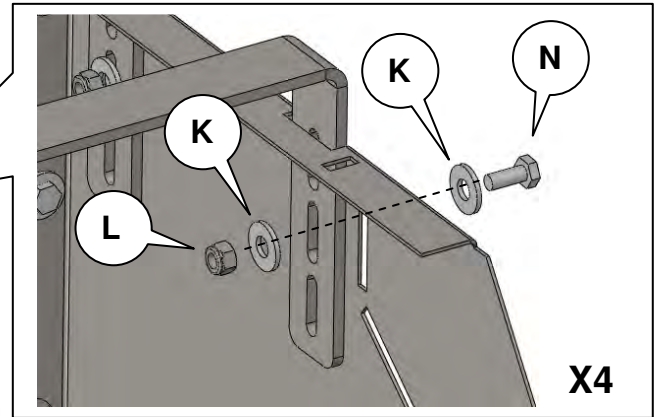
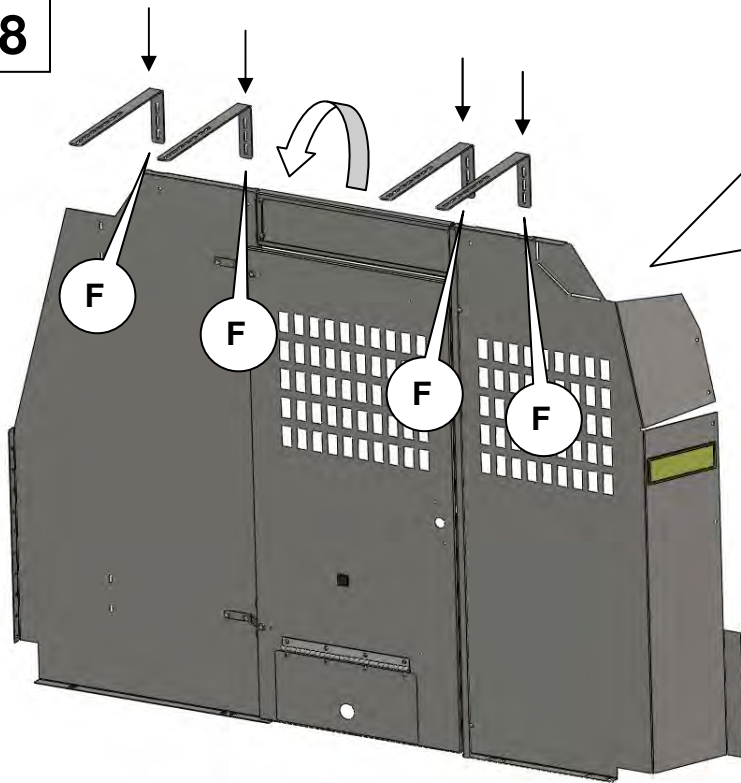
NOTE: Remove notched corner if Bulkhead is being installed in a GM van with a SLIDING SIDE DOOR. This area is needed for the upper sliding door arm



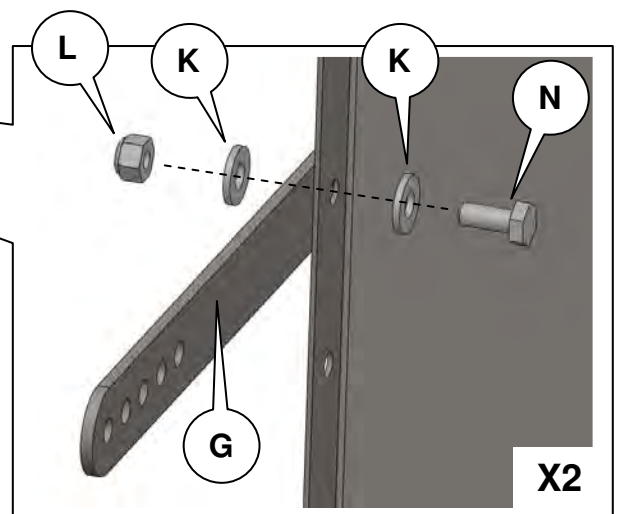
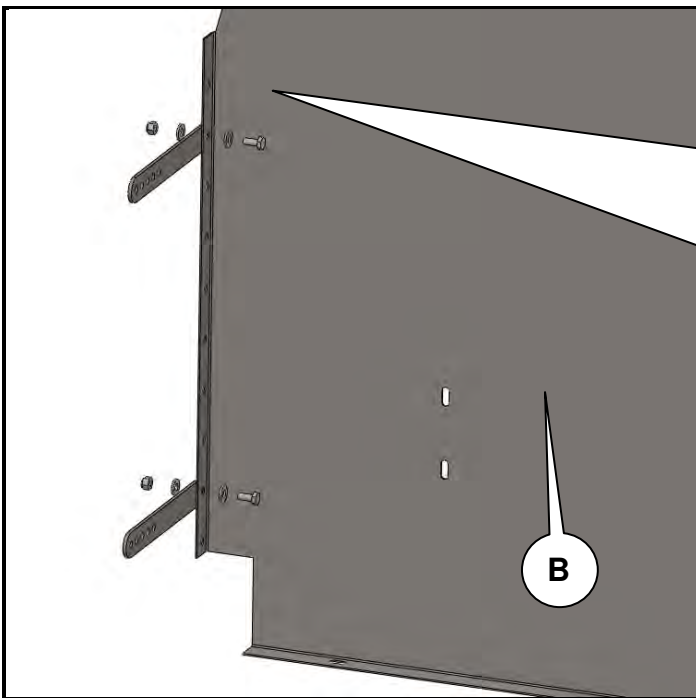
7



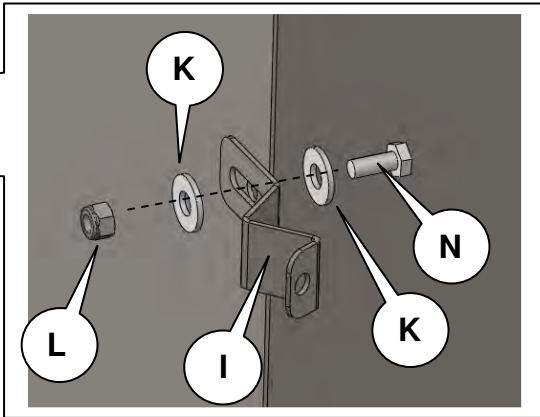
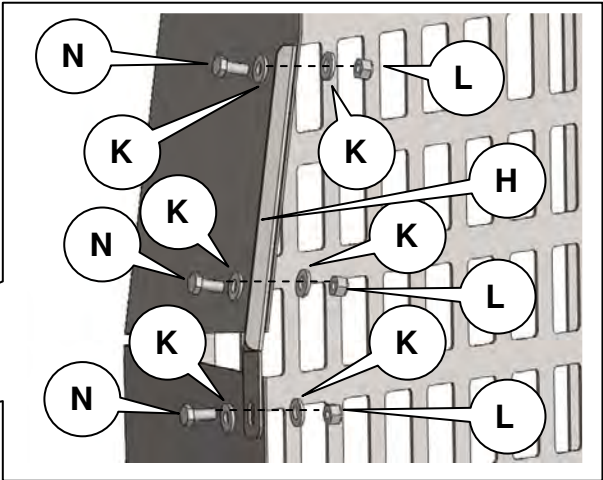
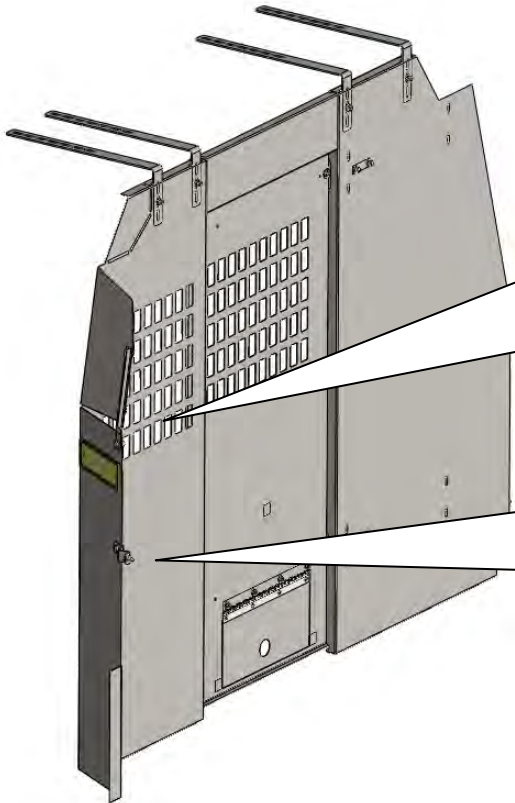
8



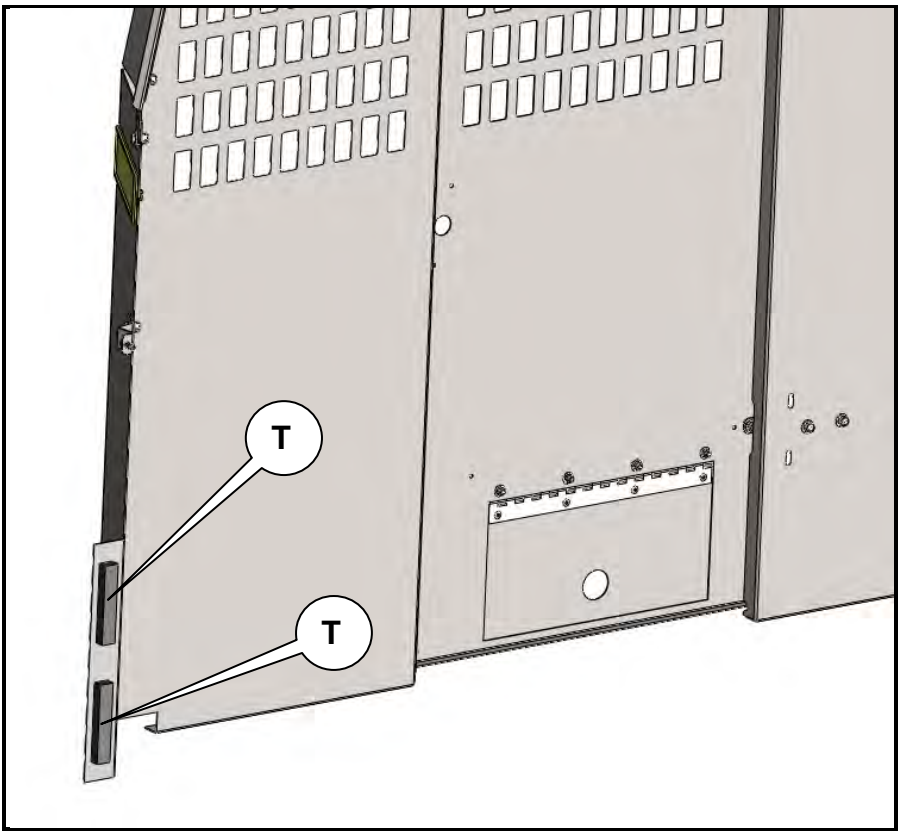
9



10



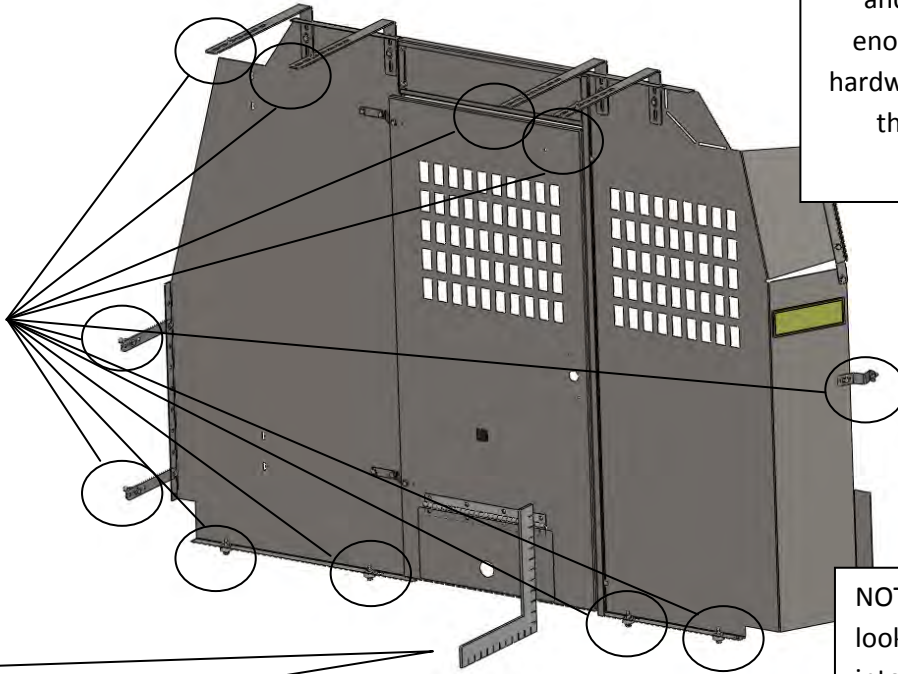
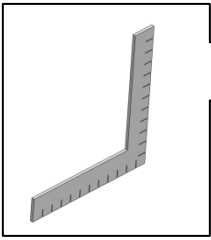
11



12

WARNING

Ensure ample space in roof ribs and sidewall ribs allowing enough space for mounting hardware so as not to puncture the outside roof or wall



NOTE: If van has roof liner, look for plastic rivets installed into ceiling rib, using an awl, test for rib location and mark where the Roof Mount Brackets align with the roof rib

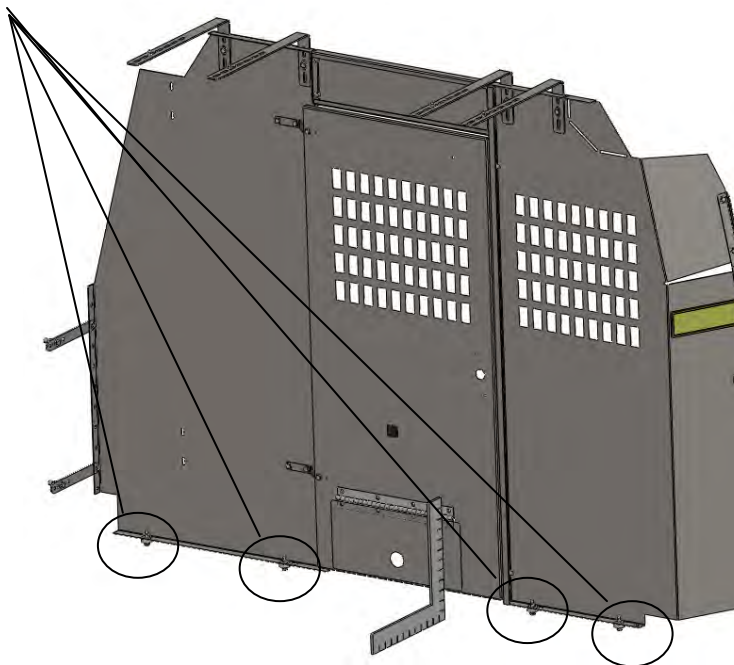
13

WARNING

Prior to drilling, so as not to cut or puncture fuel tanks, fuel lines, brake lines, electric wires, etc., check behind or underneath drilling and mounting locations



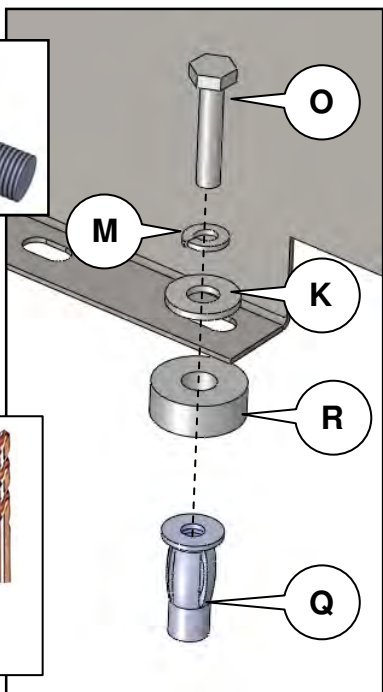
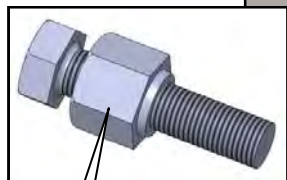
5/16"



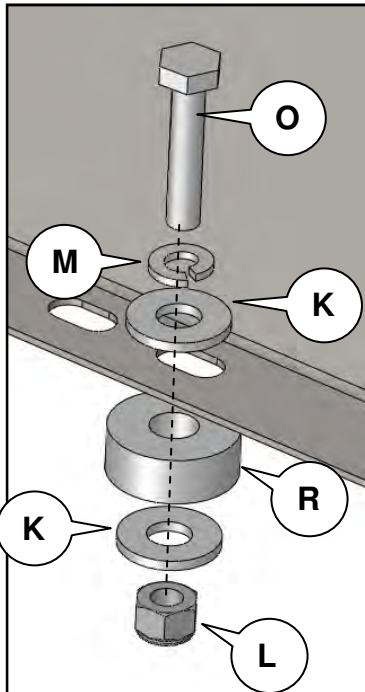
WARNING

All floor mounting bolts near the fuel tank area should be installed from the underside of the vehicle, to guard against the fuel tank being punctured in the event of a collision. This would mean not using Crimp Nuts in this area. Holes in this area should be 5/16"

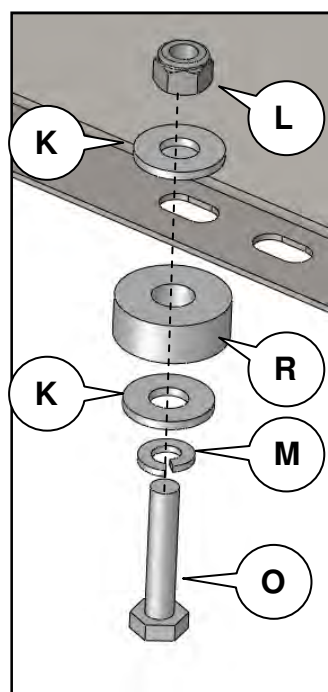
14



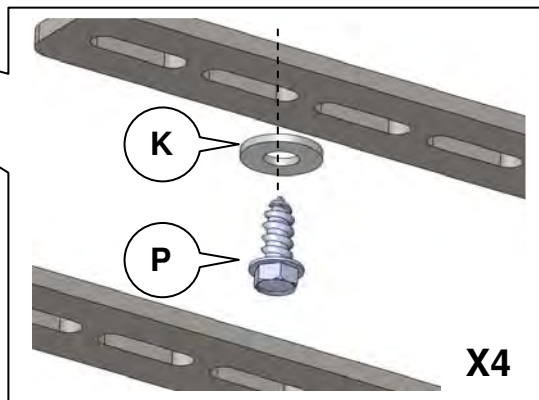
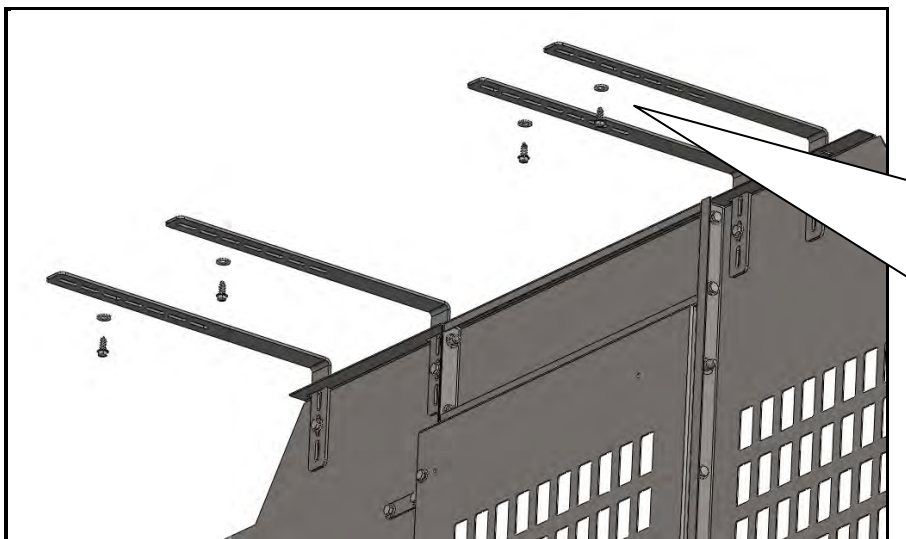
OR



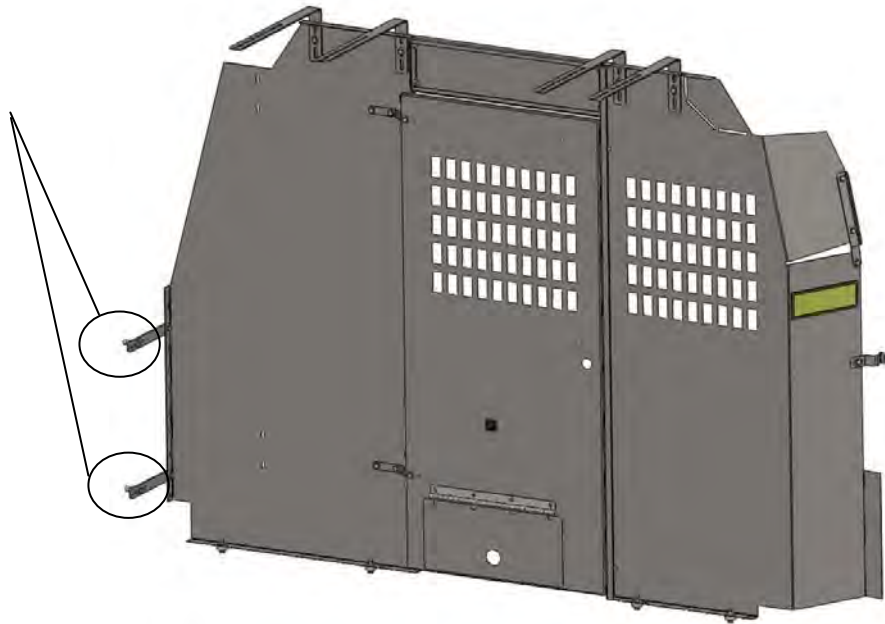
OR



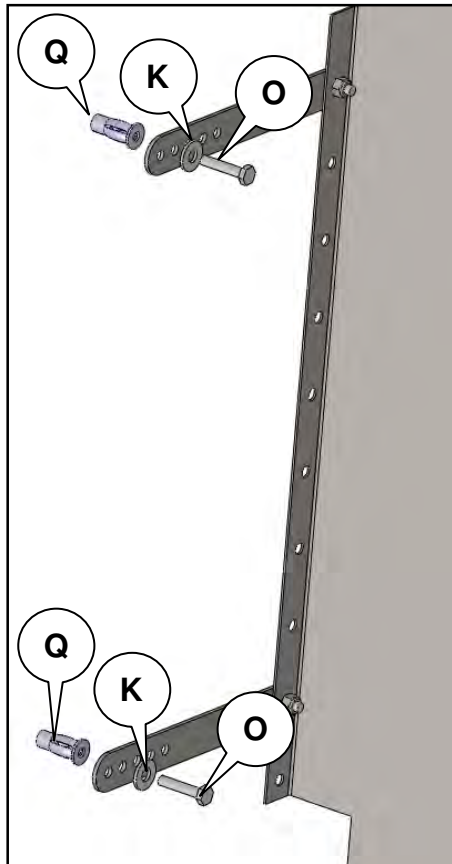
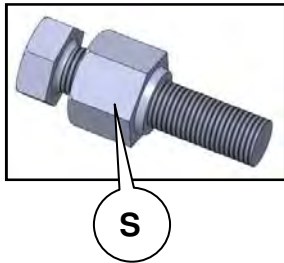
15



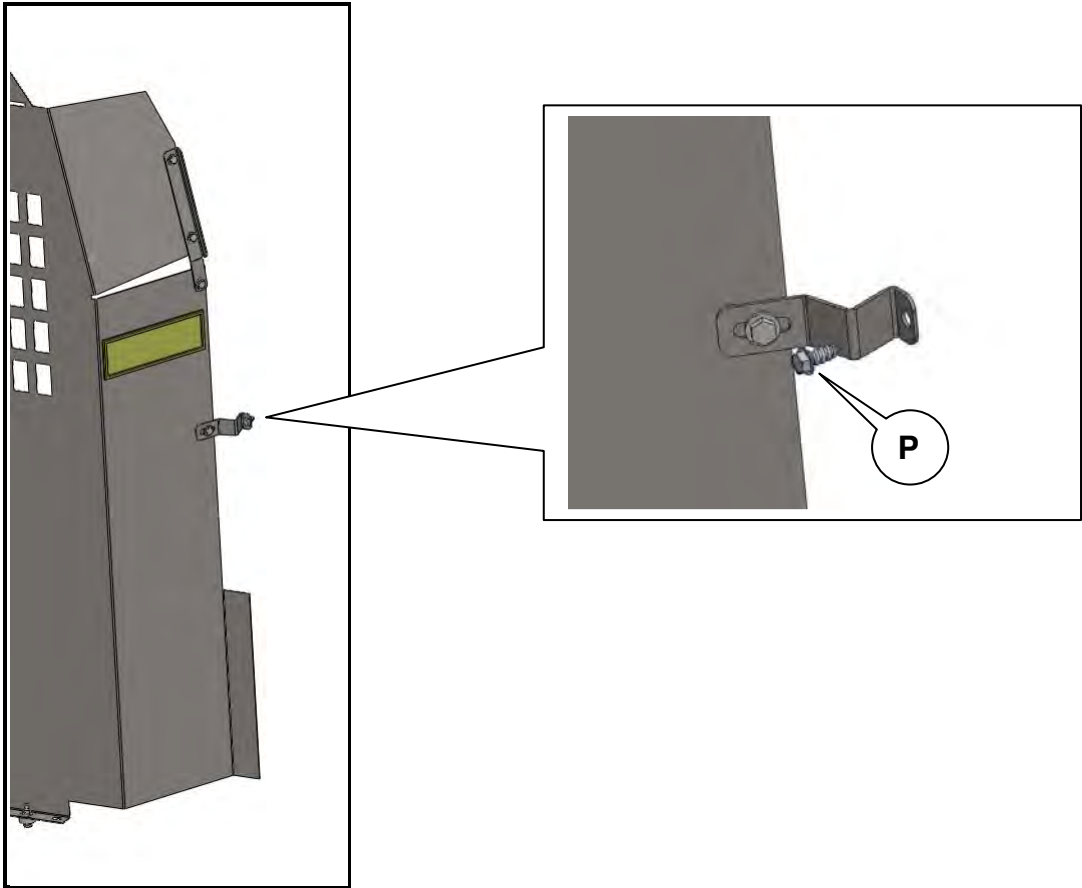
16



17



18



Installation tool "S" operating instructions

