

**SILVERADO/ SIERRA**  
**BOX BOARDS**  
**Running Board Applications**

Installation Instructions  
Read Carefully Before Installing

Section A

Bracket installation

1. Mark the bottom of the first cross-member, use vertical bracket as a guide. See Figure A. Drill an 11/32" hole at this location.
2. Bolt the vertical bracket to the pickup box cross-member through the hole or slot in the top of the bracket with 5/16" bolt and nut leave finger tight.
3. Bolt the long angle bracket to the vertical bracket, on the cross-member, through the center slot in the angle bracket and the slot in the center of the vertical bracket with 5/16" bolt and nut leave finger tight see figure A.
4. Drill an 11/32" hole through the bottom edge of the truck box 7/8" up from the edge and in the center of the angle bracket, bolt with 1/4" black carriage bolt and 1/4" nut.
5. The upper end of the angle bracket should be fastened inside the truck bed mount. Drill an 11/32" hole in the mount using the slot in the end of the bracket for a guide bolt with 5/16" bolt and nut.
6. Tighten all nuts and bolts.

Section B

Running board setup. \*

\* If you are installing Diamond boards go to section E.

1. Install one square head bolt in each track for each bracket on the vehicle.
2. Bend the stone guard to fit the wheel well keeping the tape side up.
3. Install a stone guard on one end of the board using the 3/8" x 1" self-threading bolts. Thread the bolts through the holes and into the track, the bolts will cut their own threads in the track, do not over tighten these bolts. Install the 5 1/4" aluminum angle to the board with two square head bolts and nuts, mount the black plastic end cap to this angle with two 1/4" x 3/4" black bolts. For best appearance make sure end cap is flush with end of board.
4. Bolt the horizontal channels to the bottom of boards using the bolts already in the track and 1/4" nuts, do not tighten at this time leave loose enough to slide the channel.

## Section C

Installing the boards to the vehicle.

1. If the vehicle has flares check to see if there is enough clearance between the flare and the pinch weld, the board will require 1/8" clearance, trim with a utility knife if necessary.
2. Position the board on the vehicle with the stone guard tight to the wheel well, use locking pliers to hold in place by clamping the channel to the vertical bracket.
3. Bolt the channels to the vertical brackets with 5/16" x 3/4" bolts and 5/16" nuts do not tighten these bolts at this time leave finger tight.
4. Set the board level with the vehicle and make sure that the stone guard is tight to the wheel well, also check the board to see if it is in line with the cab running boards, now tighten the bolts. First tighten the bolts holding the channels to the board then the bolts holding the channels to the vertical brackets.

## Section D

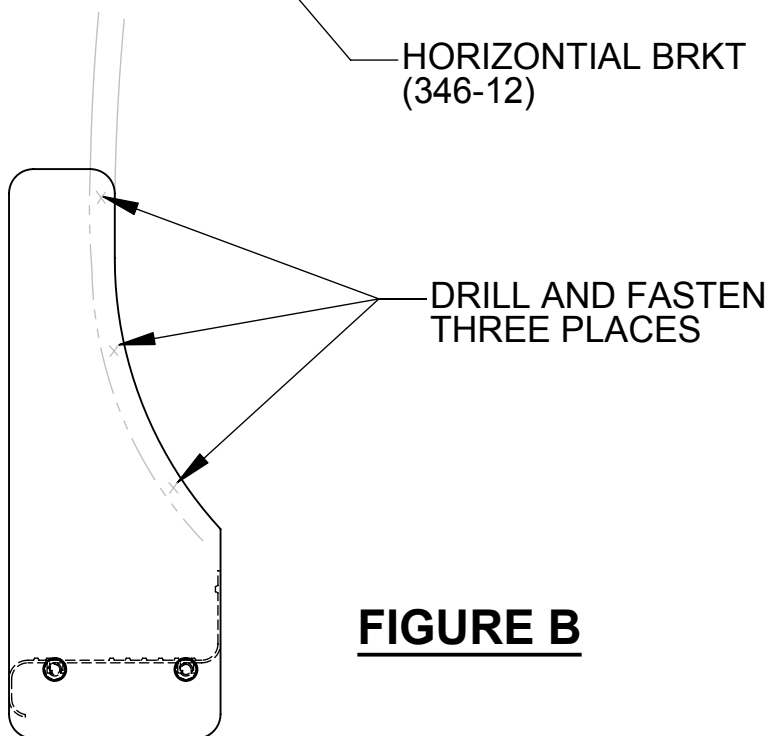
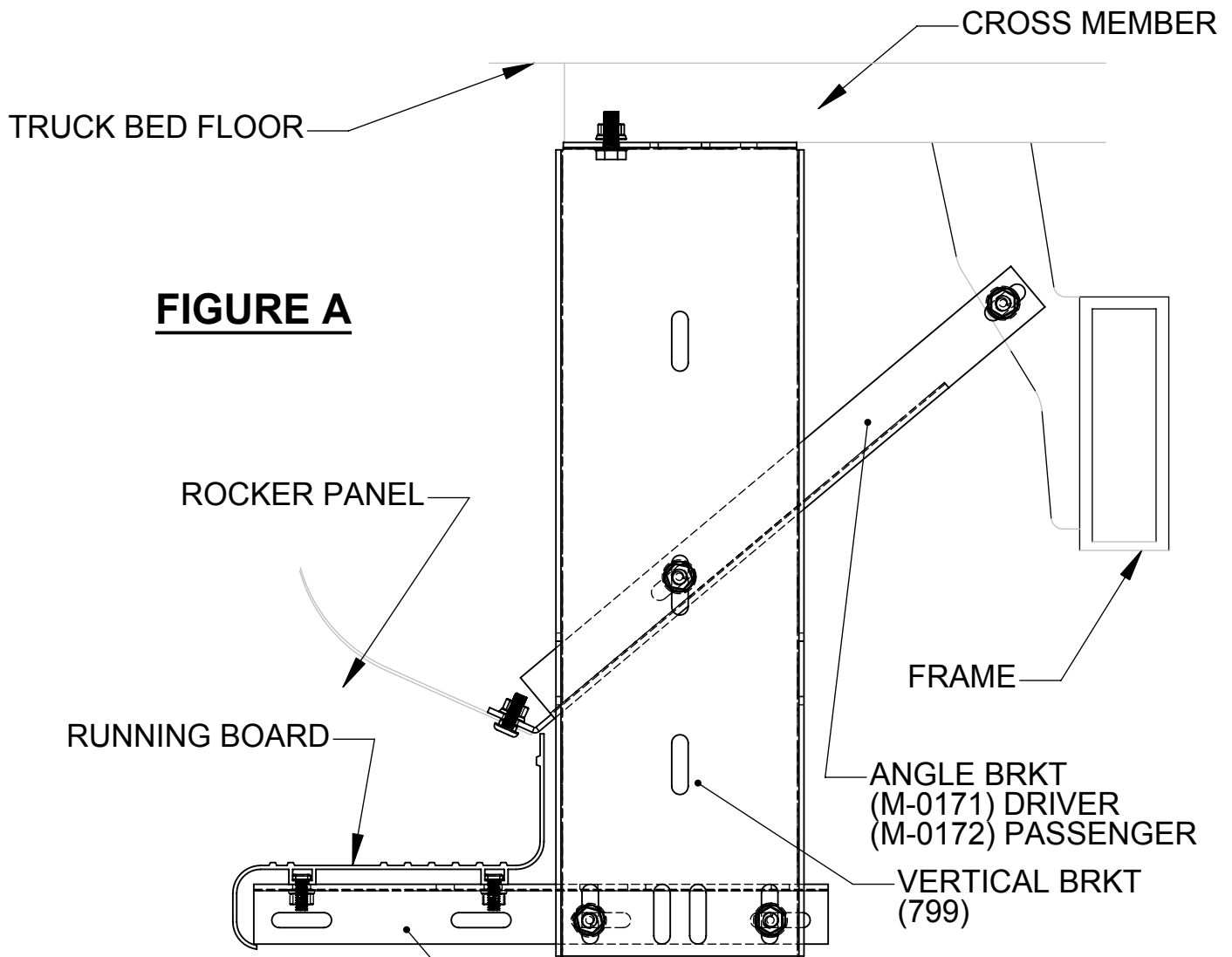
Securing the stone guard to the wheel wells.

1. Starting at the bottom drill a 1/8" hole three places through the stone guard and the wheel well. See figure B.
2. Drill and secure each location with a # 14 sheet metal screw before drilling next location.

## Section E

Diamond running boards.

1. The brackets are installed the same way for diamond boards as they are for the extruded, see section A.
2. Bend the stone guard to fit the wheel well keeping the diamond side up.
3. The stone guards are mounted to the end of the board that has the diamonds on the inside of the welded end cap, they are fastened to the running board with 1/4" carriage bolts.
4. Install the channels to the vertical brackets first then position the board the same way you do for the extruded boards, see section C.
5. Drill up from the bottom through the holes in the channels then bolt through from the top down with carriage bolts.
6. Tighten all the fasteners.



| <b>EX-0136-07</b> |                        |   |
|-------------------|------------------------|---|
| DEM-29            | 38.5" RUNNING BOARD    | 2 |
| EXW-1065D         | STONE GUARD            | 1 |
| EXW-1065P         | STONE GUARD            | 1 |
| EX-401D           | END CAP                | 1 |
| EX-401P           | END CAP                | 1 |
| 318-A             | END CAP MOUNTING ANGLE | 2 |
| 799               | VERTICAL BRACKET       | 2 |
| M-0171            | ANGLE BRACKET          | 1 |
| M-0172            | ANGLE BRACKET          | 1 |
| 346-12            | CHANNEL                | 2 |
| P-0053            | BOLT PACK BRACKETS     | 1 |
| 1097              | BOLT PACK STONE GUARDS | 1 |
| Z-BOLT            | BOLT PACK END CAPS     | 1 |
| 10234             | INSTRUCTION SHEET      | 1 |

| <b>0136-07</b> |                        |   |
|----------------|------------------------|---|
| 330            | 38.5" RUNNING BOARD    | 2 |
| W-1065D        | STONE GUARD            | 1 |
| W-1065P        | STONE GUARD            | 1 |
| 799            | VERTICAL BRACKET       | 2 |
| M-0171         | ANGLE BRACKET          | 1 |
| M-0172         | ANGLE BRACKET          | 1 |
| 648            | CHANNEL                | 2 |
| P-0054         | BOLT PACK BRACKETS     | 1 |
| 1102           | BOLT PACK STONE GUARDS | 1 |
| 10234          | INSTRUCTION SHEET      | 1 |

| <b>EX-0122-07</b> |                        |   |
|-------------------|------------------------|---|
| DEM-29            | 24.5" RUNNING BOARD    | 2 |
| EXW-1065D         | STONE GUARD            | 1 |
| EXW-1065P         | STONE GUARD            | 1 |
| EX-401D           | END CAP                | 1 |
| EX-401P           | END CAP                | 1 |
| 318-A             | END CAP MOUNTING ANGLE | 2 |
| 799               | VERTICAL BRACKET       | 2 |
| M-0171            | ANGLE BRACKET          | 1 |
| M-0172            | ANGLE BRACKET          | 1 |
| 346-12            | CHANNEL                | 2 |
| P-0053            | BOLT PACK BRACKETS     | 1 |
| 1097              | BOLT PACK STONE GUARDS | 1 |
| Z-BOLT            | BOLT PACK END CAPS     | 1 |
| 10234             | INSTRUCTION SHEET      | 1 |

| <b>0122-07</b> |                        |   |
|----------------|------------------------|---|
| 330            | 24.5" RUNNING BOARD    | 2 |
| W-1065D        | STONE GUARD            | 1 |
| W-1065P        | STONE GUARD            | 1 |
| 799            | VERTICAL BRACKET       | 2 |
| M-0171         | ANGLE BRACKET          | 1 |
| M-0172         | ANGLE BRACKET          | 1 |
| 648            | CHANNEL                | 2 |
| P-0054         | BOLT PACK BRACKETS     | 1 |
| 1102           | BOLT PACK STONE GUARDS | 1 |
| 10234          | INSTRUCTION SHEET      | 1 |