

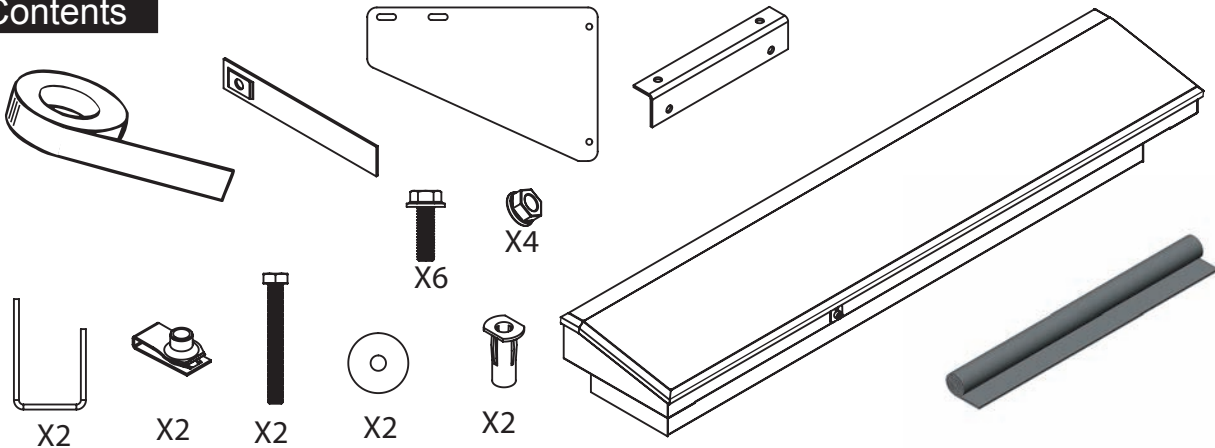


CBT TOOLBOX/TONNEAU

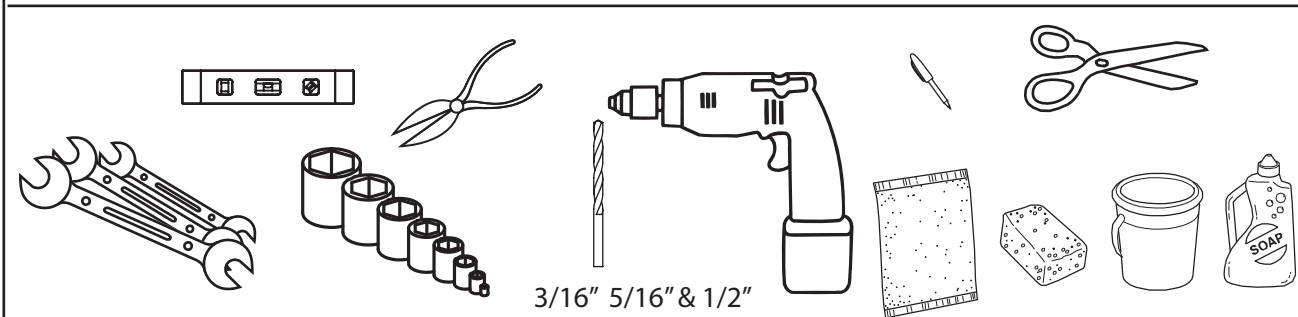
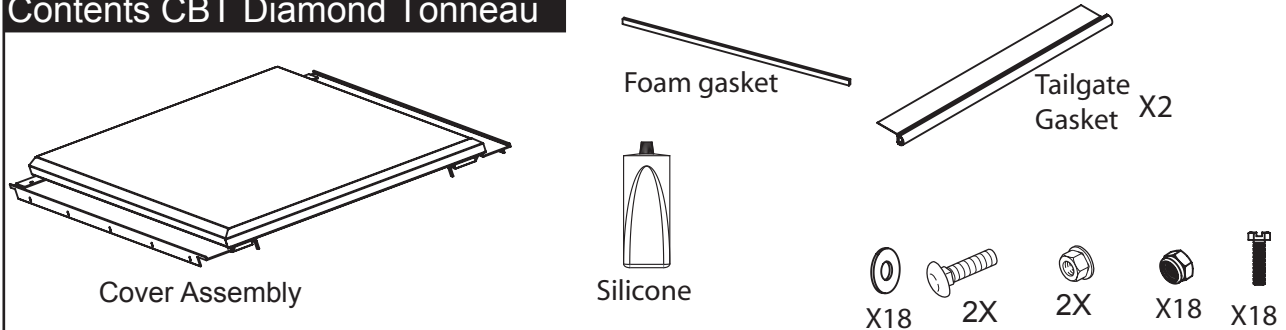
For proper installation and best possible fit, please read all instructions BEFORE you begin.

For technical assistance or to obtain missing parts, please call Customer Service at 1-800-328-5863.

Contents




Contents CBT Diamond Tonneau



Important



WARNING/CAUTION/NOTE

Please read this manual and follow its instructions carefully. To emphasize special information, the symbol  and the words WARNING, CAUTION and NOTE have special meanings. These special meanings apply except when laws or regulations require that the signal words be used with a different meaning.

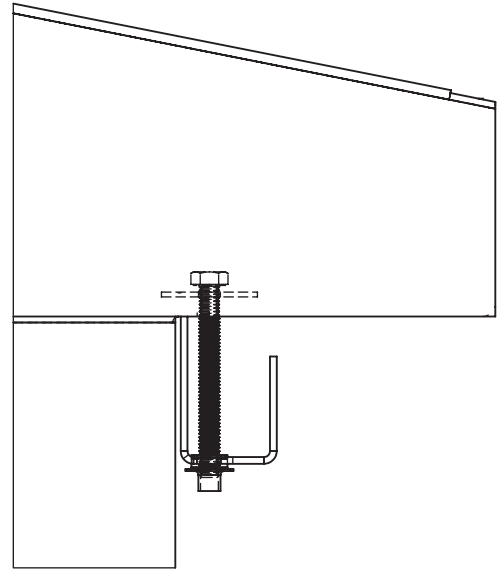
Preparation Before Installation

- Wash the upper rail surfaces of the truck bed.
- Be sure to completely dry the upper surfaces of your truck bed before installing your gasket/spacer.

Installation Steps

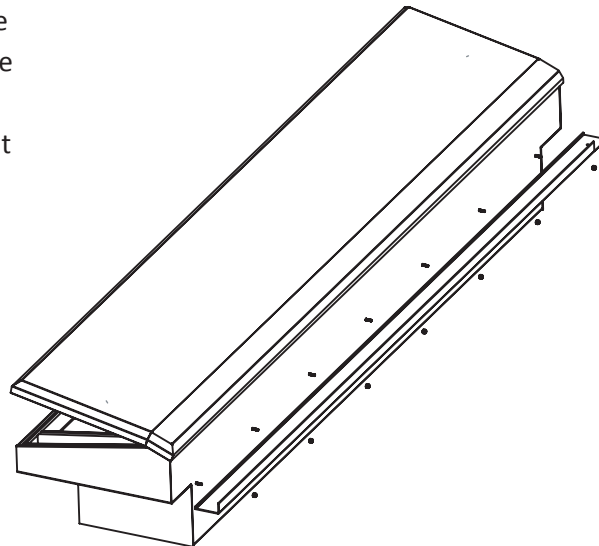
Rail systems in some trucks will need to be removed before installing toolboxes.

Assemble U-nut on mounting clamp, remove latch cover and install bolt with washer thru slot and into U-nut, only screw bolt into U-nut far enough to engage threads, tall leg of clamp goes toward toolbox.



1

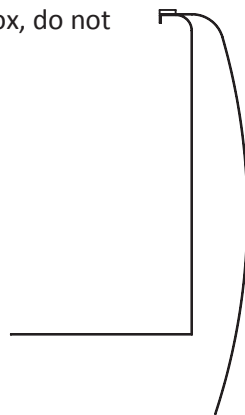
Remove the rubber plugs from the back side of the toolbox. Install the Tonneau rails to the toolbox with the #10-24 bolts snug only the first and last bolt leave the rest loose.



End of rail with hole for Tonneau is the front.

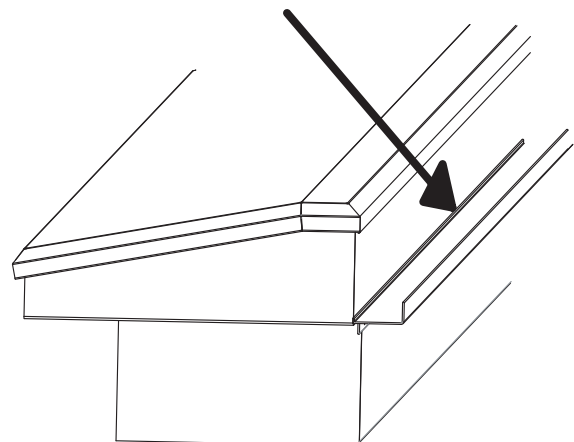
2

Cut and install the gasket/spacer on the top edge of the truck bed flush with the inside of box, do not install on tailgate.



3

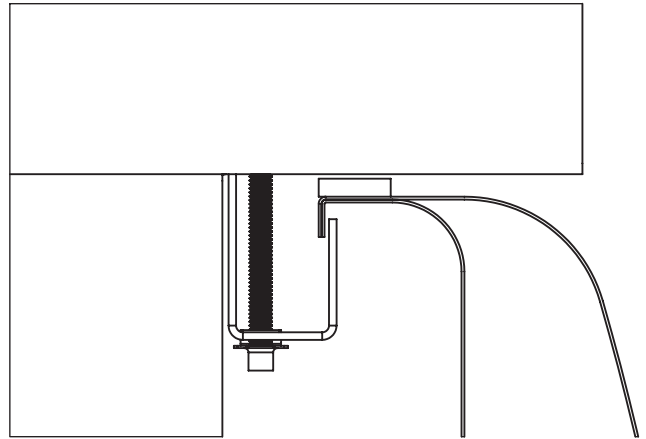
After installation is complete seal this edge of rails with silicone.



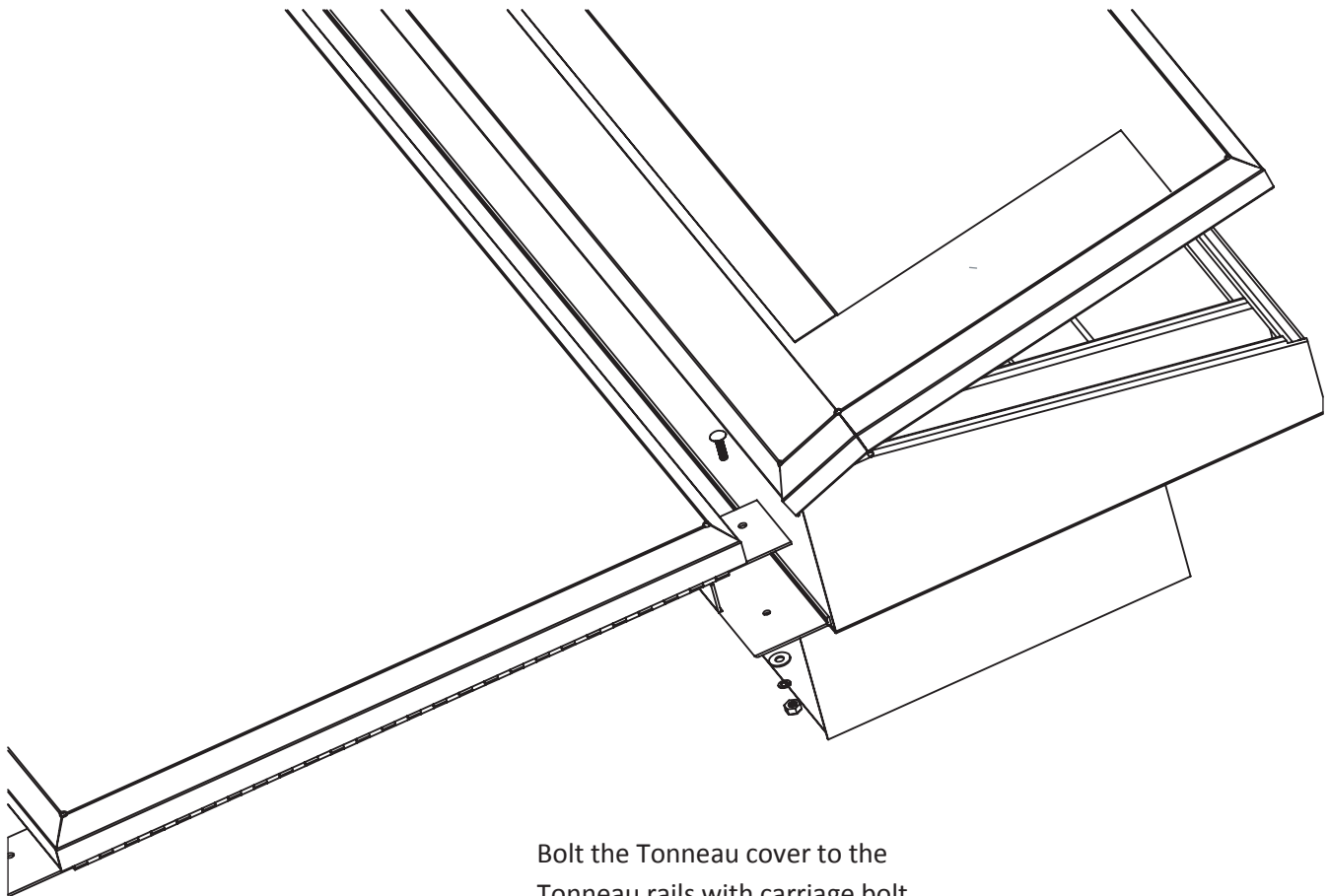
4

Installation Steps

Set toolboxes on the truck with tailgate closed, the latching assembly on the rail goes to the rear, finger tighten the front clamp bolt making sure the short leg of the clamp is under the pinch weld of the pickup bed.



5



Bolt the Tonneau cover to the Tonneau rails with carriage bolt thru the holes in the front of the rail.

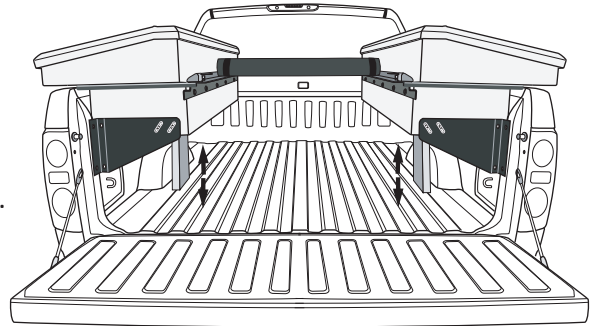
6

Installation Steps

Center assembly on truck bed, spacing between boxes must be the same front and rear for proper Tonneau operation. Snug down clamp bolts in toolbox.



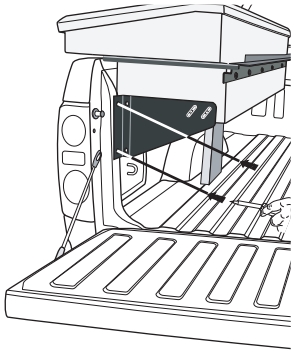
Open tailgate and using 2 x 4's and or a bottle jack level the boxes, some vehicles will require an extra layer of the 1/4" spacer/gasket in the front to level the boxes. There is extra gasket material in Tonneau to fill in any gaps.



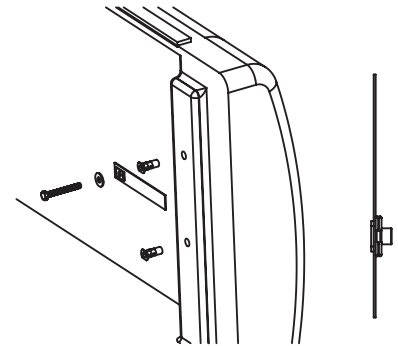
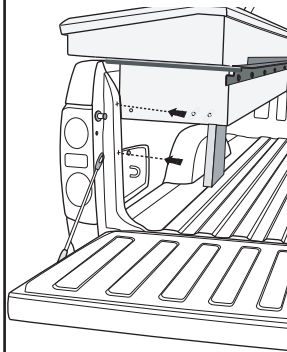
7

NOTE: Make sure tailgate will clear the boxes.

Assemble support angle to support bracket, make one left and one right assembly angle may be bolted on either way. Position assembly on toolbox and rear corner post of truck bed mark the bed and toolbox thru holes in bracket assembly.



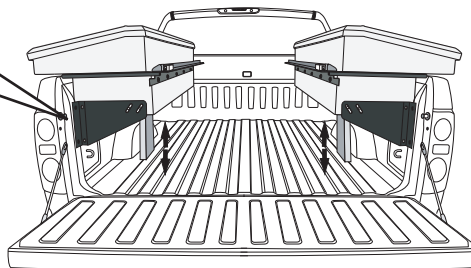
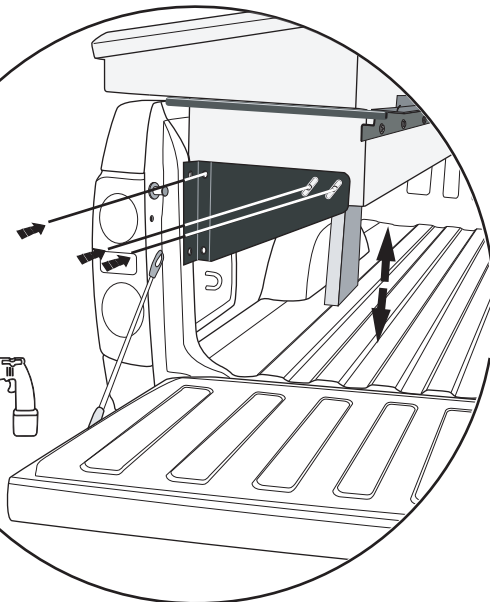
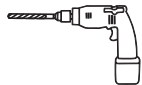
8



9

Drill 1/2" holes at the marks in the corner post. Install riv-nuts in the 1/2" gholes using the supplied wrench.

Drill



10

NOTE: Make sure tailgate will clear the boxes.

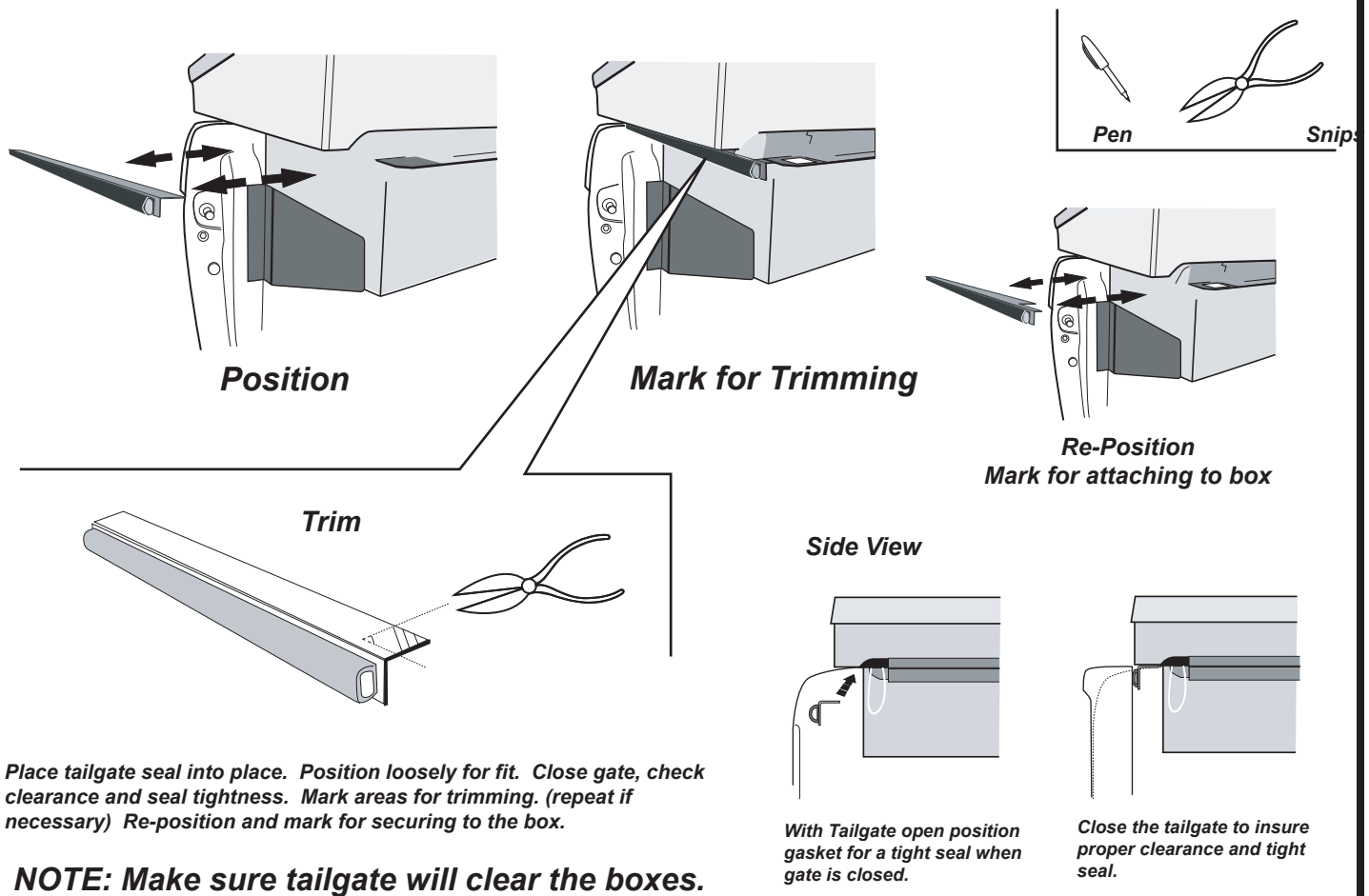
Installation Steps

Loosen the #10-24 bolts in the front of the rails, adjust the framework up or down for proper sealing retighten the bolts.

Loosen the #10-24 in the rear of the rails, adjust the framework up or down for proper sealing and for tailgate clearance, tighten all the remaining bolts.

12

The toolbox tailgate seals on some applications must be cut to length. Hold the seal under the end of the toolbox with the lid open and the tailgate shut mark the seal thru the holes in the toolbox end, drill $3/16$ " holes at the marks and bolt in the seals.



13

Inspection After Installation

1. Inspect all bolt and nuts for proper tightness.
2. After installation is complete, confirm proper operation.

Care and Cleaning

1. Wash only with mild soap & dry with a clean cloth.
2. Avoid the use of automatic "brush - style" car washes.
3. Do not use cleaning solvents of any kind.
4. Periodically check the cover tension and all components for tightness.
Refer to step 12 for cover tension adjustment.
- ⚠ 5. Do not use release cables as handles.
- ⚠ 6. Do not pull on release cables to enter truck bed.
- ⚠ 7. Do not use any part of this tonneau as a tie down.
- ⚠ 8. Do not drive with the cover un-secured.

Congratulations!

You have purchased one of the many quality Deflecta-Shield® branded products offered by Lund International, Inc. We take the utmost pride in our products and want you to enjoy years of satisfaction from your investment. We have made every effort to ensure that your product is top quality in terms of fit, durability, finish, and ease of installation.

DEFLECTA-SHIELD®
ALUMINUM PRODUCTS

Lund International, Deflecta-Shield Accessories Division
7225 North State Road 9
Howe, IN 46746
800-334-4447 • Fax 260-562-3492 • Visit us at lundinternational.com

©2010 Lund International, Inc. All rights reserved.
Deflecta-Shield® and the Deflecta-Shield® logo are trademarks of Lund International, Inc.

