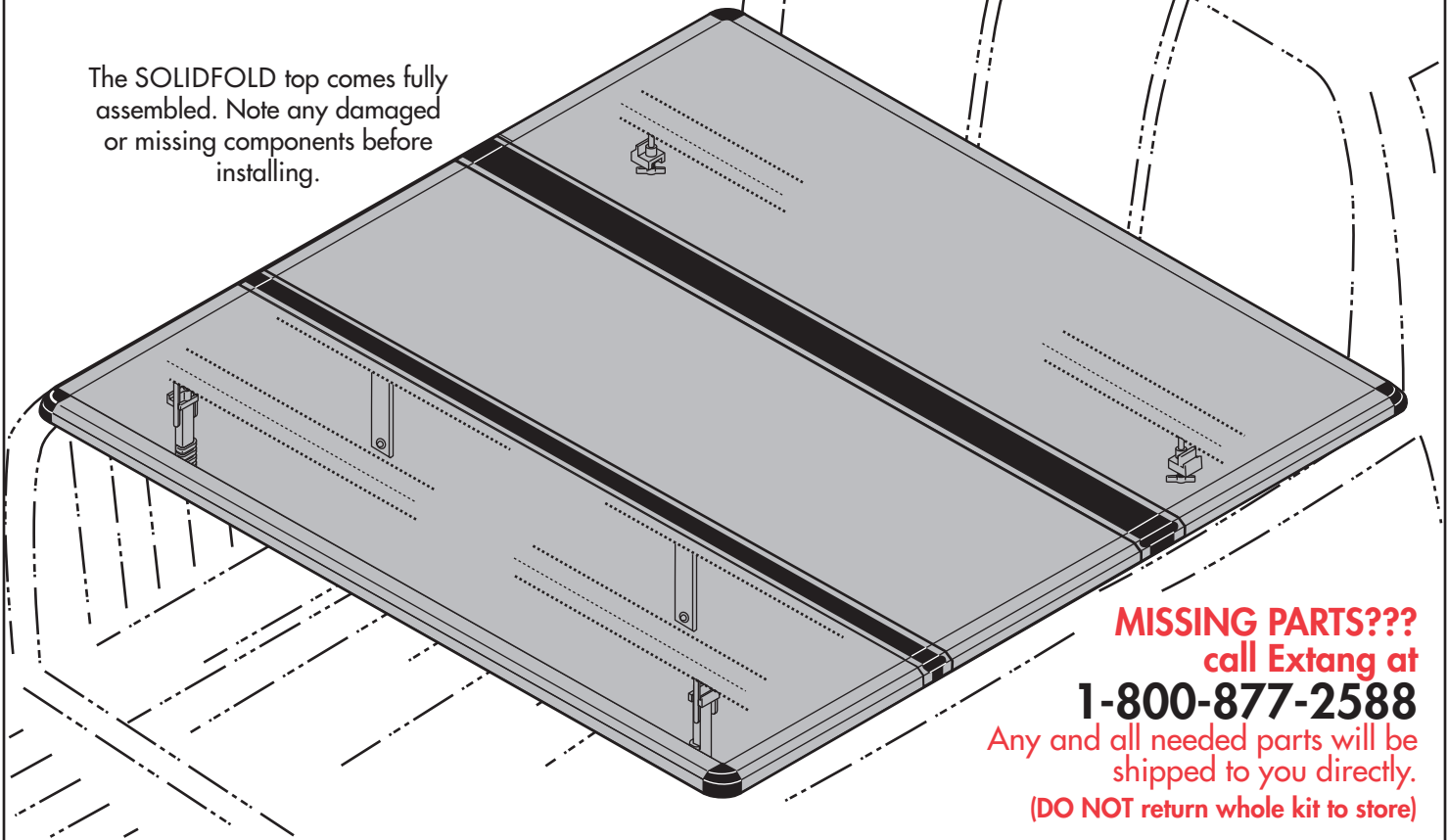


# INSTALLATION SHEET

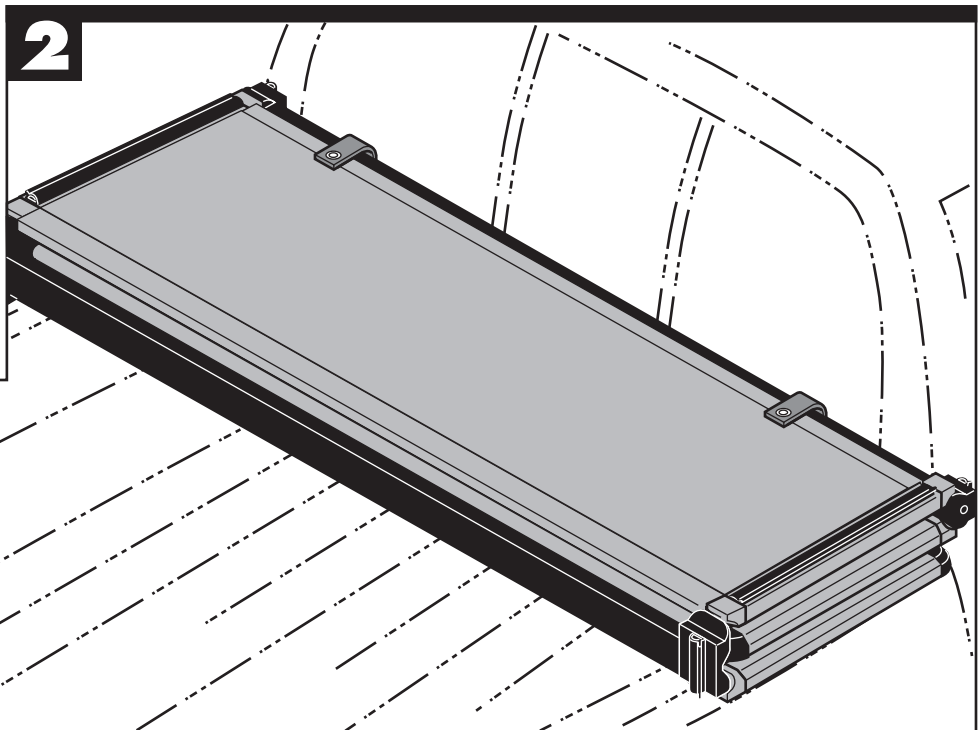
## SOLID FOLD

**extang**  
AMERICA'S BEST  
SELLING TONNEAUS

The SOLIDFOLD top comes fully assembled. Note any damaged or missing components before installing.



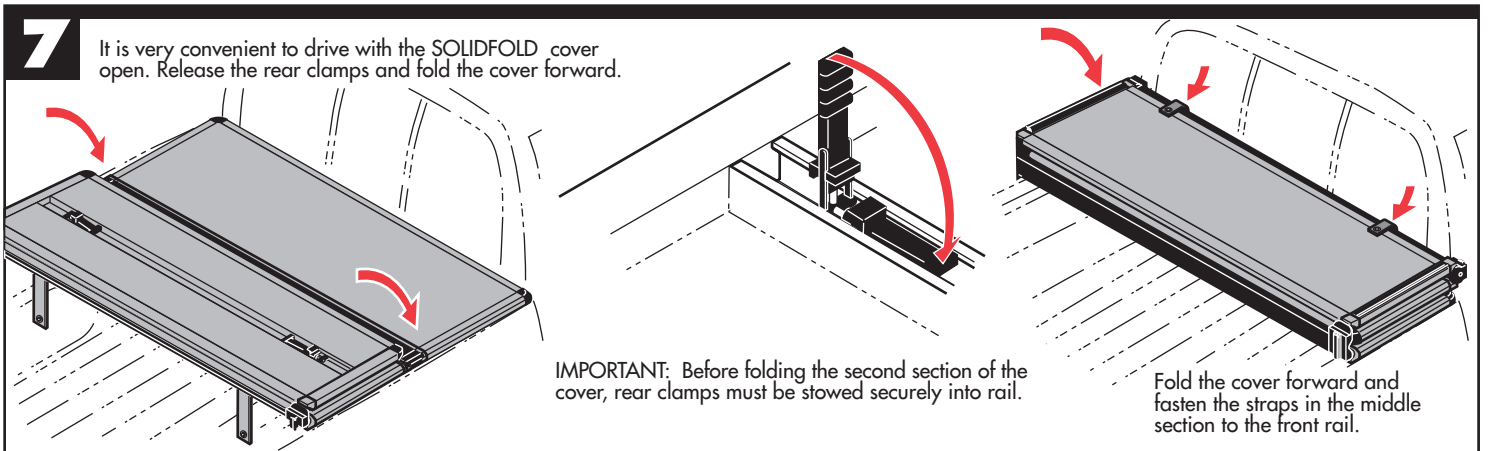
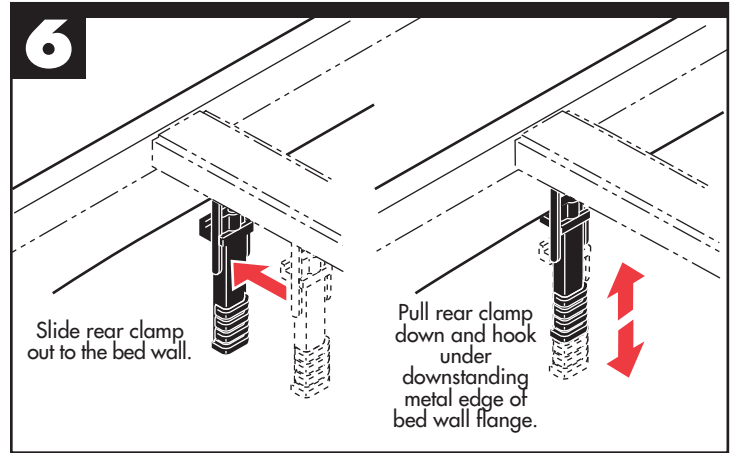
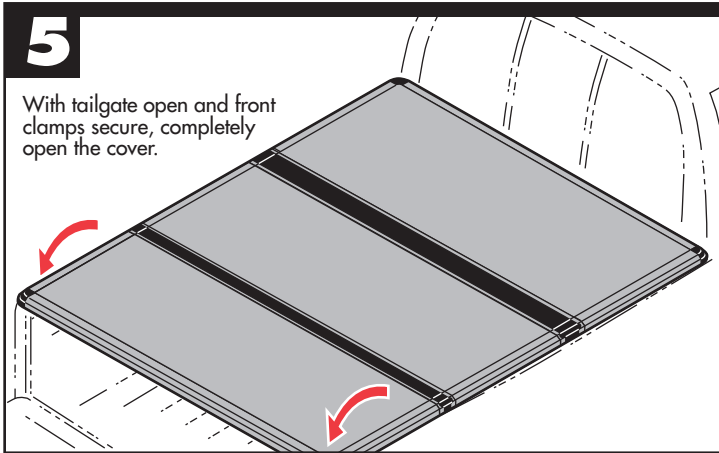
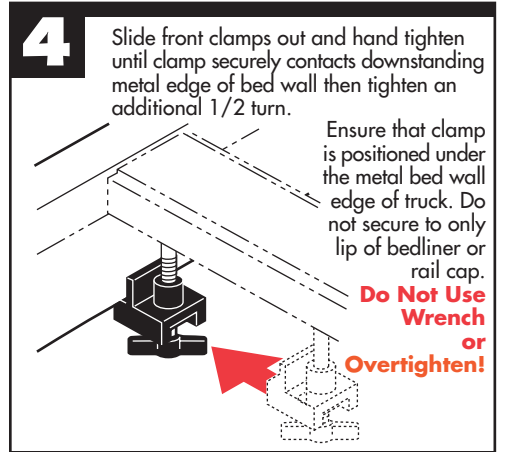
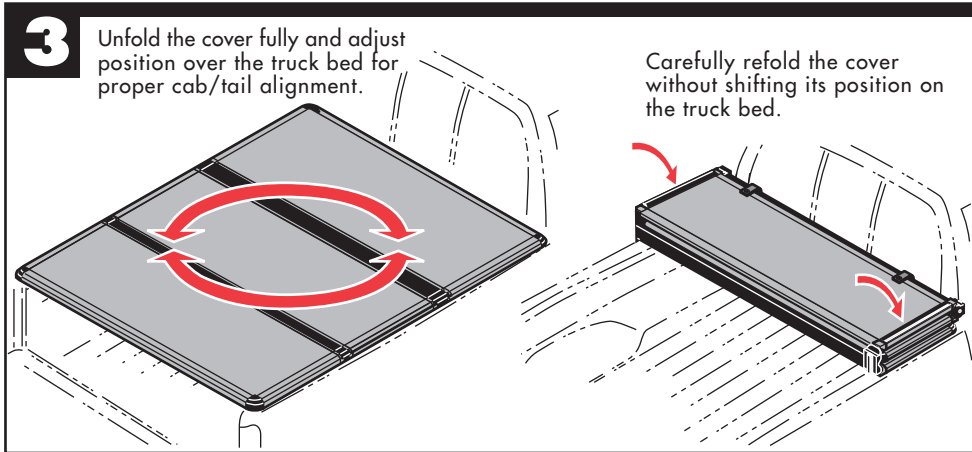
**MISSING PARTS???**  
call Extang at  
**1-800-877-2588**  
Any and all needed parts will be  
shipped to you directly.  
(DO NOT return whole kit to store)



Place assembled cover over cab  
end of truck box.

Extang Corporation  
1901 E. Ellsworth Rd.  
Ann Arbor, MI 48108  
734 677-0444, Fax: 734 677-8409

Register your warranty at:  
**www.extang.com**  
Item No. 0182-0708 RH Printed in U.S.A.



**IMPORTANT NOTICE**  
 While driving, cover must be completely flat and secure with all four clamps in the closed position or completely folded up (all panels) and secured at the cab. **DO NOT DRIVE** with cover in partially opened position.

Remove any snow or foreign matter  
 ❄ before folding cover. ❄

