



MX6064R-INST
Revised
5.17.05

2360 Boswell Road
Chula Vista, CA 91914
Phone: 619.216.1444
Fax: 619.216.1474

PRO COMP SUSPENSION

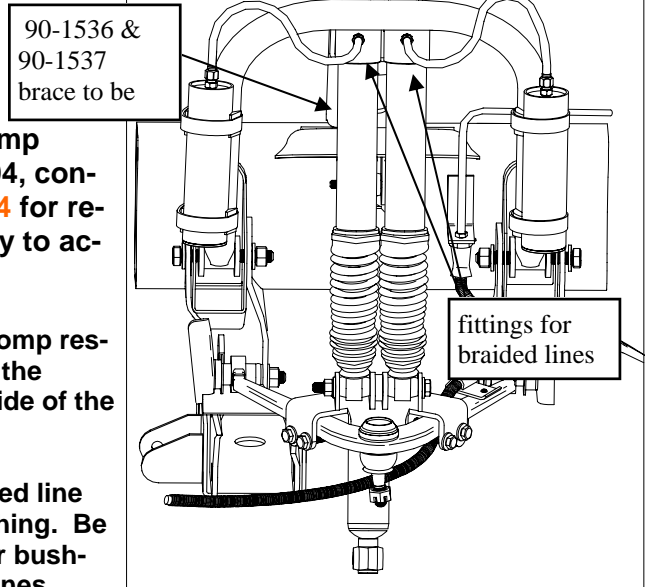
Suspension Systems that Work!

NOTICE

If installing these shocks on a Pro Comp hoop kit (51297/51299) built prior to 8/15/04, contact our tech department at (619) 216-1444 for replacement hoop braces designed specially to accommodate these shocks.

Proper orientation for mounting Pro Comp reservoir shocks MX6064R is with the fittings for the braided reservoir lines facing toward the outside of the truck.

NOTE: Make sure the fitting and the braided line have adequate space and do not contact anything. Be sure to leave enough space to compensate for bushing flex. Make sure there are no kinks in the lines.



MX6064R-INST
Revised
5.17.05

2360 Boswell Road
Chula Vista, CA 91914
Phone: 619.216.1444
Fax: 619.216.1474

PRO COMP SUSPENSION

Suspension Systems that Work!

NOTICE

If installing these shocks on a Pro Comp hoop kit (51297/51299) built prior to 8/15/04, contact our tech department at (619) 216-1444 for replacement hoop braces designed specially to accommodate these shocks.

Proper orientation for mounting Pro Comp reservoir shocks MX6064R is with the fittings for the braided reservoir lines facing toward the outside of the truck.

NOTE: Make sure the fitting and the braided line have adequate space and do not contact anything. Be sure to leave enough space to compensate for bushing flex. Make sure there are no kinks in the lines.

