



# Installation Instructions

## Dodge Ram(Gen 2) Front Winch Bumper

Product Number: A1551, A1550  
Application: '94-2002 Dodge Ram (Gen2) Heavy Duty 2500/3500

## SAFETY

### Your safety and the safety of others is very important.

- In order to help you make informed decisions about safety, we have provided installation instructions and other information.
- These instructions alert you to potential hazards that could hurt you or others.
- Please do a job safety analysis (JSA) before each task to identify potential hazards for your situation and remove/protect against them.
- You must use your own good judgment, and take your time.

**Read and understand all safety precautions and instructions before installing this product.**

THIS PRODUCT IS FOR OFFROAD USE ONLY. ALL LIABILITY FOR INSTALLATION AND USE RESTS WITH THE OWNER.

**CARELESS INSTALLATION AND OPERATION CAN RESULT IN SERIOUS INJURY OR EQUIPMENT DAMAGE.**

## Injury hazard

### Failure to observe these instructions could lead to severe injury or death.

- Always** remove jewelry and wear eye protection.
- Always** use extreme caution when jacking up a vehicle for work. Set emergency brake and use tire blocks. Locate and use the vehicle manufacturers designated lifting points. Use jack stands.
- Always** use appropriate and adequate care in lifting components into place.
- Always** insure components will remain secure during installation and operation.
- Always** wear safety glasses when installing this kit. A drilling operation will cause flying metal chips. Flying chips can cause serious eye injury.
- Always** use extreme caution when drilling on a vehicle. Thoroughly inspect the area to be drilled (on both sides of material) prior to drilling, and relocate any objects that may be damaged.
- Always** use extreme caution when cutting and trimming during fitting.
- Always** tighten all nuts and bolts securely per installation instructions.
- Always** route electrical cables carefully. Avoid moving parts, components that become hot and rough or sharp edges.
- Always** insulate and protect all exposed wiring and electrical terminals.
- Always** perform regular inspections and maintenance on mounts and related hardware.



# Installation Instructions

## Dodge Ram(Gen 2) Front Winch Bumper

Product Number: A1551, A1550  
Application: '94-2002 Dodge Ram (Gen2) Heavy Duty 2500/3500

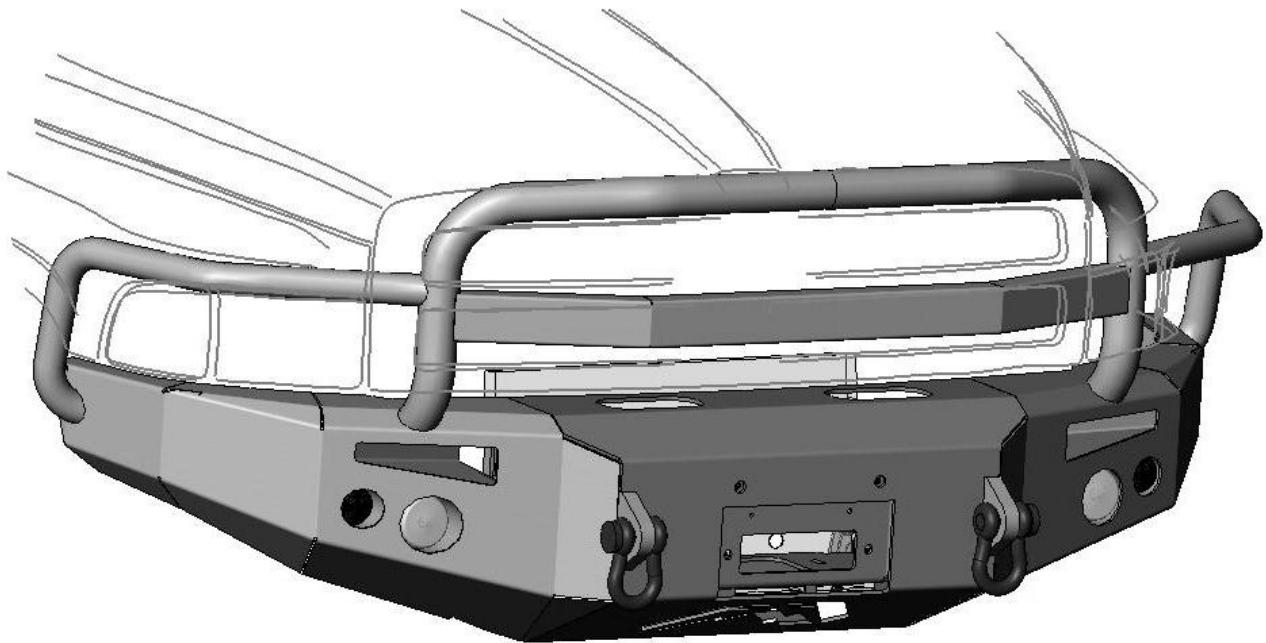
### I. Overview

Congratulations on your new purchase of the industries' best and most stylish Front Winch Bumper available for the Gen 2 Dodge Ram 2500/3500's! This Bumper has been **engineered** for strength while keeping the weight down.

Your Front Bumper designed in 3-D from digitized data, cut, fabricated, and powder coated... all in the U.S.A.

Enjoy the fit and finish of a quality Gen 2 Dodge Ram Front Winch Bumper from Fab Fours Inc.

**NOTE: Frame brackets will require drilling for 94-97 model year trucks**





# Installation Instructions

## Dodge Ram(Gen 2) Front Winch Bumper

Product Number: A1551, A1550  
Application: '94-2002 Dodge Ram (Gen2) Heavy Duty 2500/3500

### II. Tools Required

- Socket Wrench with Extension
- Breaker Bar
- 3/4" & 18mm Sockets
- 5/32" & 1/8" Allen Keys
- Flat and Phillips Head Screw Drivers
- 3/4", 7/16", & 3/8" Open End Wrench
- Floor Jack and wood block.

### III. Removal of Stock Bumper

1. Disconnect the factory fog light harness and tie up out of harm's way.
2. If you factory bumper has the horn or other items fastened to the Factory Bumper Corner Stiffeners, please remove these and relocate them to the frame.
3. Loosen the fastener on the bumper side of the corner supports and fully remove the fastener on the frame side of the corner support allowing it to rotate down and out of the way.
4. Loosen the 3 bolts (Per side) holding the bumper bracket to the frame rail, using an 18mm socket. See Image Below. Do Not Fully Remove Until Bumper is Supported!



Figure 1 – OEM Bolt Removal

5. With Bumper Supported remove the fasteners and remove by pulling down and out away from the truck.
6. Your Truck is now ready for the install of your new Fab Fours Front Bumper!



# Installation Instructions

## Dodge Ram(Gen 2) Front Winch Bumper

Product Number: A1551, A1550  
Application: '94-2002 Dodge Ram (Gen2) Heavy Duty 2500/3500

### I. Lights and Wiring Installation

1. Remove headlights following procedure in owner's manual. On each side, tap into the three turn indicator wires using supplied tap connectors (reference the wiring diagram).
2. Connect supplied turn indicator wiring harnesses to factory wires using supplied tap connectors; See below for wire color guide.
3. Replace headlights in reverse order of removal.
4. Tap into OEM fog light harness using two supplied tap connectors.
5. Connect supplied fog lamp wiring harness to tap connectors following wire color guide below.
6. Run passenger side fog lamp supply wires across bottom of bumper and tap into Fab Fours driver side fog lamp wires.
7. Install turn indicators into the plastic light insert using three self- tapping screws as shown below:

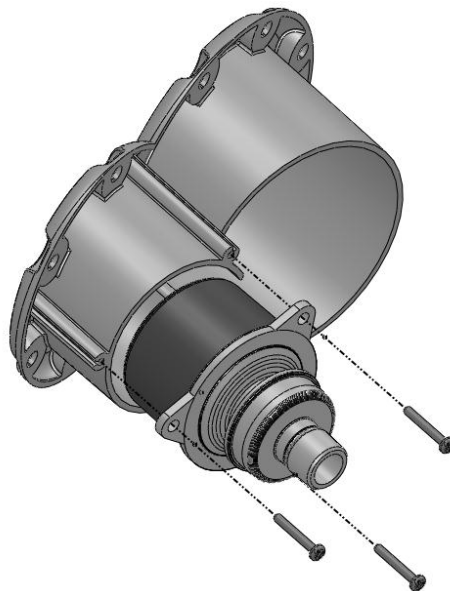


Figure 2 – Turn Signal Installation



# Installation Instructions

## Dodge Ram(Gen 2) Front Winch Bumper

Product Number: A1551, A1550  
Application: '94-2002 Dodge Ram (Gen2) Heavy Duty 2500/3500

8. Install the light inserts with turn indicators into the cutout in the bumper. Use the  $\frac{3}{4}$ " length  $\frac{1}{4}$ " stainless steel button head,  $\frac{1}{4}$ " washers and hex nuts to fasten the insert through the holes shown below:

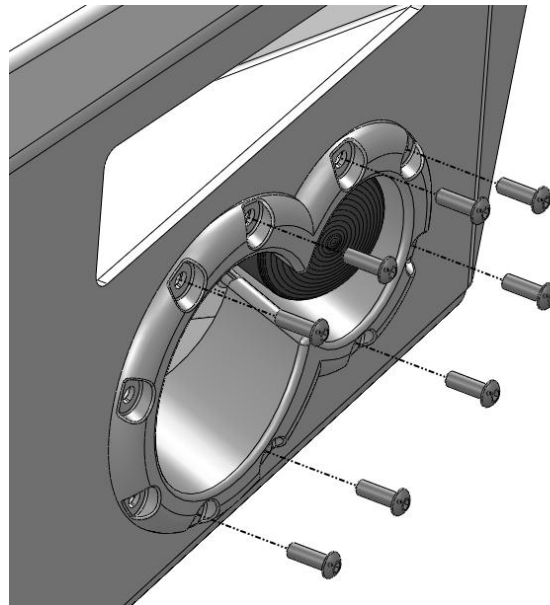


Figure 3 – Light Insert Installation

9. Install the Fab Fours fog lights onto the mounting brackets as shown below using the #8 button head screws, washers, and nylock hex nuts.

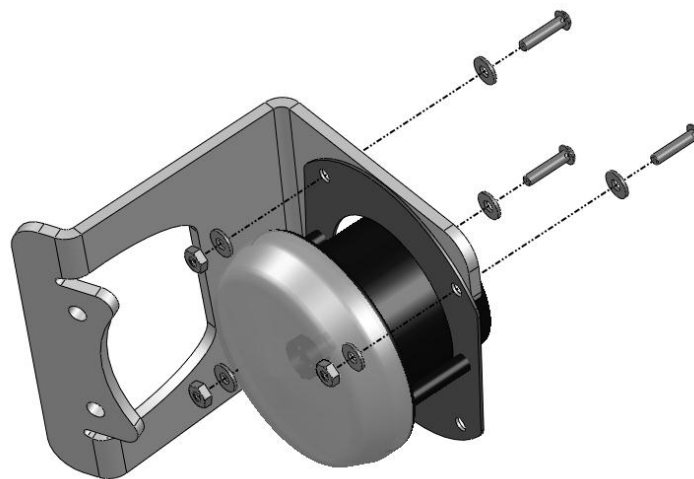


Figure 4 - Fog Light to Bracket Installation



# Installation Instructions

## Dodge Ram(Gen 2) Front Winch Bumper

Product Number: A1551, A1550  
Application: '94-2002 Dodge Ram (Gen2) Heavy Duty 2500/3500

10. Install the fog light and bracket into the bumper using the remaining two holes available in the light insert. Use the 1-1/2" length 1/4" stainless steel button heads with 1/4" washers and nylock nuts:

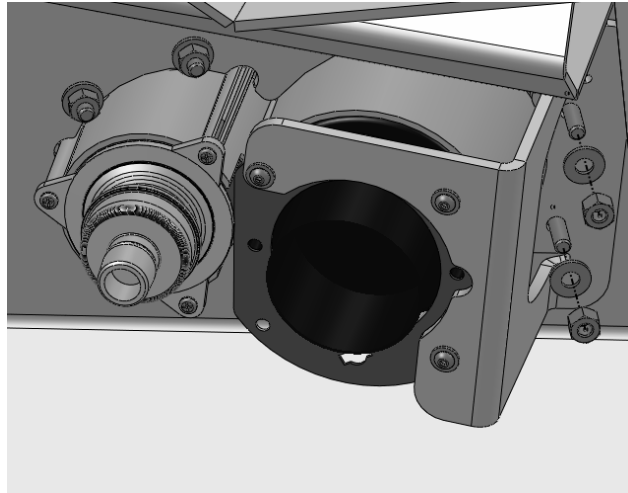
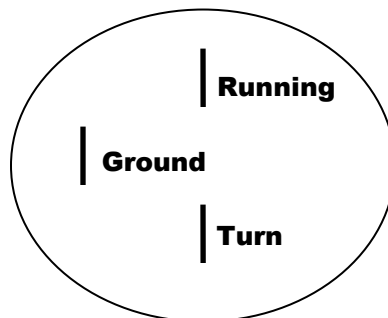


Figure 5 - Fog Light Installation

11. Repeat steps 7-10 for other side.

Do not connect wiring harnesses to lights until bumper is installed.

### Turn Indicator Connectors





# Installation Instructions

## Dodge Ram(Gen 2) Front Winch Bumper

Product Number: A1551, A1550  
Application: '94-2002 Dodge Ram (Gen2) Heavy Duty 2500/3500

### IV. Wiring Diagram

**Note:** Due to the large range of years this product applies it is required to use a test light to verify the correct wires to be used to tap into for the supplied turn indicators.

#### **Driver Side Turn Indicator at Headlight**

OEM (Running) →White Fab Fours  
OEM (Turn) →Red Fab Fours  
OEM (Ground) →Green Fab Fours

#### **Passenger Side Turn Indicator at Headlight**

OEM (Running) →White Fab Fours  
OEM (Turn) →Red Fab Fours  
OEM (Ground) →Green Fab Fours

#### **Fog Lamp**

OEM (Power) White w/Yellow →Black Fab Fours  
OEM (Ground) Black →Red Fab Fours



# Installation Instructions

## Dodge Ram(Gen 2) Front Winch Bumper

Product Number: A1551, A1550  
Application: '94-2002 Dodge Ram (Gen2) Heavy Duty 2500/3500

### V. Front Winch Bumper Installation

**NOTE: The Following Installation steps apply to the installation of the Front Winch Bumper. PLEASE READ THE ENTIRE MANUAL BEFORE ATEMPTING INSTALLATION! Ignoring these steps will increase your probability of scratching the vehicle during product Installation!**

- **Optional:** If installing winch and roller fairlead into bumper, do it at this time. Follow the winch manufacturer's instructions for installation. If you are installing a winch with a pulling capacity of 12,000 lbs. or greater, the front face mounting holes must be used.
  - If not installing a winch, a license plate may be installed onto the front face of the bumper
1. Using supplied  $\frac{1}{2}$ " hardware install mounts using the using the three 1.5" long bolts through the side of the frame rail(Per Side). Use the 2" Long bolt for the hole that passes through the mount and the trucks front cross member. The use of supplied .25" thick black shims might be needed to fill the gap between the mount and the cross-member. Do Not Fully Tighten. See Image Below.

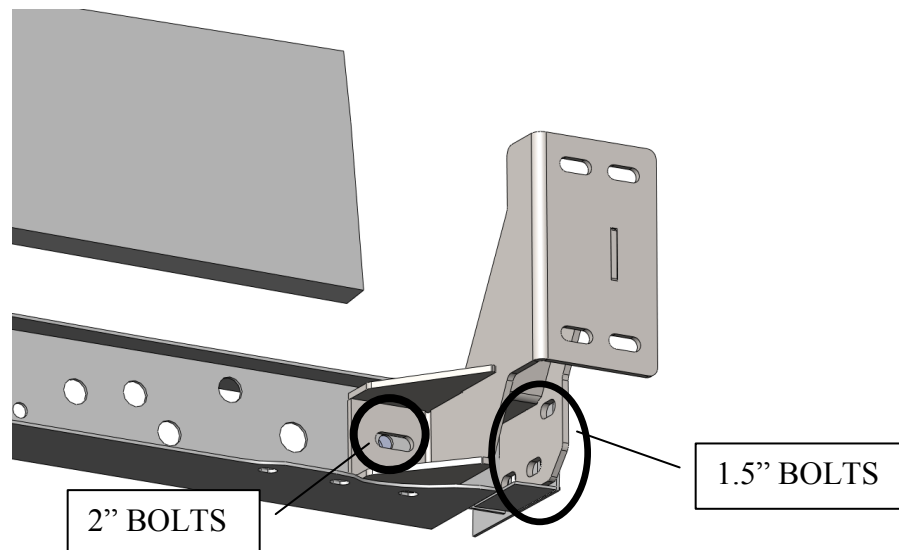


Figure 6 – Frame Bracket Orientation





# Installation Instructions

## Dodge Ram(Gen 2) Front Winch Bumper

Product Number: A1551, A1550  
Application: '94-2002 Dodge Ram (Gen2) Heavy Duty 2500/3500

2. Insert the provided stud plate assemblies through the back of the bumper mount face as shown below.

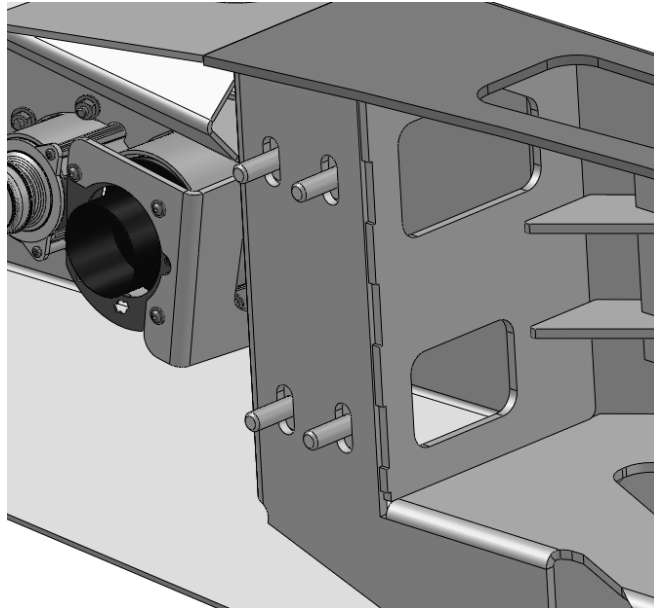


Figure 7 – Stud Plate Orientation

3. Lift the bumper and carefully insert the studs into the slots on the mounting brackets. With the bumper supported, install four nuts, washers, and lock washers per side onto the studs. **DO NOT FULLY TIGHTEN**

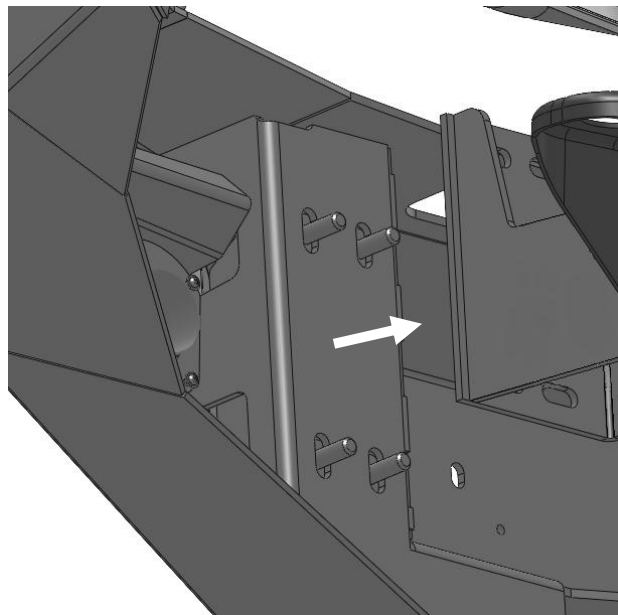


Figure 8 – Bumper Installation



# Installation Instructions

## Dodge Ram(Gen 2) Front Winch Bumper

Product Number: A1551, A1550  
Application: '94-2002 Dodge Ram (Gen2) Heavy Duty 2500/3500

4. Adjust the bumper to achieve good visual alignment as follows:
  1. Fully tighten all bracket-to-frame hardware.
  2. Adjust up/down and left/right alignment with bumper to mounting bracket hardware
5. Connect wiring harnesses to lights as shown in wiring diagram.
6. Verify proper operation of lights. **Note:** Turn indicators should be dim during “running” condition and flash bright for turn.



# Installation Instructions

## Dodge Ram(Gen 2) Front Winch Bumper

Product Number: A1551, A1550  
Application: '94-2002 Dodge Ram (Gen2) Heavy Duty 2500/3500

### VI. Maintenance/Care

- Periodically check and tighten all fasteners.
- Stripped, fractured, or bent bolts or nuts need to be replaced.
- After washing of the vehicle make sure to fully dry all surfaces

### VII. Contact Information

Fab Fours Inc.  
1312 Camp Creek Rd  
Lancaster, SC 29720

Phone (866)-385-1905  
Fax (866)-574-1424  
Email [Support@fabfours.com](mailto:Support@fabfours.com)



**More than expected... Better than expected**